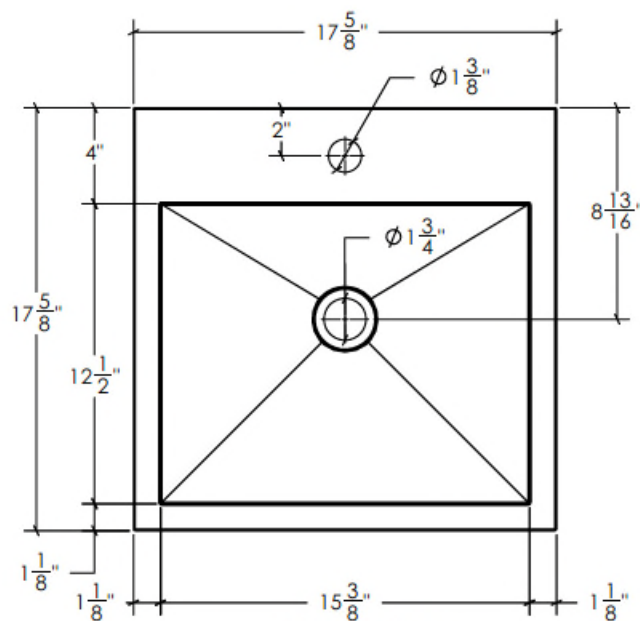




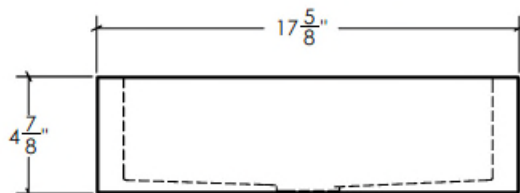
MS-005

FEATURES:

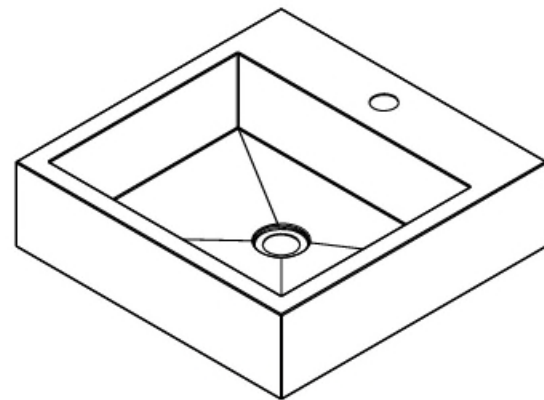
- * Sink Size: 17-5/8" x 17-5/8" x 4-7/8"
- * Material: 18 Gauge Stainless Steel
- * Wall-hung / Above Counter Sink
- * Recommended Drain: DS-003B
- * Pre-drilled Hole For Faucet
- * For Use With Standard Pop Up Drain
- * Warranty: One Year Limited Warranty



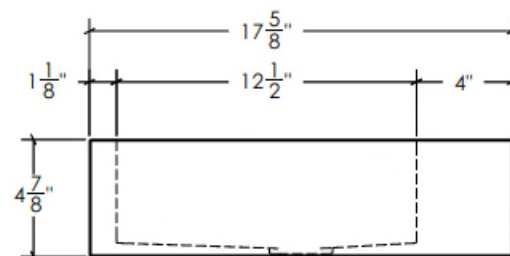
TOP VIEW



FRONT VIEW



3D VIEW



SIDE VIEW

JOB INFORMATION:

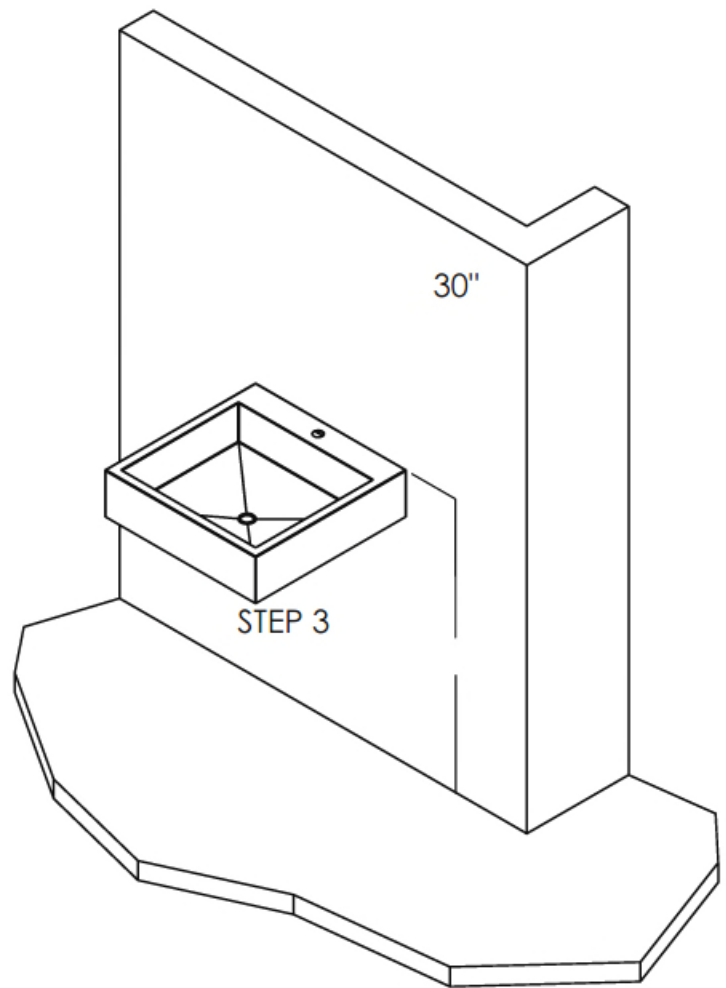
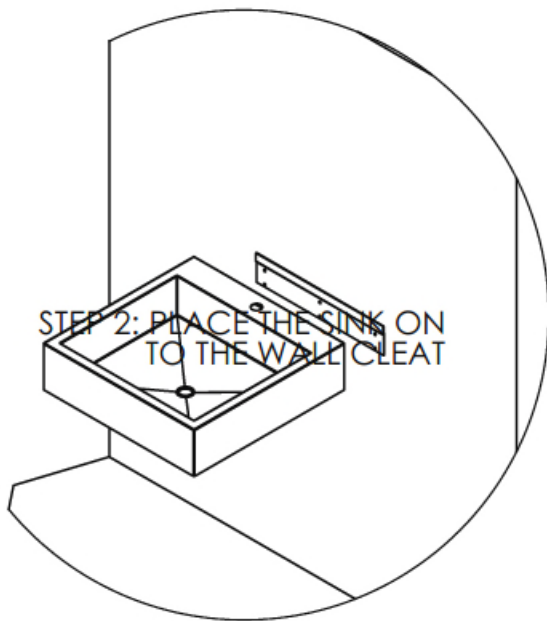
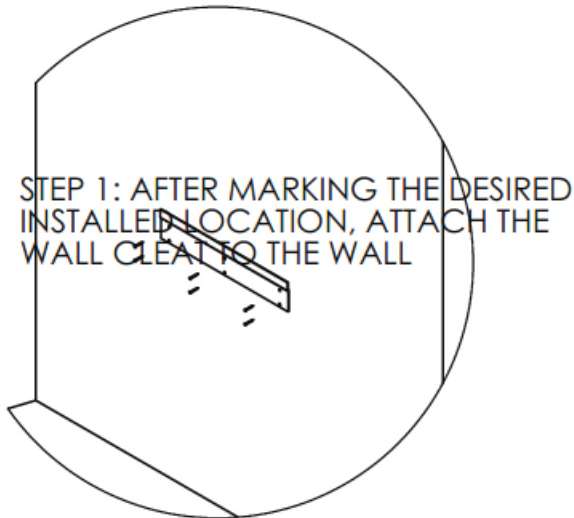
Job Name _____

Date Specified _____

Contractor _____

Specifications and drawings provided on this sheet are for illustration only. Cantrio Koncepts will not be held responsible for cutouts made without the actual product or product template.

Dimensions may vary within industry standard tolerances. Cantrio Koncepts reserves the right to make changes without notice.



JOB INFORMATION:

Job Name _____

Date Specified _____

Contractor _____

Specifications and drawings provided on this sheet are for illustration only. Cantrio Concepts will not be held responsible for cutouts made without the actual product or product template.

Dimensions may vary within industry standard tolerances. Cantrio Concepts reserves the right to make changes without notice.