



FVN8119

ALLIER

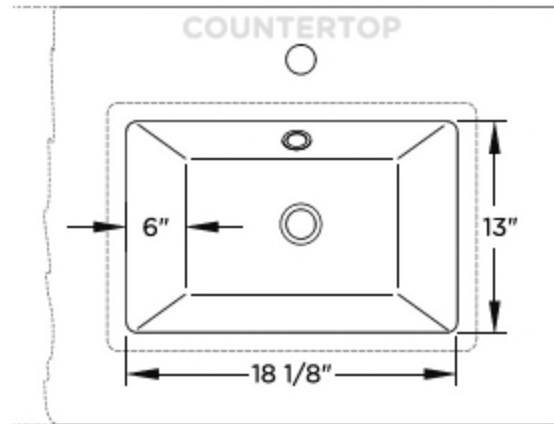
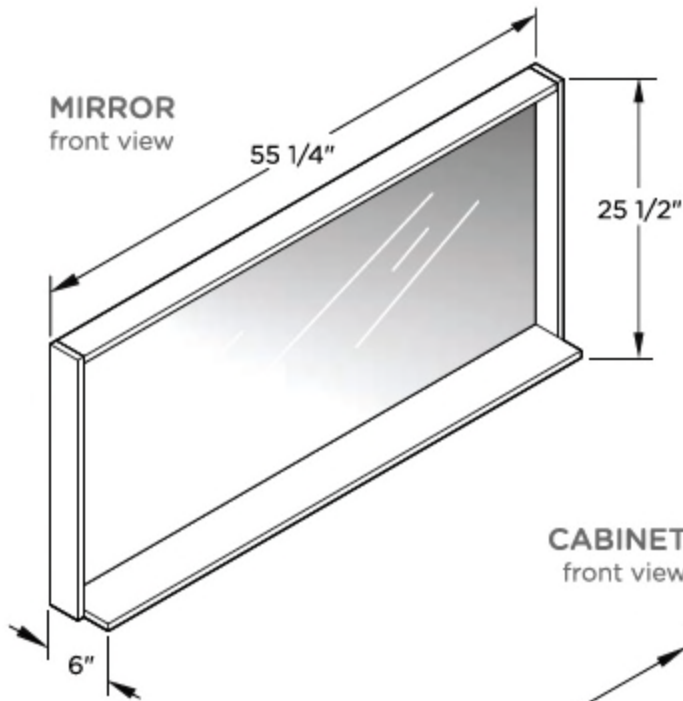
INSTALLATION GUIDE

CONTENTS:

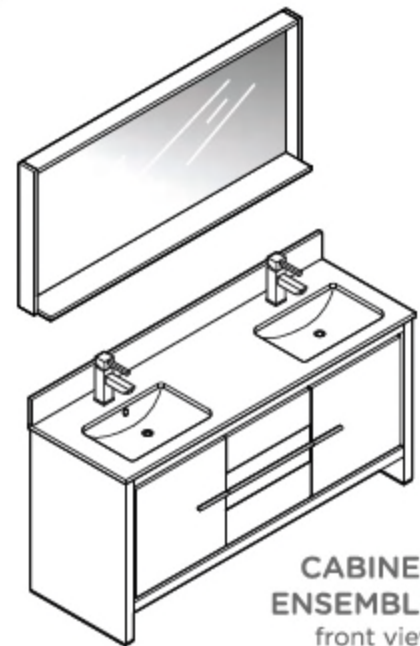
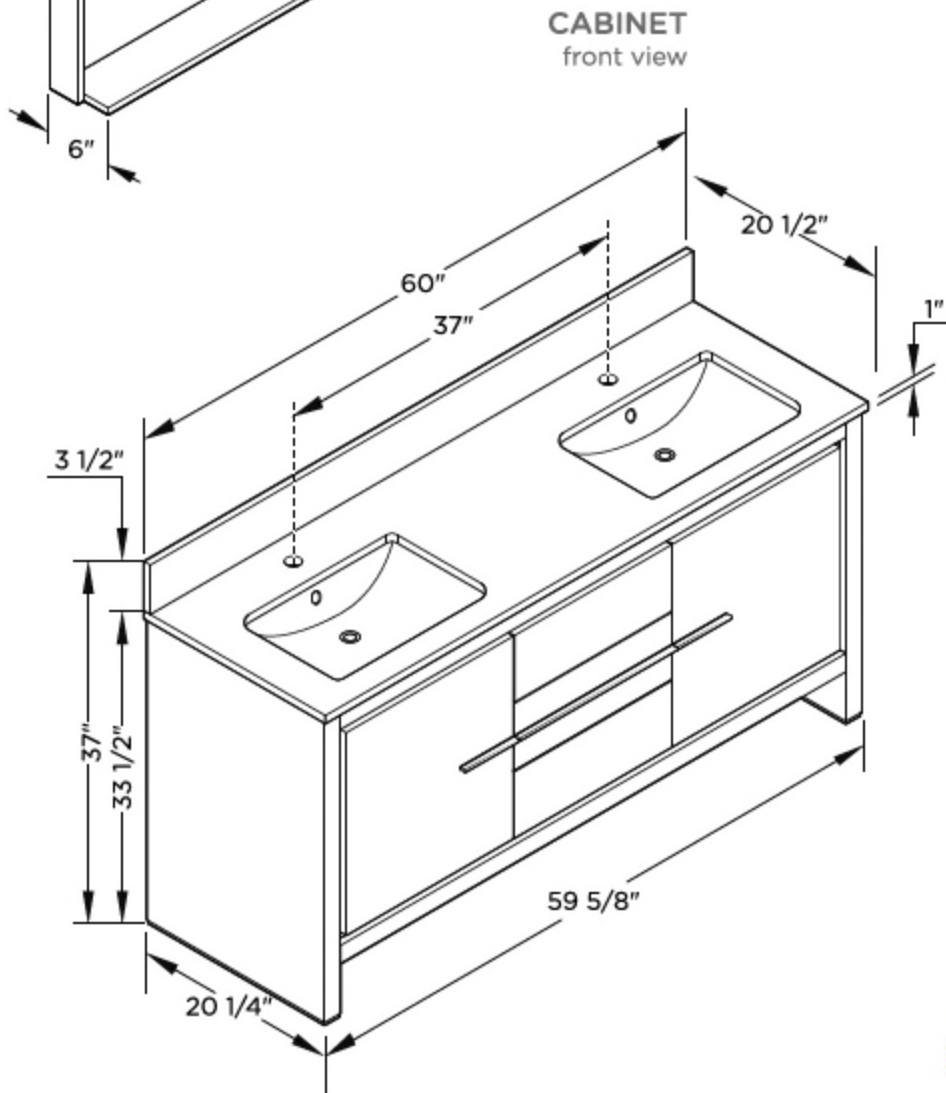
Cabinet.....(FCB8119)	PAGE 3
Sink.....(FVS8119)	PAGE 3
Mirror.....(FMR8119)	PAGE 2
Countertop.....(FCT8119)	PAGE 4



FVN8119
ALLIER
INSTALLATION GUIDE



SINK
top view



NOTE: ALL DIMENSIONS & SPECIFICATIONS ARE APPROXIMATE AND SUBJECT TO CHANGE WITHOUT NOTICE.

kitchensource.com

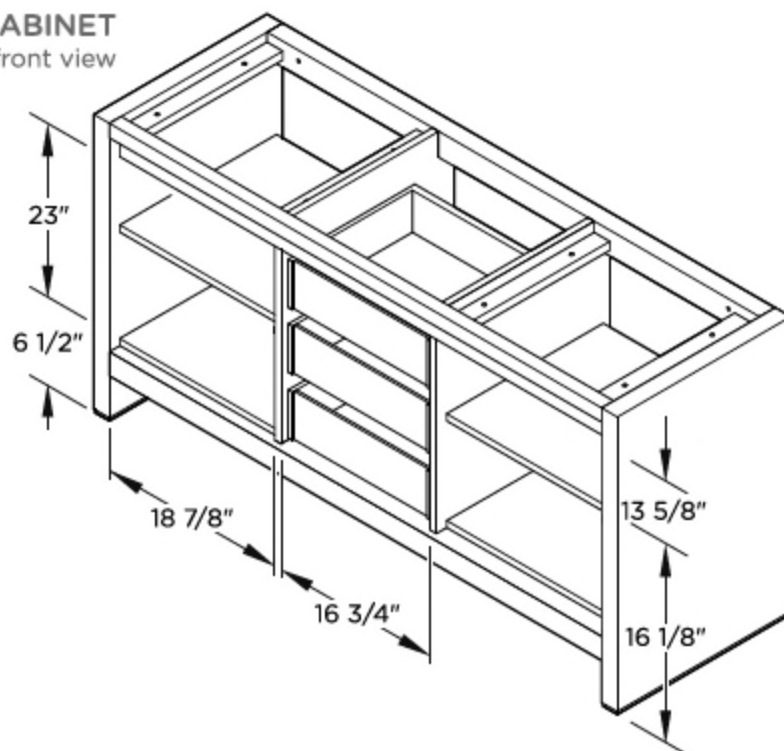
1.800.667.8721



TOOLS FOR ASSEMBLY

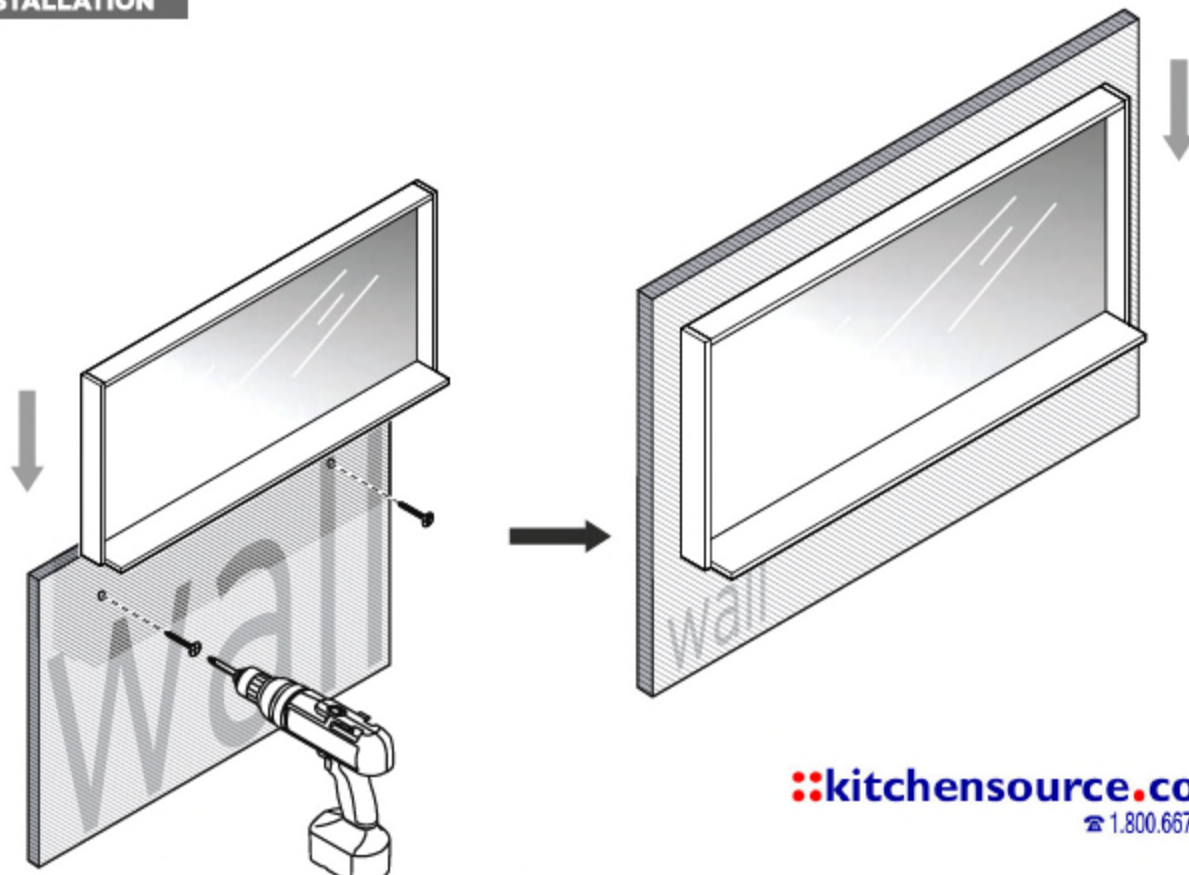


CABINET front view



NOTE: ALL DIMENSIONS & SPECIFICATIONS ARE APPROXIMATE AND SUBJECT TO CHANGE WITHOUT NOTICE.

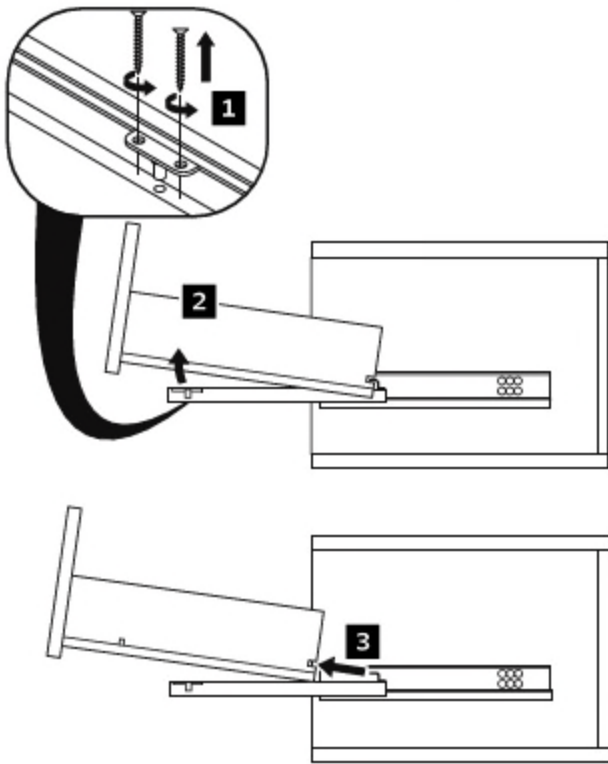
MIRROR INSTALLATION



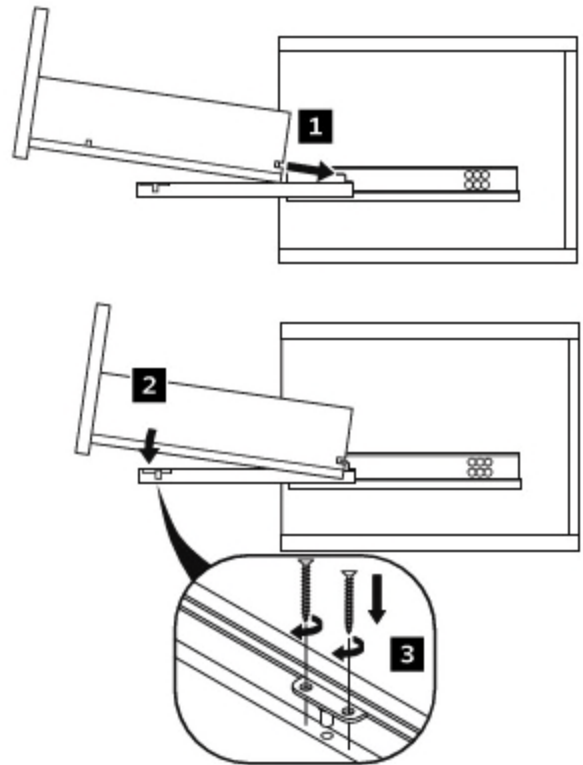
kitchensource.com
1.800.667.8721

DRAWER REMOVAL & INSTALLATION

REMOVAL



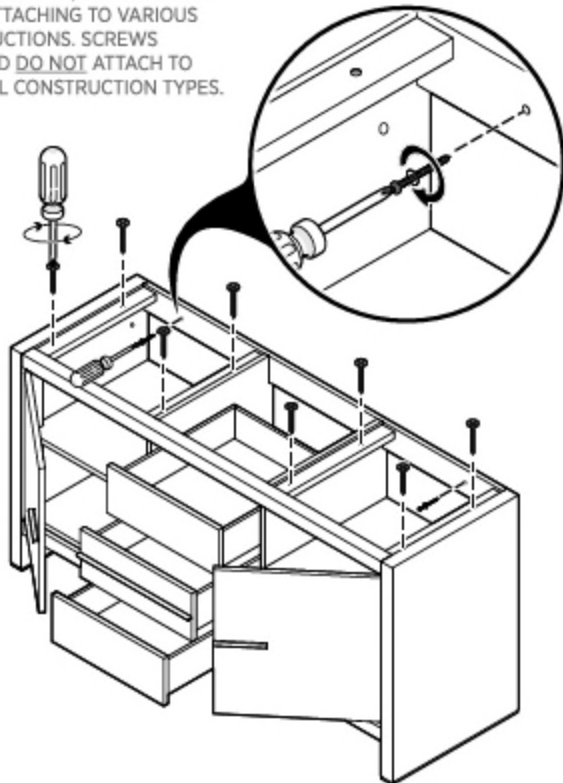
INSTALLATION



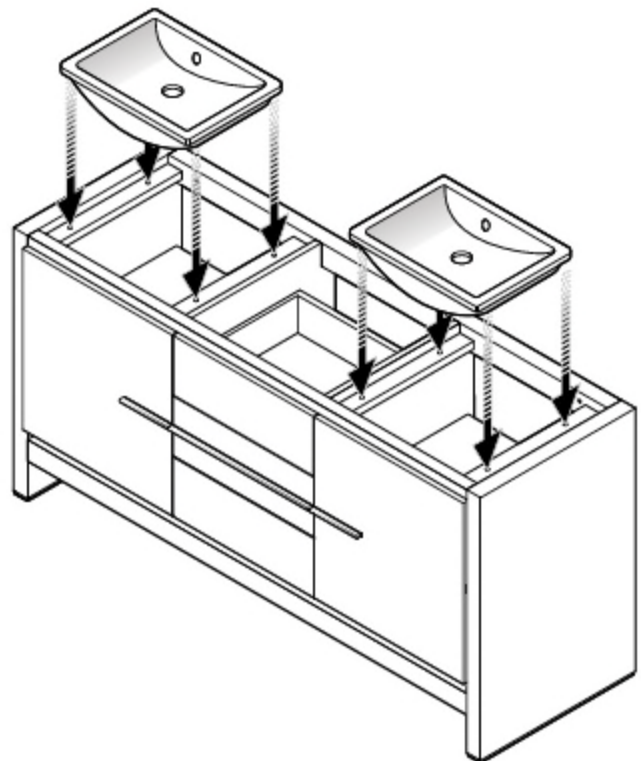
1 Attach screws with the screwdriver

IMPORTANT:

CONSULT AN EXPERT FOR THE PROPER SCREWS/BOLTS TO USE WHEN ATTACHING TO VARIOUS CONSTRUCTIONS. SCREWS PROVIDED DO NOT ATTACH TO ALL WALL CONSTRUCTION TYPES.



2 Install both sinks



FVN8119

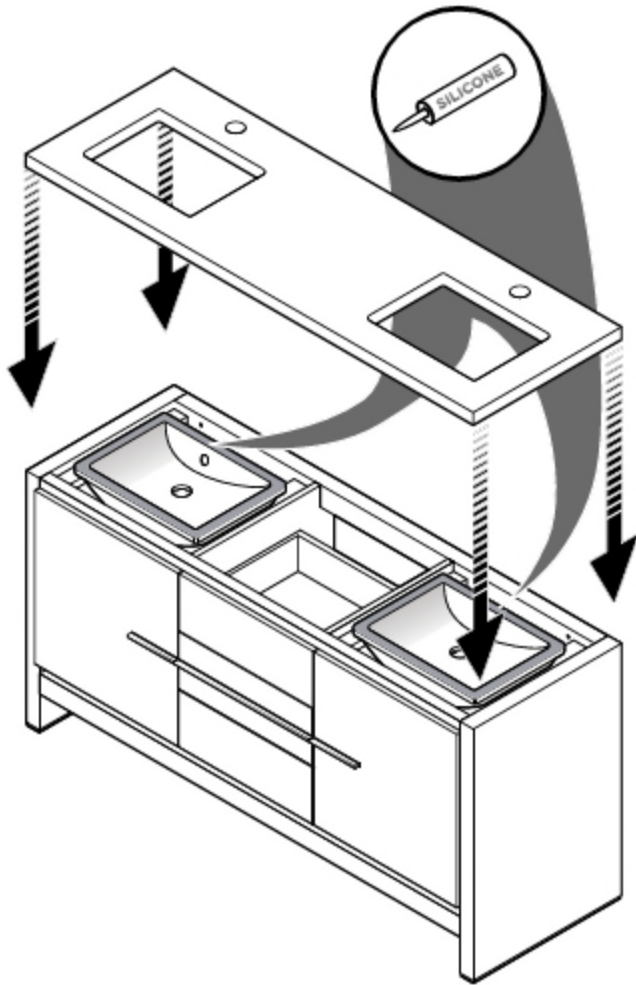
ALLIER

INSTALLATION GUIDE

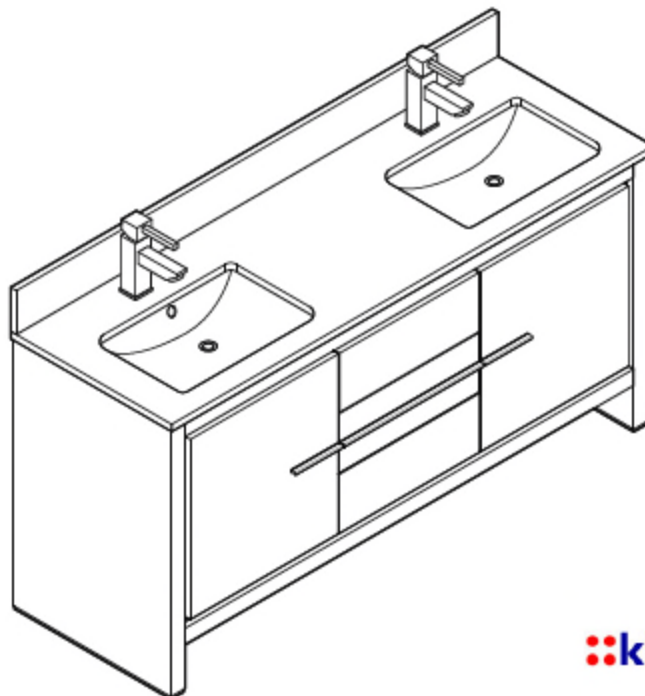
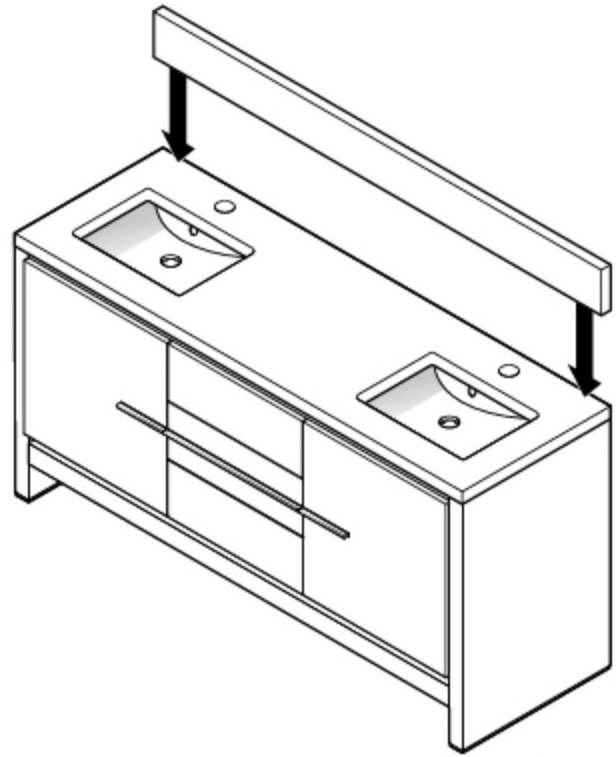
PAGE 3

3

Apply silicone and install countertop

**4**

Install backsplash



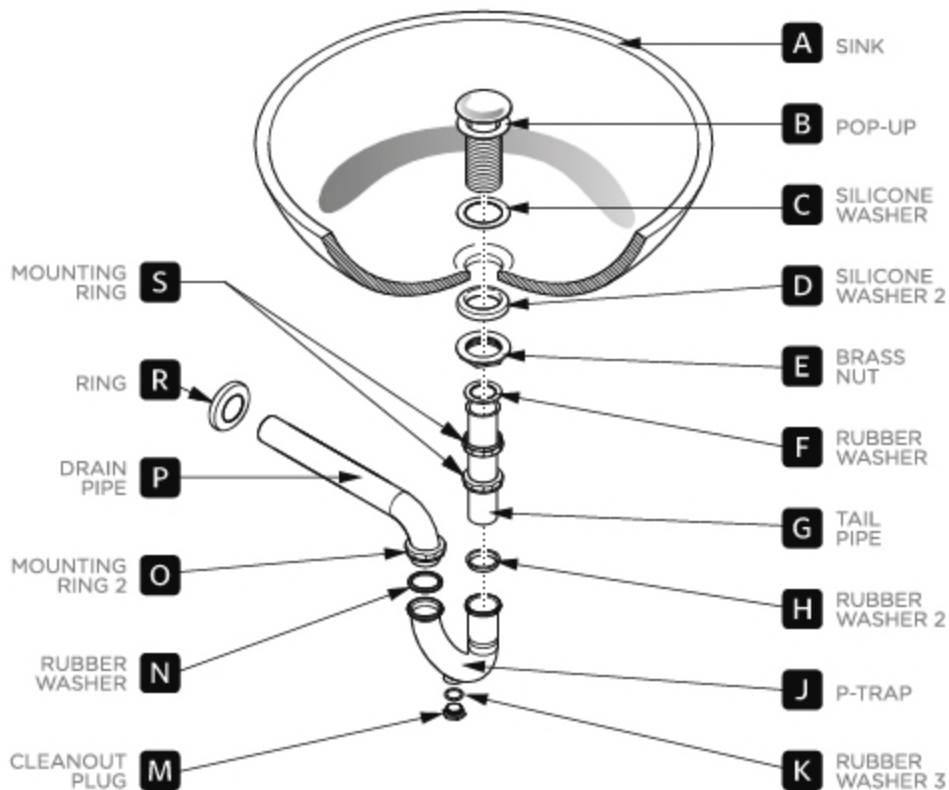
∴kitchensource.com
☎ 1.800.667.8721

**FVN8119****ALLIER****INSTALLATION GUIDE**

PAGE 4

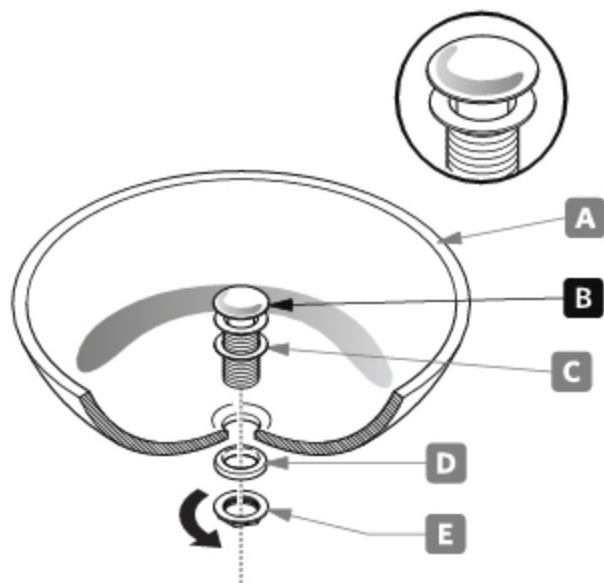
P-TRAP & POP-UP INSTALLATION INSTRUCTIONS

Your item may appear slightly different from the illustration.



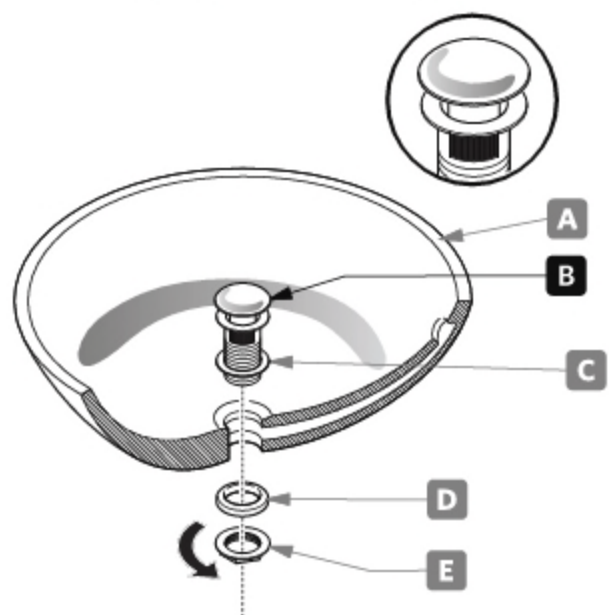
POP-UP INSTALLATION

FOR SINKS
WITHOUT OVERFLOW



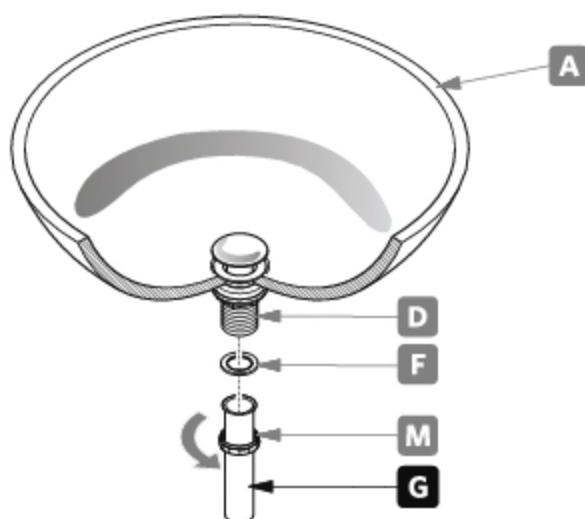
OR

FOR SINKS
WITH OVERFLOW

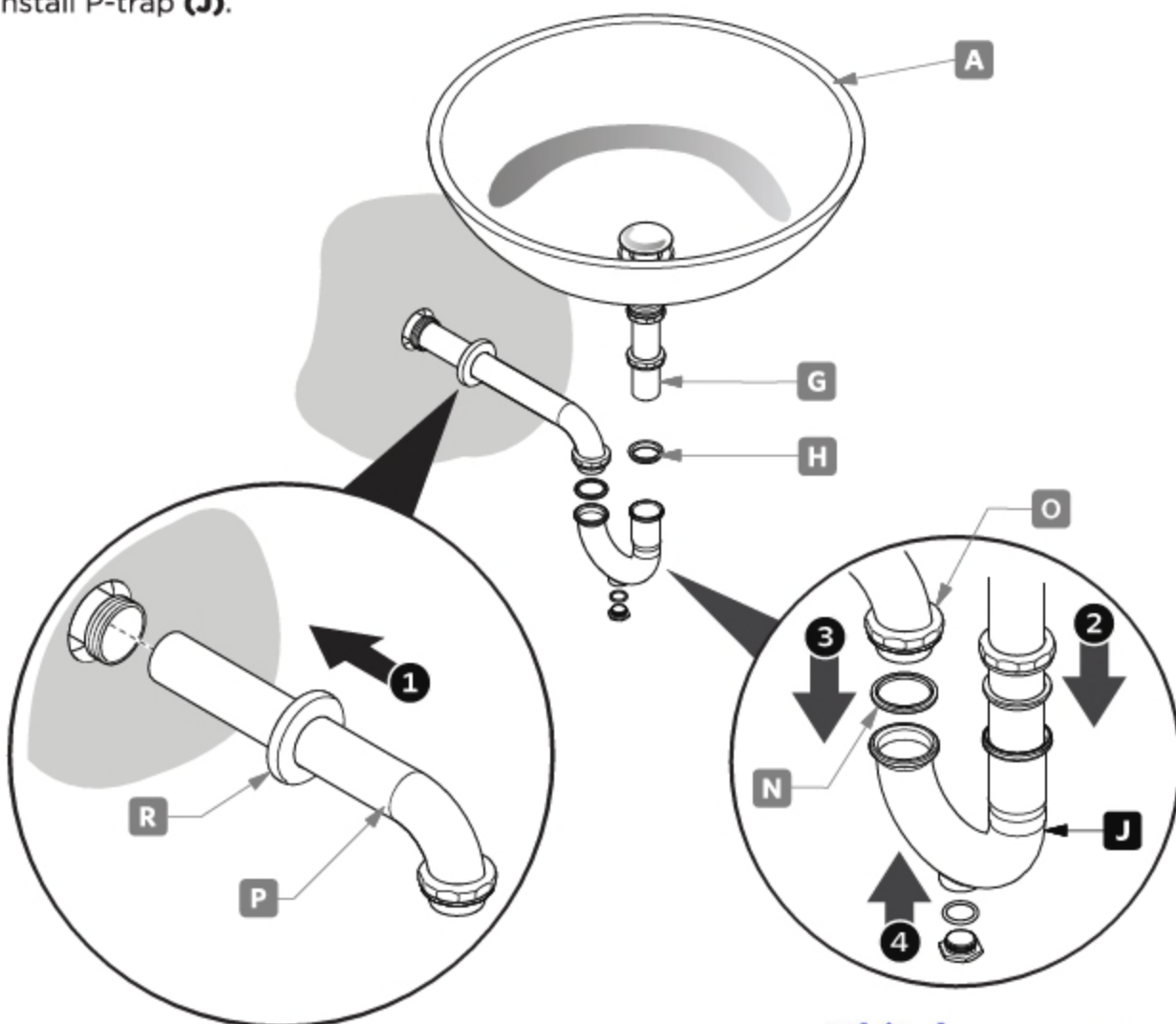


P-TRAP INSTALLATION

1 Install tail pipe **(G)**.



2 Install P-trap **(J)**.



kitchensource.com
1.800.667.8721

