

IMPORTANT POINTS

Prior to beginning installation, turn off the cold and hot water lines and open the hot and cold knobs on the old faucet to release build-up pressure.

When installing your new faucet, turn the connector nuts finger-tight, then use one wrench to anchor the fitting and a second wrench to tighten the nut one additional turn. Connections that are too tight will reduce the integrity of the system. Wrap all threaded connections with Teflon tape available at your local hardware or plumbing supply store. Always wrap in a clockwise direction.

All installations can vary depending on how your previous faucet was installed. Not all necessary supplies to install your faucet are included, however, they are available wherever plumbing supplies are sold.

POINTS IMPORTANTS

Avant de procéder à l'installation, coupez les arrivées d'eau chaude et d'eau froide et ouvrez les manettes d'eau chaude et d'eau froide de l'ancien robinet pour libérer la pression accumulée.

Lorsque vous installez un nouveau robinet, tournez les écrous de raccord à la main, puis utilisez une clé pour fixer l'équipement et une autre clé pour serrer l'écrou d'un tour supplémentaire. Si les raccords sont trop serrés, l'intégrité du système sera réduite. Enroulez toutes les raccords filetés à l'aide de ruban en téflon disponible dans votre magasin d'équipement et de matériaux de plomberie local. Enroulez toujours les raccords dans le sens des aiguilles d'une montre.

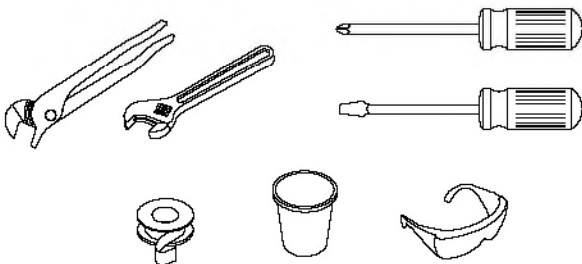
Toutes les installations peuvent varier en fonction de la façon dont votre ancien robinet a été installé. Les éléments nécessaires à l'installation de votre robinet ne sont pas tous inclus. Cependant, ils sont disponibles dans tout magasin de plomberie.

PUNTOS IMPORTANTES

Antes de comenzar con la instalación, cierre las cañerías de agua fría y agua caliente y abra los pasos de agua fría y agua caliente del grifo viejo para liberar la presión acumulada.

Quando instale su nuevo grifo, ajuste las tuercas de la conexión con los dedos, después utilice una llave para sujetar el accesorio y una segunda llave para ajustar la tuerca una vuelta más. Ajustar demasiado la conexión disminuye la integridad del sistema. Envuelva todas las conexiones roscadas con cinta de teflón. Puede comprar la cinta en su tlapalería o tienda de plomería locales. Siempre envuélvalas en el sentido de las agujas del reloj. Cada instalación puede variar según la manera en la cual haya estado instalado su grifo anterior. Si bien no se incluyen todos los recursos necesarios para instalar su grifo, puede adquirirlos donde se vendan productos de plomería.

TOOLS NEEDED/OUTILS NÉCESSAIRES/HERRAMIENTAS NECESARIA



NIKO VESSEL BATHROOM FAUCET NIKO ROBINET DE SALLE DE BAINS NIKO GRIFO DE BAÑO



This bathroom faucet is cUPC, NSF-61, AB1953 and WaterSense certified by IAPMO, and is CEC and ADA Compliant.

Ce robinet de salle de bain est cUPC, NSF-61, AB1953 et certifié WaterSense par l'IAPMO, et est conforme aux normes CEC et ADA. Este grifo para baño es CUPC, NSF-61, AB1953 y WaterSense certificado por IAPMO, y cumple con CEC y ADA.

SAFETY TIPS

If you use soldering for the installation of the faucet, the seats, cartridges and washers will have to be removed before using flame. Otherwise, warranty will be void on these parts. Protect your eyes with safety glasses when cutting or soldering water supply lines. Cover your drain to avoid losing parts.

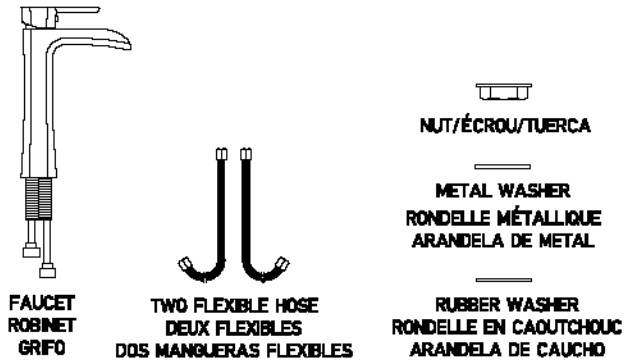
MESURES DE PRÉCAUTION

Si vous utilisez la soudure pour l'installation du robinet, les sièges, les cartouches et les rondelles devront être retirés avant d'utiliser la flamme. Sinon, la garantie sera annulée sur ces pièces. Protégez vos yeux avec des lunettes de sécurité lorsque vous coupez ou soudez des conduites d'eau. Couvrez votre drain pour éviter de perdre des pièces.

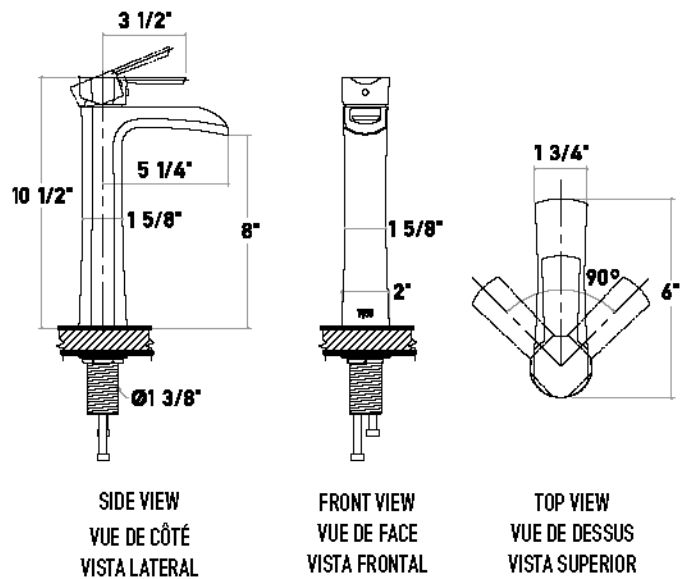
CONSEJOS DE SEGURIDAD

Si usa soldadura para la instalación del grifo, los asientos, cartuchos y arandelas deberán quitarse antes de usar la llama. De lo contrario, la garantía quedará anulada en estas partes. Proteja sus ojos con gafas de seguridad al cortar o soldar líneas de suministro de agua. Cubra su desagüe para evitar perder partes.

**PACKAGE CONTENTS/CONTENU DE L'EMBALLAGE/
CONTENIDO DEL PAQUETE**

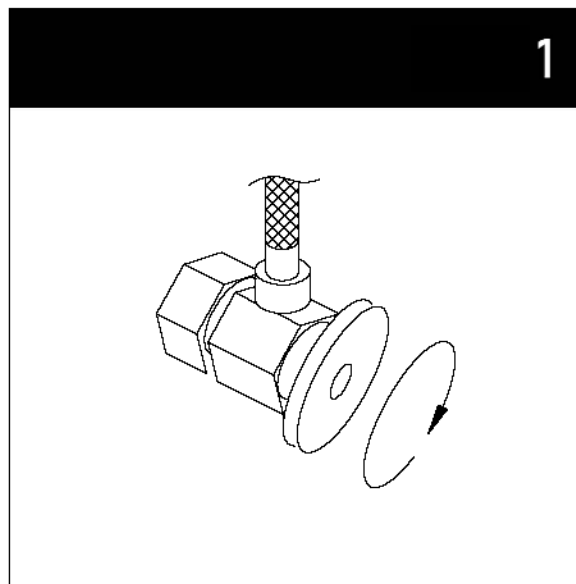


MEASUREMENTS/DES MESURES/MEDICIONES



INSTALLATION/INSTALLATION/INSTALACIÓN

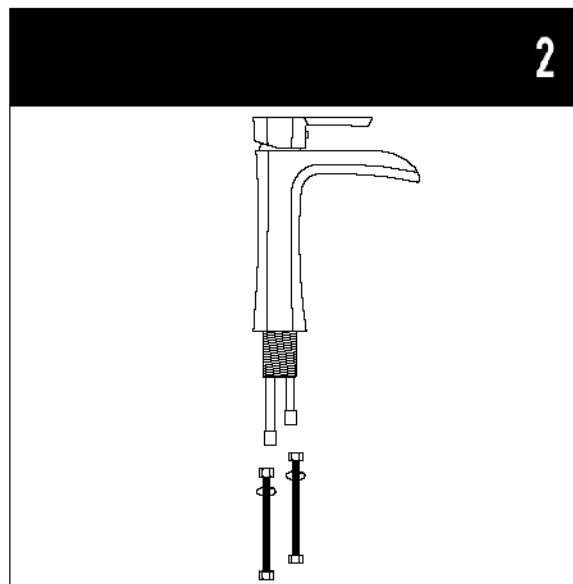
NOTE: Installation must be done by a qualified, licensed plumber./REMARQUE: L'installation doit être effectuée par un plombier qualifié et agréé./NOTA: La instalación debe ser realizada por un plomero con licencia calificado.



1. Shut off water supply. Remove old faucet and flexible hoses. Clean sink surface in preparation for the new faucet. Flush water connection at home to make sure no debris is stuck in the line.

1. Coupez l'arrivée d'eau. Retirez l'ancien robinet et les anciens flexibles. Nettoyez la surface du lavabo en vue de l'installation du nouveau robinet. Rincez avec de l'eau pour vous assurer qu'aucun débris n'est coincé dans le conduit.

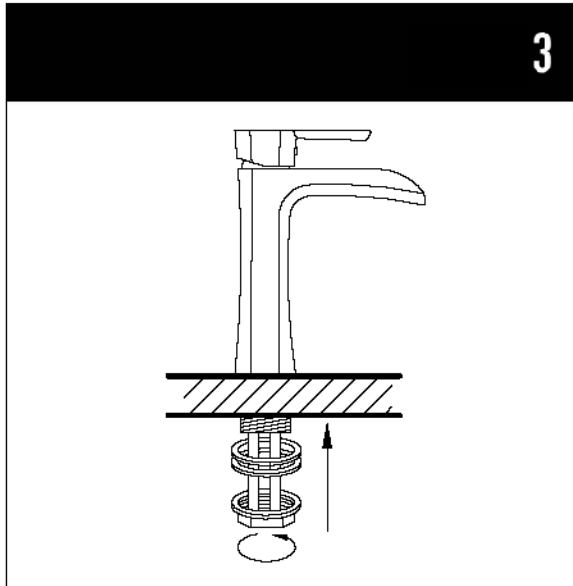
1. Cierre el suministro del agua. Quite el grifo viejo y las mangueras flexibles. Limpie la superficie del lavabo para prepararlo para el nuevo grifo. Enjuague con agua la conexión doméstica para asegurarse de que no queden trabados escombros en la cañería.



2. Connect flexible hoses to the brass pipes.

2. Branchez les flexibles sur les tuyaux en laiton.

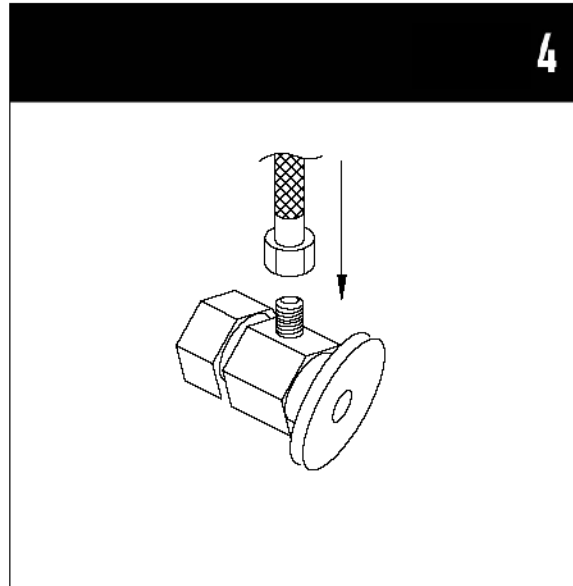
2. Conecte las mangueras flexibles a las cañerías de bronce.



3. Place new faucet in the position on the sink. From under the sink, put rubber washer, metal washer and thread nut onto the pin. Tighten nut.

3. Positionnez le nouveau robinet sur le lavabo. Depuis le dessous du lavabo, placez une rondelle en caoutchouc, une rondelle métallique et un écrou fileté sur l'axe. Serrez l'écrou.

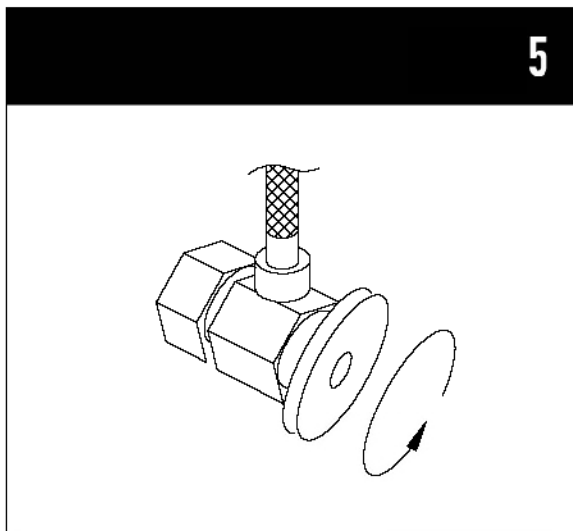
3. Coloque el nuevo grifo en su posición sobre el lavabo. Desde debajo del lavabo, coloque la arandela de caucho, la arandela de metal e inserte la tuerca en el vástago. Ajuste la tuerca.



4. Connect female end of flexible hoses to the cold and hot water supply.

4. Branchez l'extrémité femelle des flexibles sur l'arrivée d'eau chaude et d'eau froide.

4. Conecte el componente hembra de las mangueras flexibles al suministro de agua fría y agua caliente.

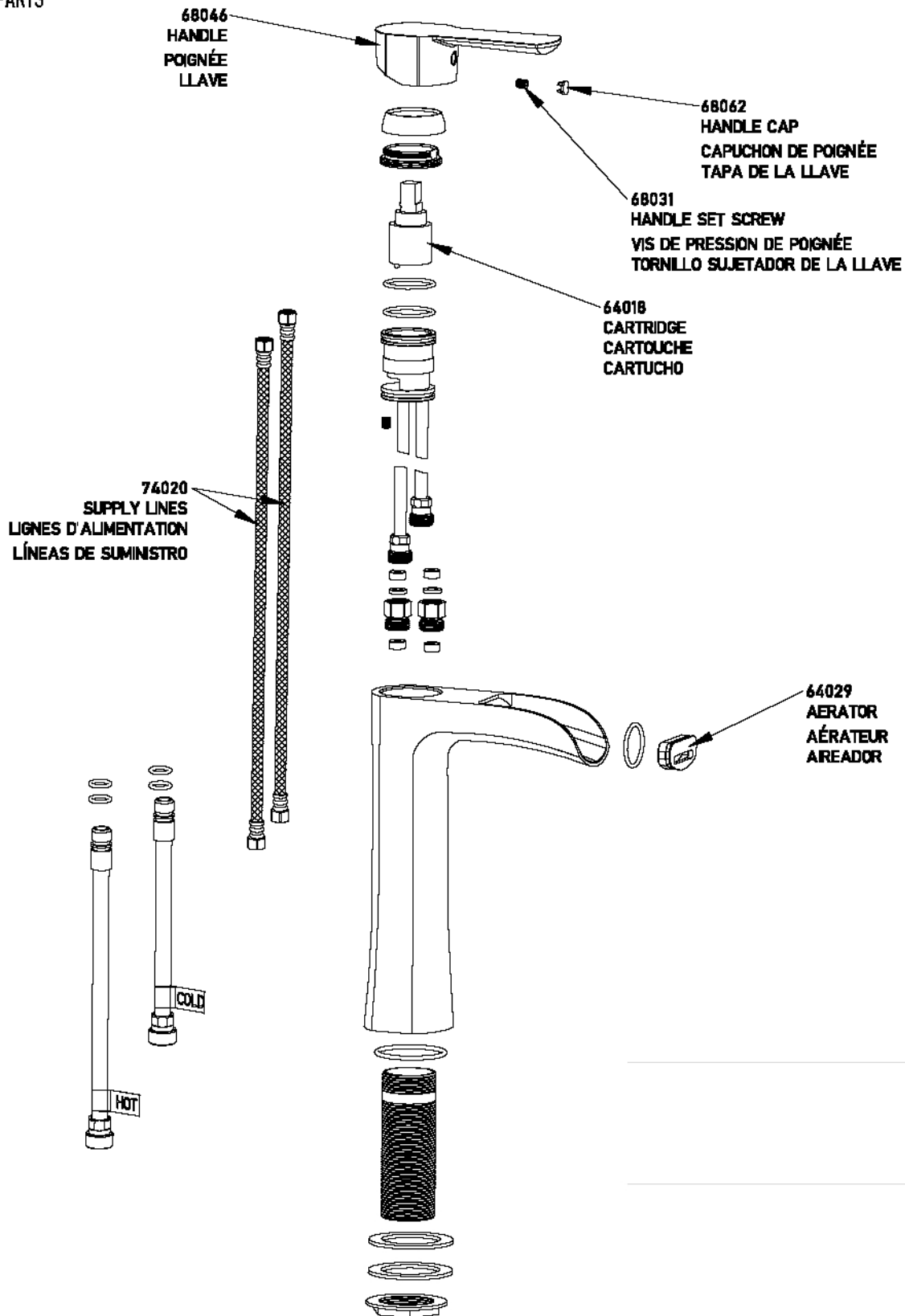


5. After installation is complete, remove the aerator. Turn on the water supply valves and allow both hot and cold water to run at least one minute each. While water is running, check for leaks, especially at hook-ups to supply lines. Tightening nuts slightly will stop any minor leaks.

5. Une fois l'installation terminée, retirez l'aérateur. Ouvrez les robinets d'arrivée d'eau et faites couler l'eau chaude et l'eau froide pendant au moins une minute. Pendant que l'eau coule, vérifiez s'il n'y a pas de fuites, notamment au niveau des connexions d'arrivée d'eau. Serrez légèrement les écrous pour arrêter les fuites mineures.

5. Después de haber terminado la instalación, saque el alicedor. Abra las válvulas de suministro de agua y deje correr al menos un minuto el agua fría y un minuto el agua caliente. mientras el agua esté corriendo, revise si hay pérdidas, en especial en las conexiones a las cañerías de suministro. El ajuste suave de las tuercas detiene pérdidas menores.

PARTS



TROUBLESHOOTING / DÉPANNAGE / SOLUCIÓN DE PROBLEMAS

#1	Leaks from handle	1A - Cartridge unseated 1B - Cartridge defective	1A - Remove cartridge from housing, wash thoroughly with hot water and reseat in housing. 1B - Contact Vigo Product Support for replacement.
#2	Insufficient flow rate	2 - Clog in supply hose / line	2 - Remove supply lines and flush lines.
#3	Leak at connection points	3A - Flexible hose leaking at connection point 3B - Washer defective	3A - Tighten hoses. If this does not resolve the issue, remove the flexible hose and rethread, checking to make sure the connection is secure. Make sure to use pipe tape. 3.B - Remove supply line and check the status of the washer. If torn, washer must be replaced for a secure, non-leaking connection.
#4	Loose faucet body	4 - Mounting hardware became loose	4 - From under the counter, use an adjustable wrench and tighten the mounting hardware. Make sure the faucet is perpendicular to the counter.
#5	Loose handle	5 - Set screw has become loose	5 - Take off hot/cold cover on handle. This will give you access to the screw that connects the handle to the cartridge. Using either an allen key or a flat head screw driver, tighten the screw so handle has firm connection to cartridge.
#1	Fuites au niveau de la poignée	1A - Cartouche non installée 1B - Cartouche défectueuse	1A - Retirez la cartouche de son logement, rincez-la minutieusement à l'eau chaude et remplacez la cartouche dans son logement. 1B - Contactez le service de soutien technique de Vigo pour remplacer la cartouche.
#2	Débit insuffisant	2 - Flexible/conduite d'alimentation obstrué	2 - Retirez les conduites d'arrivée d'eau et rincez-les.
#3	Fuites au niveau des points de raccordement	3A - Fuite du flexible au niveau du point de raccordement 3B - Rondelle défectueuse	3A - Serrez les flexibles. Si malgré cela, vous n'arrivez pas à résoudre le problème, retirez le flexible et remplacez-le, en vous assurant que le raccord est solidement positionné. Veillez à utiliser le ruban pour tuyau. 3.B - Retirez la conduite d'arrivée d'eau et vérifiez l'état de la rondelle. Si elle est usée, remplacez-la par un raccord résistant quine présente pas de fuites.
#4	Corps du robinet desserré	4 - Le matériel de fixation est desserré	4 - Depuis le dessous du comptoir, utilisez une clé à molette et serrez le matériel de fixation. Assurez-vous que le robinet est bien perpendiculaire au comptoir.
#5	Poignée desserrée	5 - La vis de pression est desserrée	5 - Retirez le cache eau chaude/eau froide de la poignée. Vous pourrez ainsi accéder à la vis qui permet de fixer la poignée à la cartouche. À l'aide d'une clé à six pans ou d'un tournevis à tête plate, serrez la vis de sorte que la poignée soit fermement fixée à la cartouche.
#1	Pérdida desde la llave	1A - Cartucho no ajustado 1B - Cartucho defectuoso	1A - Saque el cartucho de la caja, lávelo bien con agua caliente e insértelo bien de nuevo en la caja. 1B - Para cambiarlo, comuníquese con el Departamento de Asistencia Técnica de Vigo.
#2	Caudal insuficiente	2 - Manguera/ cañería de suministro tapadas	2 - Saque las cañerías de suministro y enjuáguelas.
#3	Pérdida en puntos de conexión	3A - La manguera flexible pierde en el punto de conexión 3B - Arandela defectuosa	3A - Ajuste las mangueras. Si eso no resuelve el problema, saque la manguera flexible e insértela de nuevo. Cuando lo haga, asegúrese de que la conexión esté bien ajustada. Asegúrese de utilizar cinta para cañerías. 3B - Saque la cañería de suministro y revise el estado de la arandela. Si está rota, debe cambiarla por una conexión firme y sin pérdidas.
#4	Afloje el cuerpo del grifo	4 - Los dispositivos de ensamblaje se aflojaron	4 - Desde debajo de la encimera, utilice una llave inglesa para ajustar los dispositivos de ensamblaje. Asegúrese de que el grifo esté en posición perpendicular a la encimera.
#5	Afloje la llave	5 - El tornillo sujetador aflojó	5 - Saque la cubierta de caliente/frío de la llave. Eso le dará acceso al tornillo que conecta la llave con el cartucho. Con una llave Allen o un destornillador de cabeza gruesa, ajuste el tornillo para que la conexión entre la llave y el cartucho esté firme.

MAINTENANCE

Your new faucet is designed for years of trouble-free performance. Keep it looking new by cleaning it periodically with a soft cloth. Avoid abrasive cleaners, steel wool and harsh chemicals as these will scratch, dull, and/or damage the finish and/or product void your warranty.

ENTRETIEN

Votre nouveau robinet a été conçu pour durer des années, sans incident. Protégez son éclat en le nettoyant régulièrement à l'aide d'un chiffon doux. Les nettoyeurs abrasifs, la laine d'acier et les produits chimiques puissants peuvent érafler, ternir et/ou endommager le fini et/ou le produit et entraîner l'annulation de la présente garantie.

MANTENIMIENTO

Su nuevo grifo está diseñado para funcionar durante muchos años sin inconvenientes. Límpiolo de manera periódica con un trapo suave para mantener su aspecto de nuevo. Evite usar limpiadores abrasivos, lana de acero y productos químicos fuertes dado que rayan, opacan o dañan el acabado o el producto y anulan la garantía.

BATHROOM FAUCET LIMITED LIFETIME WARRANTY

VIGO

**VIGO INDUSTRIES, LLC ("VIGO")
EFFECTIVE JANUARY 1, 2019**

VIGO offers the following limited warranty on each of its BATHROOM FAUCET Products* (the "Product"). This warranty extends only to the original purchaser/end-user for personal household use and is not transferrable. For commercial use, additional limitations apply.

VIGO warrants hoses and all mechanical components to be free from defects in workmanship and materials under normal household use for the period of ONE (1) year from the initial date of purchase by the purchaser/end-user, contractor, or builder from VIGO or an authorized VIGO Dealer.

VIGO warrants the cartridge to be free from defects in workmanship and materials under normal household use for the period of FIVE (5) years from the initial date of purchase by the purchaser/end-user, contractor, or builder from VIGO or an authorized VIGO Dealer.

VIGO warrants the finish of the Product to be free from defects in workmanship and materials under normal household use for the lifetime of the product by the original purchaser/end-user.

Subject to the Warranty provisions below, any product reported to VIGO or an authorized dealer as being defective within the warranty period will receive replacement parts and/or troubleshooting assistance to correct the issue. If a replacement unit is deemed necessary by VIGO, the replacement will be made with the same model (or with a product of equal value). This warranty extends to the original purchaser/end-user and is not transferrable to a subsequent owner. Neither the distributor, authorized dealer, nor any other person has been authorized to make any affirmation, representation, or warranty other than those contained in this warranty. Products sold in "as-is" condition, closeouts, discounted, resale, return purchases or purchases made through non-authorized dealers are not covered under the terms of this warranty. Any affirmation, representation, or warranty other than those contained in this warranty shall not be enforceable against VIGO or any other person. VIGO reserves the right to modify this warranty at any time with the understanding that such modifications will not alter the warranty conditions applicable at the time of sale for the products in question.

LIMITATIONS

This warranty shall not apply to instances of incorrect operating procedures, breakages, or damages caused by fault through improper installation, carelessness, abuse, misuse, misapplication, improper maintenance, or alteration of the Product, as well as damage due to hard water, chemical or natural corrosion, accident, fire, flood, an act of God, or any other casualty. When cleaning, handling, and maintaining the Product, avoid using abrasive cleaners, steel wools, and harsh chemicals as these will scratch, damage and/or dull the product and/or finish and void this warranty. The owner/end-user of the Product covered by the present warranty is entirely responsible for all labor costs, proper installation and any applicable plumbing or electrical wiring. VIGO neither installs nor supervises installation, nor hires contractors for this purpose. VIGO cannot be held responsible for any default, breakage, or damages caused thereby or resulting thereof, either directly or indirectly. The owner/end-user must provide requested images, photos, videos of the Product as described in the installation guide so that VIGO can properly troubleshoot and execute the warranty specified herein. All repair expenses and labor are the responsibility of the owner/end-user. This warranty does not apply to Products that have not been installed or operated in accordance with instructions supplied by VIGO and all applicable rules, regulations, and legislation pertaining to such installations. This warranty does not apply unless the VIGO Product is installed by a fully insured, licensed professional. VIGO strongly recommends that such licensed professional have experience in the installation of bathroom and kitchen products. Installation of certain products, including but not limited to glass products (i.e. shower doors and glass sinks) by an inexperienced person may result in glass breakage, and consequently may cause personal injury or death. VIGO is not liable for personal injuries or deaths to any persons or for any direct special, incidental or consequential damage, loss of time, loss of profits, inconvenience, incidental expenses, labor or material charges, or other costs resulting from the use of the Product or equipment pertaining to the application of the present warranty, or resulting from the removal or replacement of any product or element or part covered by this warranty.

EXCEPT AS OTHERWISE PROVIDED ABOVE, VIGO MAKES NO WARRANTIES, EXPRESSED OR IMPLIED, INCLUDING WARRANTIES OF MERCHANTABILITY AND FITNESS FOR A PARTICULAR PURCHASE OR COMPLIANCE WITH ANY CODE. VIGO cannot be held liable for any amount over and above the purchase price paid for the Product by the owner/end-user, contractor, builder, or other installation professional.

COMMERCIAL LIMITATIONS

In addition to the above conditions and limitations, the warranty period for the products installed for commercial applications or used in commercial ventures is ONE (1) year from the initial date of purchase by the owner/end-user, contractor, or builder from an authorized dealer. VIGO is not responsible for loss of use or profit under any circumstances. If the product is used as a display, the warranty period begins when the product is placed on display. This warranty gives the owner/end-user specific legal rights. The owner/end-user may also have other rights which may vary from one state or province to another.

WARRANTY CONDITIONS

In order to obtain the warranty provided, please contact the VIGO Product Support Department during normal business hours at option 2 or via email at VIGO@kitchensource.com. VIGO will assist with troubleshooting and provide replacement parts as described above when the following conditions have been met: the failure is of the nature or type covered by the warranty; the user has informed VIGO of the nature of the problem during the warranty period; conclusive evidence (e.g. proof of purchase and images, video, etc.) is provided to the foregoing by the user proving that the failure occurred or was discovered within the warranty period. VIGO's warranty obligation shall be discharged upon tender of replacement parts or product replacement. The customer's refusal to accept the tender terminates VIGO's warranty obligations.

*Certain models are pending approval.

Certification may be ended by VIGO or certification agencies without notice.