

VIGO THE IDEAL EVERYDAY.

VG03024

IMPORTANT POINTS

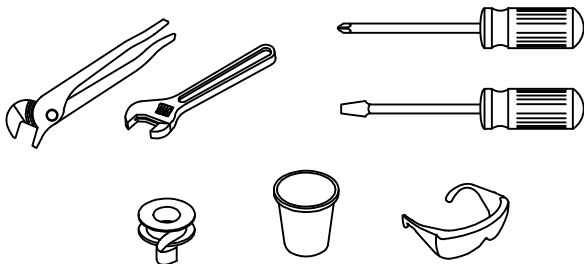
Prior to beginning installation, turn off the cold and hot water lines and open the hot and cold knobs on the old faucet to release build-up pressure.

When installing your new faucet, turn the connector nuts finger-tight, then use one wrench to anchor the fitting and a second wrench to tighten the nut one additional turn. Connections that are too tight will reduce the integrity of the system.

Wrap all threaded connections with Teflon tape available at your local hardware or plumbing supply store. Always wrap in a clockwise direction.

All installations can vary depending on how your previous faucet was installed. Not all necessary supplies to install your faucet are included, however, they are available wherever plumbing supplies are sold.

TOOLS NEEDED/OUTILS NÉCESSAIRES/HERRAMIENTAS NECESARIA



NIKO VESSEL BATHROOM FAUCET NIKO ROBINET DE SALLE DE BAINS NIKO GRIFO DE BAÑO



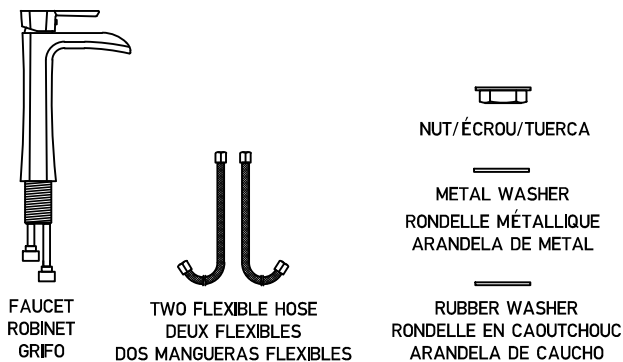
This bathroom faucet is cUPC, NSF-61, AB1953 and WaterSense certified by IAPMO, and is CEC and ADA Compliant.

Ce robinet de salle de bain est cUPC, NSF-61, AB1953 et certifié WaterSense par l'IAPMO, et est conforme aux normes CEC et ADA. Este grifo para baño es CUPC, NSF-61, AB1953 y WaterSense certificado por IAPMO, y cumple con CEC y ADA.

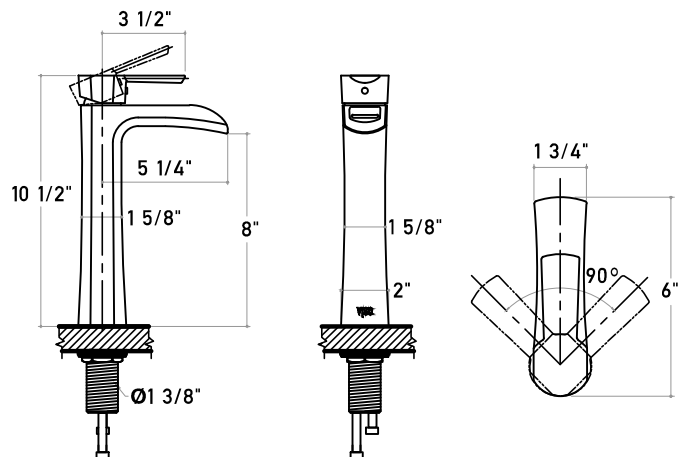
SAFETY TIPS

If you use soldering for the installation of the faucet, the seats, cartridges and washers will have to be removed before using flame. Otherwise, warranty will be void on these parts. Protect your eyes with safety glasses when cutting or soldering water supply lines. Cover your drain to avoid losing parts.

PACKAGE CONTENTS/CONTENU DE L'EMBALLAGE/ CONTENIDO DEL PAQUETE



MEASUREMENTS/DES MESURES/MEDICIONES



SIDE VIEW
VUE DE CÔTÉ
VISTA LATERAL

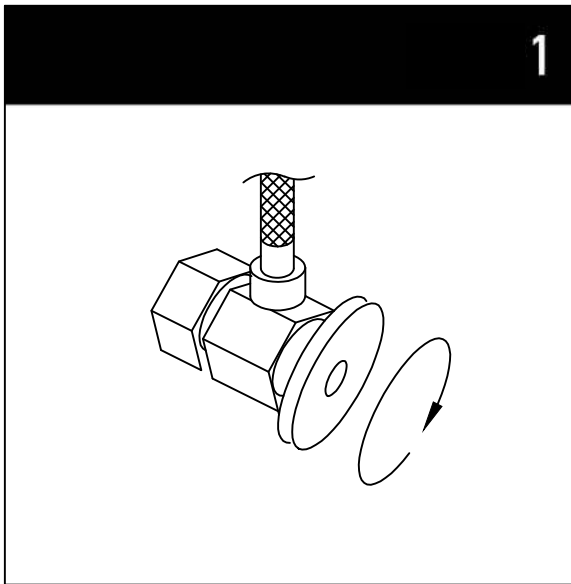
FRONT VIEW
VUE DE FACE
VISTA FRONTAL

TOP VIEW
VUE DE DESSUS
VISTA SUPERIOR

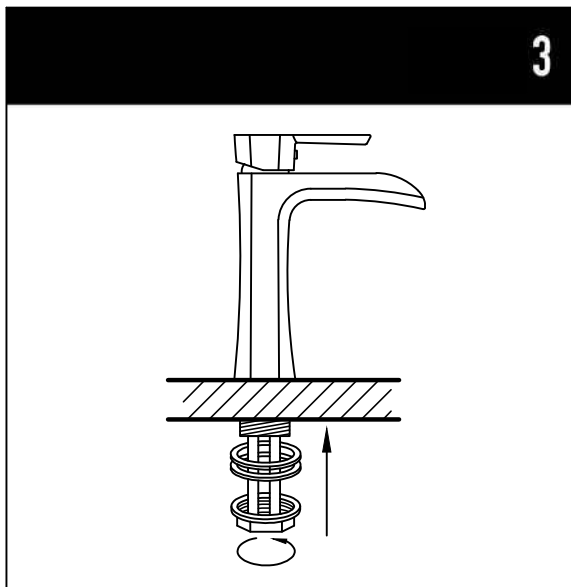
VIGO THE IDEAL EVERYDAY.

VG03024

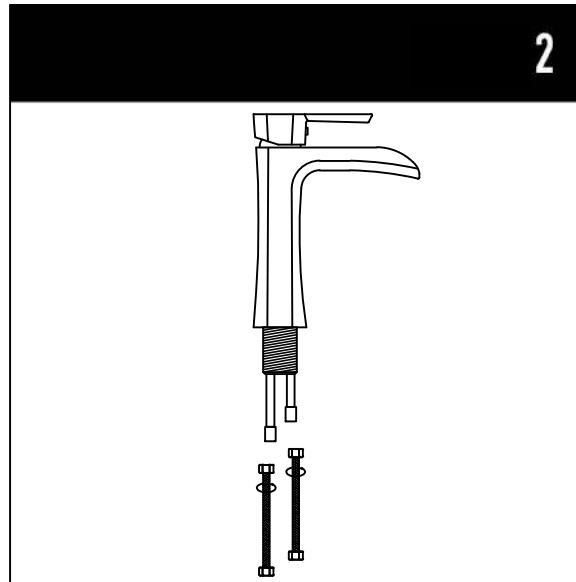
NOTE: Installation must be done by a qualified, licensed plumber./REMARQUE: L'installation doit être effectuée par un plombier qualifié et agréé./NOTA: La instalación debe ser realizada por un plomero con licencia calificado.



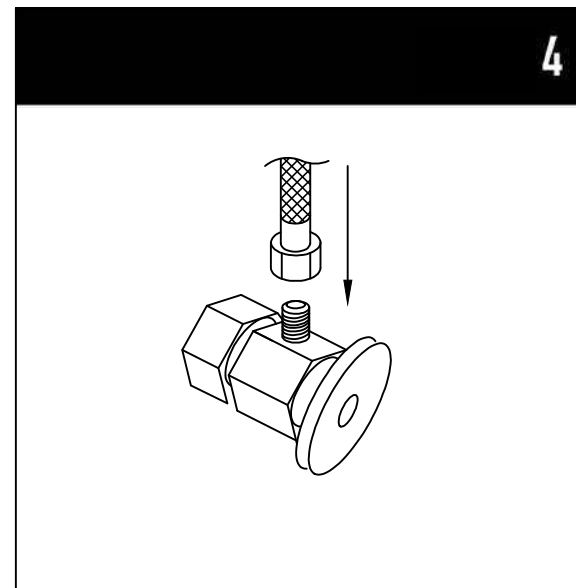
1. Shut off water supply. Remove old faucet and flexible hoses. Clean sink surface in preparation for the new faucet. Flush water connection at home to make sure no debris is stuck in the line.



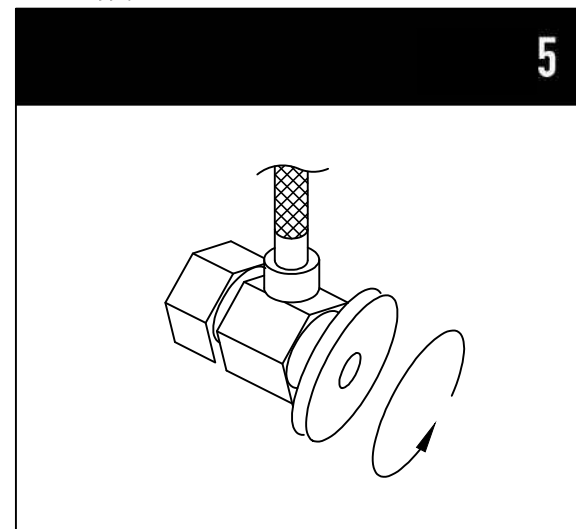
3. Place new faucet in the position on the sink. From under the sink, put rubber washer, metal washer and thread nut onto the pin. Tighten nut.



2. Connect flexible hoses to the brass pipes.



4. Connect female end of flexible hoses to the cold and hot water supply.



5. After installation is complete, remove the aerator. Turn on the water supply valves and allow both hot and cold water to run at least one minute each. While water is running, check for leaks, especially at hook-ups to supply lines. Tightening nuts slightly will stop any minor leaks.

VIGO THE IDEAL EVERYDAY.

VG03024

PARTS

