

# VIGO THE IDEAL EVERYDAY.

## VG03018

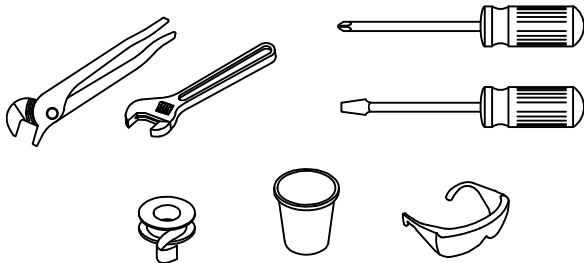
### IMPORTANT POINTS

Prior to beginning installation, turn off the cold and hot water lines and open the hot and cold knobs on the old faucet to release build-up pressure.

When installing your new faucet, turn the connector nuts finger-tight, then use one wrench to anchor the fitting and a second wrench to tighten the nut one additional turn. Connections that are too tight will reduce the integrity of the system. Wrap all threaded connections with Teflon tape available at your local hardware or plumbing supply store. Always wrap in a clockwise direction.

All installations can vary depending on how your previous faucet was installed. Not all necessary supplies to install your faucet are included, however, they are available wherever plumbing supplies are sold.

### TOOLS NEEDED



### BLACKSTONIAN VESSEL BATHROOM FAUCET



This bathroom faucet is cUPC, NSF-61, AB1953 and WaterSense certified by IAPMO, and is CEC and ADA Compliant.

Ce robinet de salle de bain est cUPC, NSF-61, AB1953 et certifié WaterSense par l'IAPMO, et est conforme aux normes CEC et ADA. Este grifo para baño es CUPC, NSF-61, AB1953 y WaterSense certificado por IAPMO, y cumple con CEC y ADA.

### SAFETY TIPS

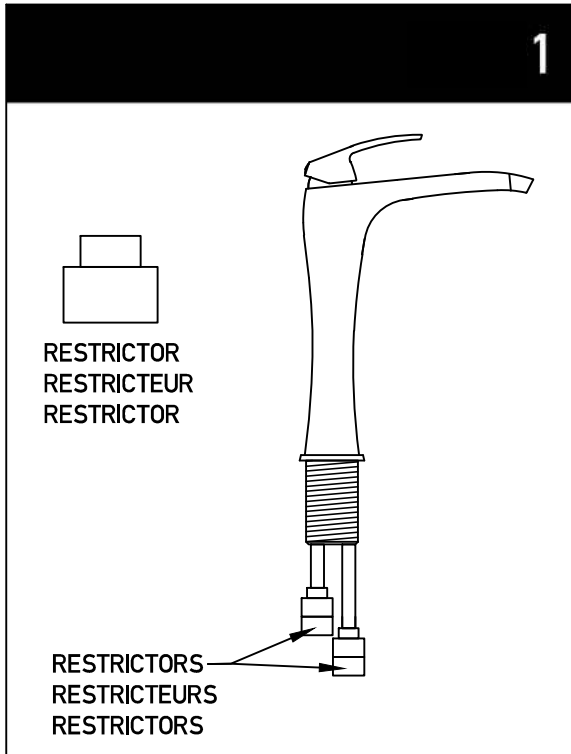
If you use soldering for the installation of the faucet, the seats, cartridges and washers will have to be removed before using flame. Otherwise, warranty will be void on these parts. Protect your eyes with safety glasses when cutting or soldering water supply lines. Cover your drain to avoid losing parts.

**VIGO** THE IDEAL EVERYDAY.

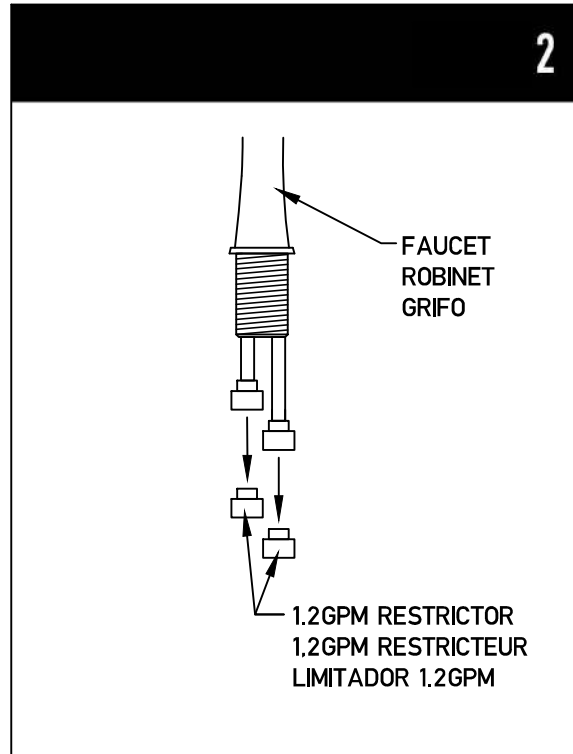
**VG03018**

**FLOW RATE REGULATIONS/RÈGLEMENT DE DÉBIT/NORMAS DE CAUDAL**

This product meets the CEC requirements. It is up to the discretion of the client to modify the product with the provided restrictor. Doing so will remove the ability for the product to meet certain low flow standards. Please talk to your local or statewide plumbing enforcement agency prior to modifying. Vigo is not responsible for any alterations and the affects that may come with altering the product post sale and highly advises that the client only install the product that meets the needs of their local plumbing code. Flow rate with restrictors - 1.2 gpm Flow rate without restrictors - 1.5 gpm

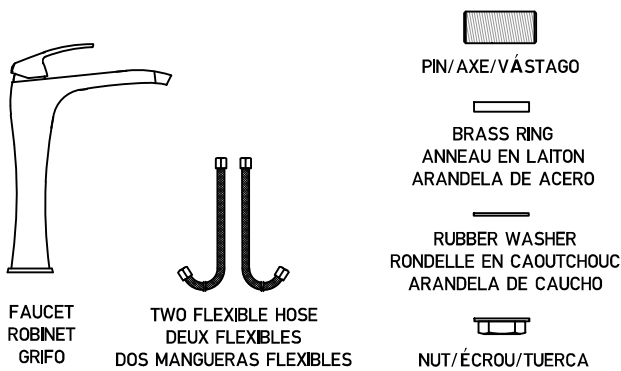


1. You will find the 1.2 gpm restrictors here.

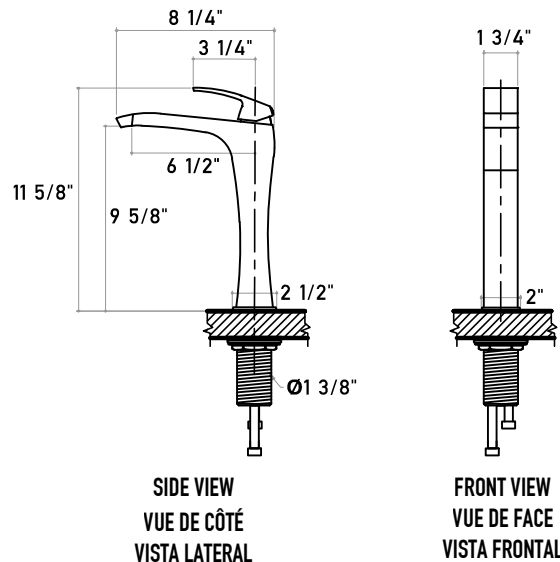


2. Remove the 1.2 gpm restrictors and install the faucet as usual

**PACKAGE CONTENTS/CONTENU DE L'EMBALLAGE/  
CONTENIDO DEL PAQUETE**



**MEASUREMENTS/DES MESURES/MEDICIONES**

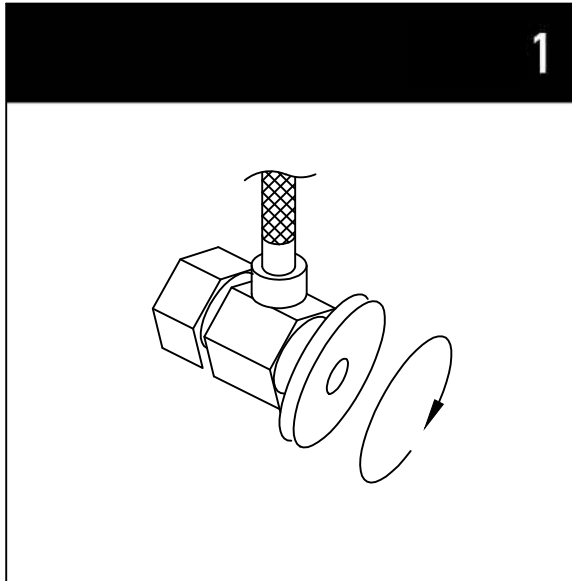


# VIGO THE IDEAL EVERYDAY.

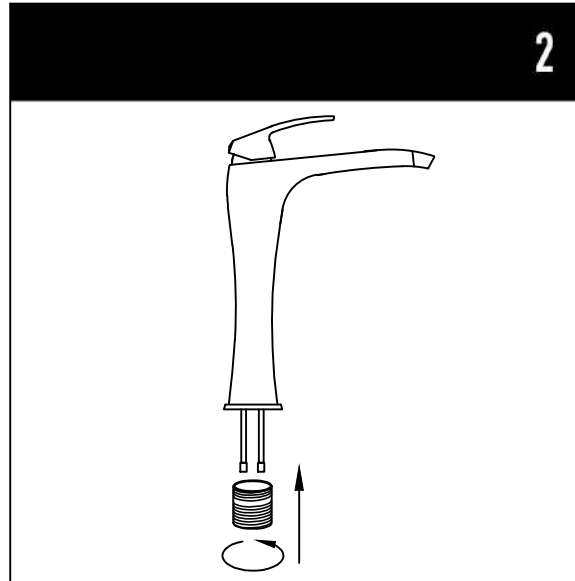
## VG03018

### INSTALLATION/INSTALLATION/INSTALACIÓN

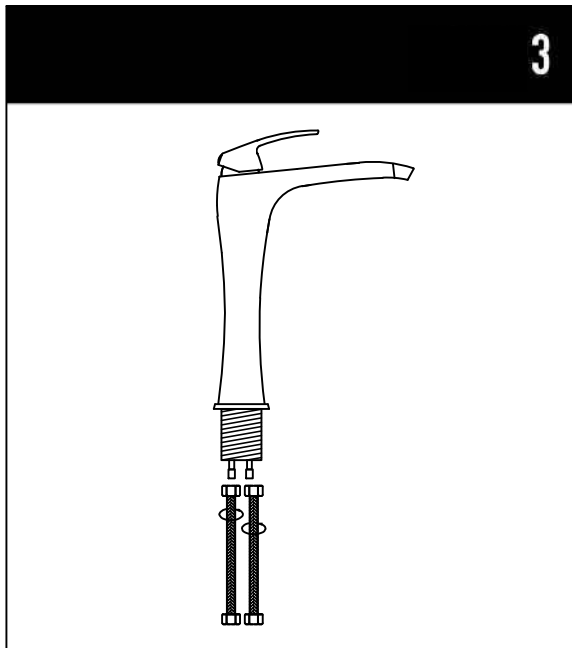
NOTE: Installation must be done by a qualified, licensed plumber./REMARQUE: L'installation doit être effectuée par un plombier qualifié et agréé./NOTA: La instalación debe ser realizada por un plomero con licencia calificado.



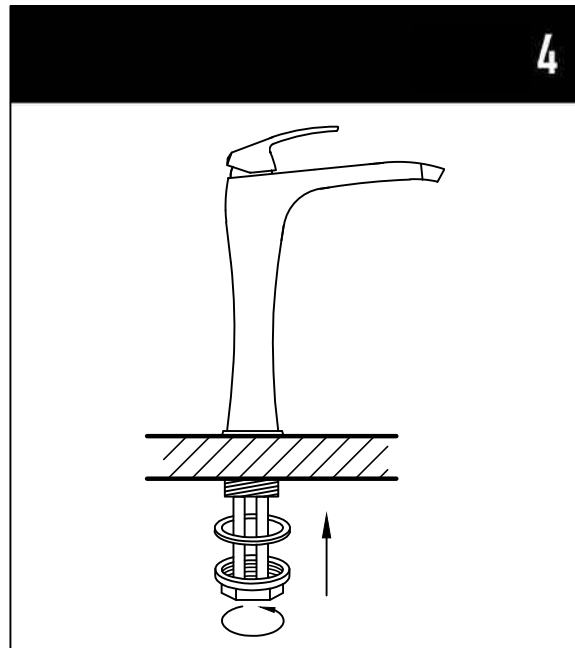
1. Shut off water supply. Remove old faucet and flexible hoses. Clean sink surface in preparation for the new faucet. Flush water connection at home to make sure no debris is stuck in the line



2. Install pin to the faucet.



3. Connect flexible hoses to the brass pipes.

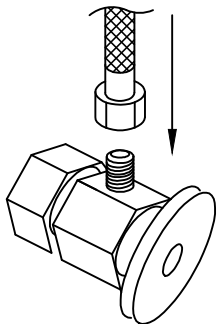


4. Place new faucet in the position on the sink. Place brass ring between bottom of the faucet and sink surface. From under the sink, put rubber washer and thread nut onto the pin. Tighten nut.

**VIGO** THE IDEAL EVERYDAY.

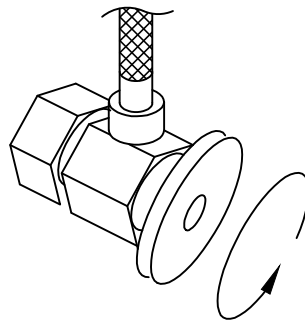
**VG03018**

**5**



5. Connect female end of flexible hoses to the cold and hot water supply.

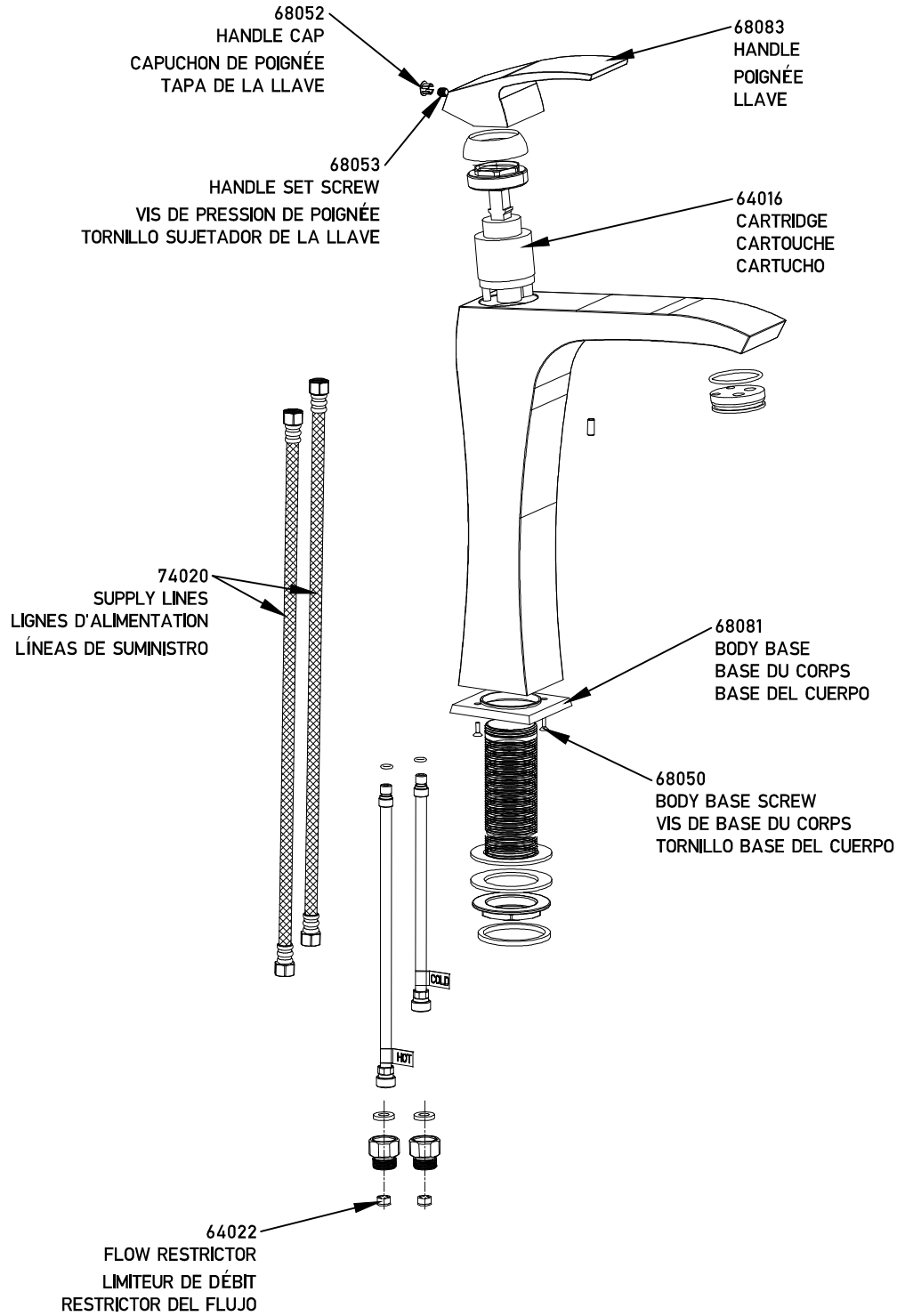
**6**



6. After installation is complete, remove the aerator. Turn on the water supply valves and allow both hot and cold water to run at least one minute each. While water is running, check for leaks, especially at hook-ups to supply lines. Tightening nuts slightly will stop any minor leaks.

**VIGO** THE IDEAL EVERYDAY.

**VG03018**



# VIGO THE IDEAL EVERYDAY.

# VG03018

## TROUBLESHOOTING/DÉPANNAGE/SOLUCIÓN DE PROBLEMAS

PROBLEM/PROBLÈME/PROBLEMA	POTENTIAL CAUSE/CAUSE ÉVENTUELLE/CAUSA POTENCIAL	CORRECTIVE ACTION/MESURE CORRECTIVE/MEDIDA CORRECTIVA
1 - Leaks from handle	1.A - Cartridge unseated 1.B - Cartridge defective	1.A - Remove cartridge from housing, wash thoroughly with hot water and reseal in housing. 1.B - Contact Vigo Product Support for replacement.
2 - Insufficient flow rate	2.A - Dirty aerator 2.B - Clog in supply hose / line	2.A - Remove aerator and soak / clean with a non abrasive agent (i.e. half hot water and half vinegar). 2.B - Remove supply lines and flush lines.
3 - Leak at connection points	3.A - Flexible hose leaking at connection point 3.B - Washer defective	3.A - Tighten hoses. If this does not resolve the issue, remove the flexible hose and rethread, checking to make sure the connection is secure. Make sure to use pipe tape. 3.B - Remove supply line and check the status of the washer. If torn, washer must be replaced for a secure, non-leaking connection.
4 - Loose faucet body	4. - Mounting hardware became loose	4. - From under the counter, use an adjustable wrench and tighten the mounting hardware. Make sure the faucet is perpendicular to the counter.
5 - Loose handle	5. - Set screw has become loose	5. - Take off hot/cold cover on handle. This will give you access to the screw that connects the handle to the cartridge. Using either an allen key or a flat head screw driver, tighten the screw so handle has firm connection to cartridge.

## MAINTENANCE

Your new faucet is designed for years of trouble-free performance. Keep it looking new by cleaning it periodically with a soft cloth. Avoid abrasive cleaners, steel wool and harsh chemicals as these will scratch, dull, and/or damage the finish and/or product void your warranty.