

FAUCET SPECIFICATIONS

Wall Mount Bathroom Faucet
Model VG05005

MODEL VG05005

FEATURES

- Solid brass construction
- Ceramic disk cartridge
- Single lever faucet
- Wall mount installation
- Finish resist corrosion and tarnishing

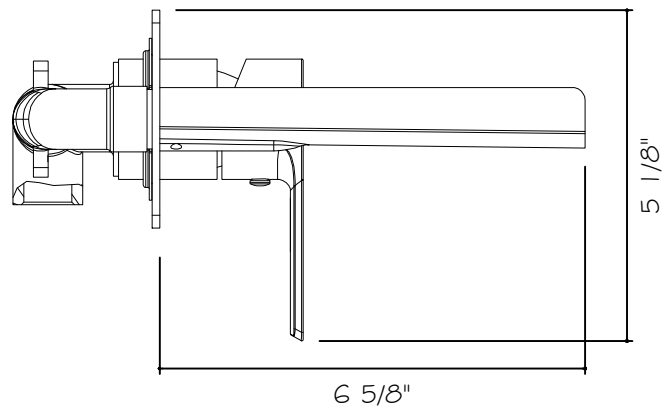
PACKING LIST

- Faucet Assembly
- Allen Key
- Spout
- Cover for spout
- Mixer
- Handle
- Cover for handle
- Washer

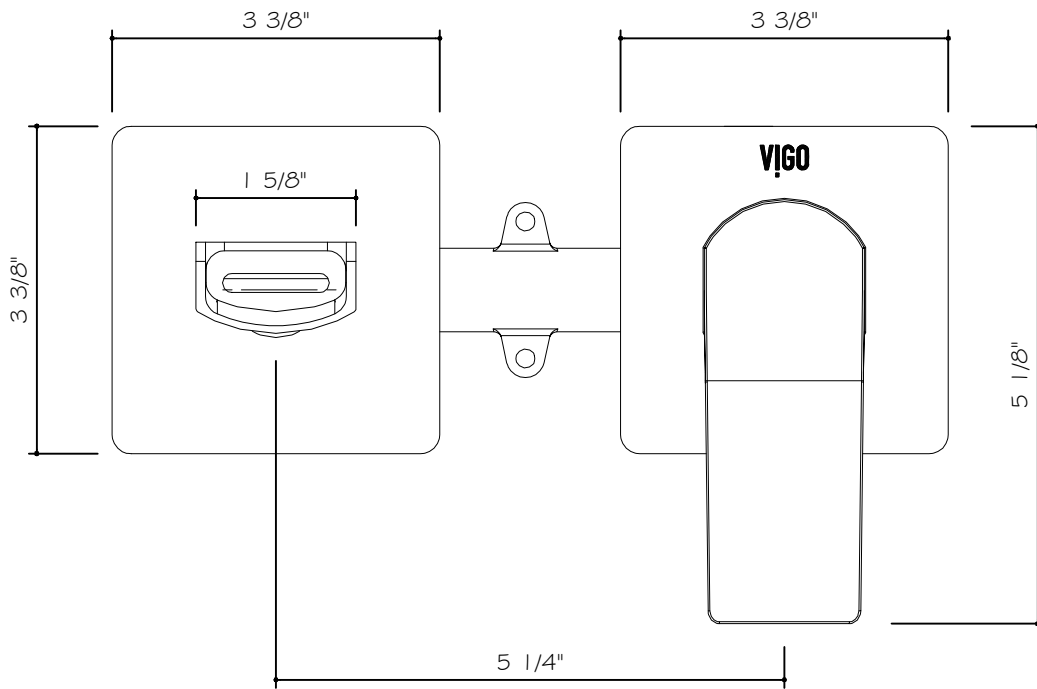


DIMENSIONS

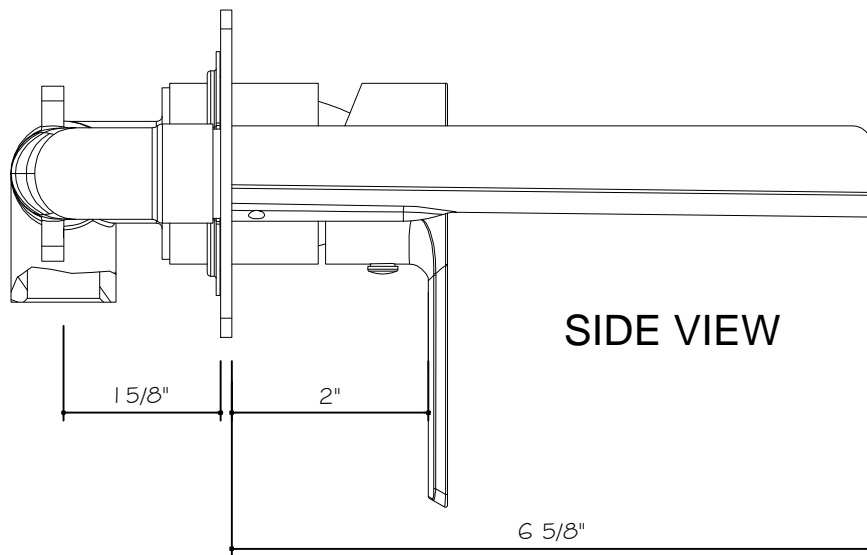
MODEL #	FAUCET HEIGHT	SPOUT REACH
VG05005	5 1/8"	6 5/8"



NOTE: All faucets are compliant to CEC 2016 regulations.



FRONT VIEW



SIDE VIEW

VG05005

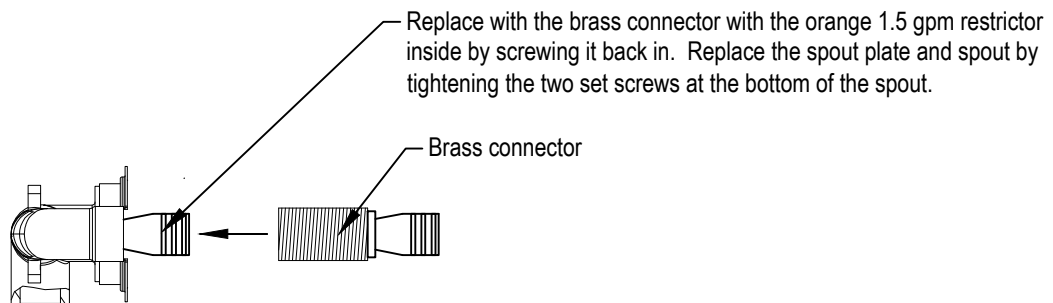
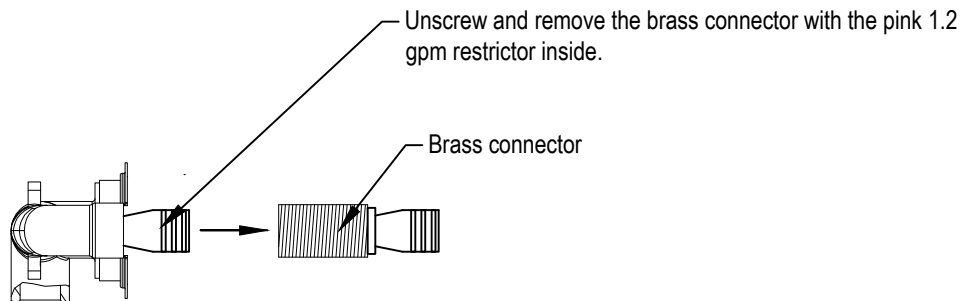
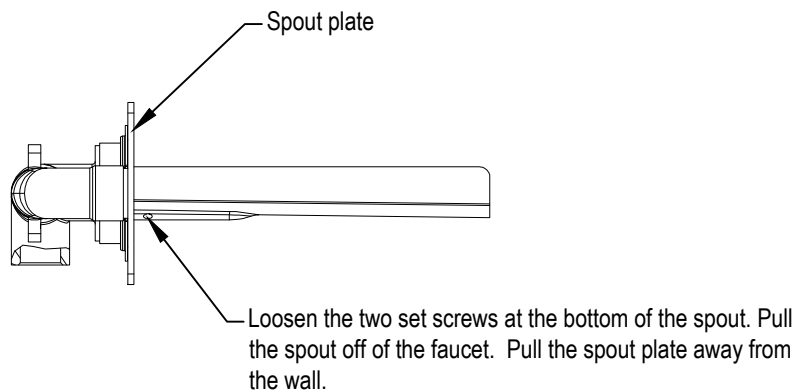
THE MEASUREMENTS IN INCHES ARE ROUNDED TO THE NEAREST $\frac{1}{8}$ "

FLOW RATE REGULATIONS

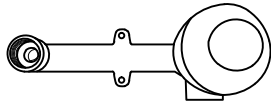
This product meets the CEC requirements. It is up to the discretion of the client to modify the product with the provided restrictor. Doing so will remove the ability for the product to meet certain low flow standards. Please talk to your local or statewide plumbing enforcement agency prior to modifying. Vigo is not responsible for any alterations and the affects that may come with altering the product post sale and highly advises that the client only install the product that meets the needs of their local plumbing code.

Flow rate with installed restrictor (pink) - 1.2 gpm

Flow rate with restrictor provided in box (orange) - 1.5 gpm



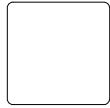
PACKAGE CONTENTS



MIXER



COVER FOR HANDLE



COVER FOR SPOUT



ALLEN KEY



HANDLE



SPOUT

MAINTENANCE

Your new faucet is designed for years of trouble-free performance. Keep it looking new by cleaning it periodically with a soft cloth. Avoid abrasive cleaners, steel wool and harsh chemicals as these will scratch, dull, and/or damage the finish and/or product void your warranty.

REQUIRED TOOLS

- Adjustable wrench
- Groove joint pliers
- Plumber's putty
- Pipe tape
- Phillips and flat screwdrivers

SAFETY TIPS

- Be sure to shut off water supply prior to installation.
- Protect your eyes with safety glasses when cutting or soldering water supply lines
- Cover your drain to avoid losing parts.

IMPORTANT POINTS

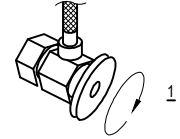
Prior to beginning installation, turn off the cold and hot water lines and open the hot and cold knobs on the old faucet to release build-up pressure. When installing your new faucet, turn the connector nuts finger-tight, then use one wrench to anchor the fitting and a second wrench to tighten the nut one additional turn. Connections that are too tight will reduce the integrity of the system. Wrap all threaded connections with Teflon tape available at your local hardware or plumbing supply store. Always wrap in a clockwise direction. All installations can vary depending on how your previous faucet was installed. Not all necessary supplies to install your faucet are included, however, they are available wherever plumbing supplies are sold.

INSTALLATION

Installation must be done by a qualified licensed plumber. Prior to installation please read the instructions thoroughly, confirm that all parts are included and visually inspect the unit for any defects. If you have any questions please contact the Vigo Technical Support Department before proceeding with installation.

ASSEMBLY

1. SHUT OFF WATER SUPPLY. REMOVE THE OLD FAUCET AND FLEXIBLE HOSES. CLEAN SINK SURFACE IN PREPARATION FOR THE NEW FAUCET. FLUSH WATER CONNECTION AT HOME TO MAKE SURE NO DEBRIS IS STUCK IN THE LINE.

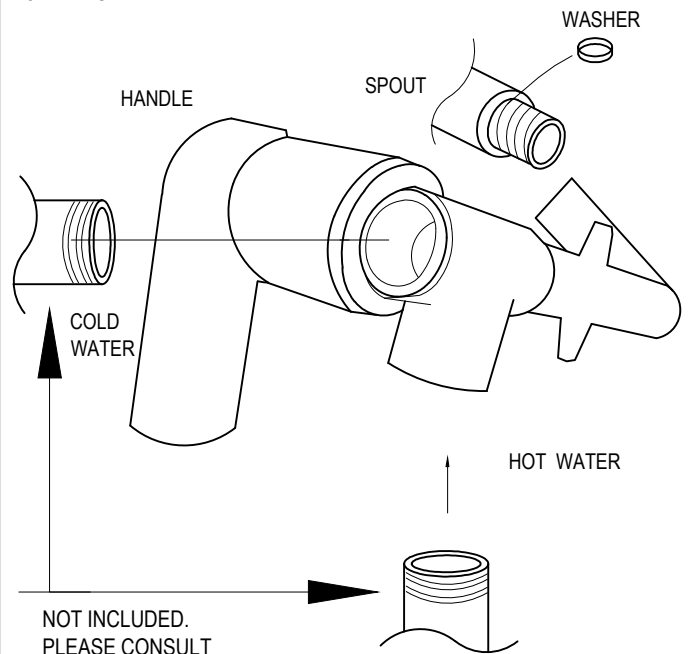


2. CONNECT PIPES WITH COLD AND HOT WATER TO THE MIXER USING TEFLON TAPE.

3. SECURE MIXER TO THE WALL.

4. CONNECT SPOUT TO THE MIXER USING THE SUPPLIED WASHER. SECURE WASHER BEHIND THE THREADED PORTION OF THE SPOUT FOR SPACING. THREAD THE SPOUT SO THE TIP FACES DOWN MAKING SURE NOT TO OVER TIGHTEN THE SPOUT TO THE MIXER.

5. ATTACH HANDLE.



NOT INCLUDED.
PLEASE CONSULT
A QUALIFIED
LICENSED
PLUMBER.

6. AFTER INSTALLATION IS COMPLETE TURN ON THE WATER SUPPLY VALVES AND ALLOW BOTH HOT AND COLD WATER TO RUN AT LEAST ONE MINUTE EACH. WHILE WATER IS RUNNING, CHECK FOR LEAKS, ESPECIALLY AT HOOK-UPS TO SUPPLY LINES. TIGHTENING NUTS SLIGHTLY WILL STOP ANY MINOR LEAKS.

TROUBLESHOOTING

PROBLEM	POTENTIAL CAUSE	CORRECTIVE ACTION
1 - Leaks from handle	1.A - Cartridge unseated	1.A - Remove cartridge from housing, wash thoroughly with hot water and reseal in housing.
2 - Insufficient flow rate	1.B - Cartridge defective	1.B - Contact Vigo Technical Support for replacement.
3 - Leak at connection points	2.A - Dirty aerator	2.A - Remove aerator and soak / clean with a non abrasive agent (i.e. half hot water and half vinegar).
4 - Loose faucet body	2.B - Clog in supply hose / line	2.B - Remove supply lines and flush lines.
5 - Loose handle	2.C - Clog in copper supply pins	2.C - Remove copper pins and flush/clean out.
	3.A - Flexible hose leaking at connection point	3.A - Tighten hoses. If this does not resolve the issue, remove the flexible hose and rethread, checking to make sure the connection is secure. Make sure to use pipe tape.
	3.B - Washer defective	3.B - Remove supply line and check the status of the washer. If torn, washer must be replaced for a secure, non-leaking connection.
	4 - Mounting hardware became loose	4 - From under the counter, use an adjustable wrench and tighten the mounting hardware. Make sure the faucet is perpendicular to the counter.
	5 - Set screw has become loose	5 - Take off hot/cold cover on handle. This will give you access to the screw that connects the handle to the cartridge. Using either an allen key or a flat head screw driver, tighten the screw so handle has firm connection to cartridge.

Handle	68109	CH,BN,MB	W
Handle Plate	68111	CH,BN,MB	W
Cartridge Housing	68113	-	W
Cartridge	74035	-	W
Cartridge Nut	68040	-	W
Spout	68110	CH,BN,MB	W
Spout Plate	68112	CH,BN,MB	W
1.2 gpm Flow Restrictor	68114	-	W
1.5 gpm Flow Restrictor	68117	-	W
Valve Housing	68118	-	W

VIGO

