

Kräus[®]

INSTALLATION GUIDE

Ramus™ Single Handle Basin Faucet

KBF-1221

Congratulations on the purchase of your new Kraus plumbing fixture!

Please keep the box and packaging materials until your product is completely installed. If you have any questions, require technical assistance, or have any problems with your product:



DO NOT RETURN TO STORE

Have the model number available, and retain a copy of your receipt with purchase date for reference.

If for any reason this product does not meet your expectations, please be sure to repack this product in the original box and packaging material to avoid damage during transit.

Prior to Installation:

- Turn off the hot and cold water lines at the angle stops and turn on the old faucet to release any built-up pressure
- Pre-drilled countertop hole size requirement: 1-3/8"(min)
- Max countertop thickness: 2 5/8"

Tools you will need:

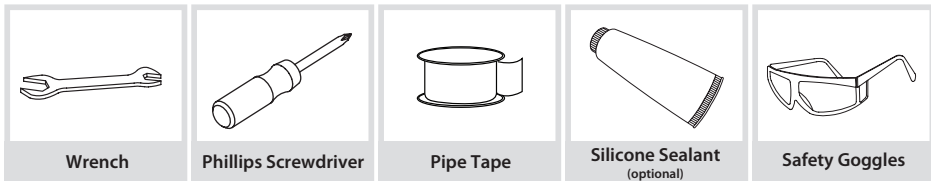
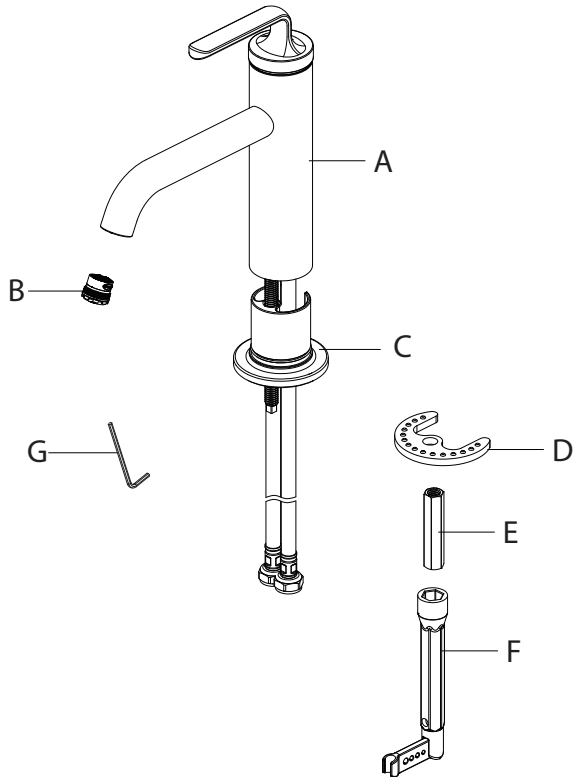
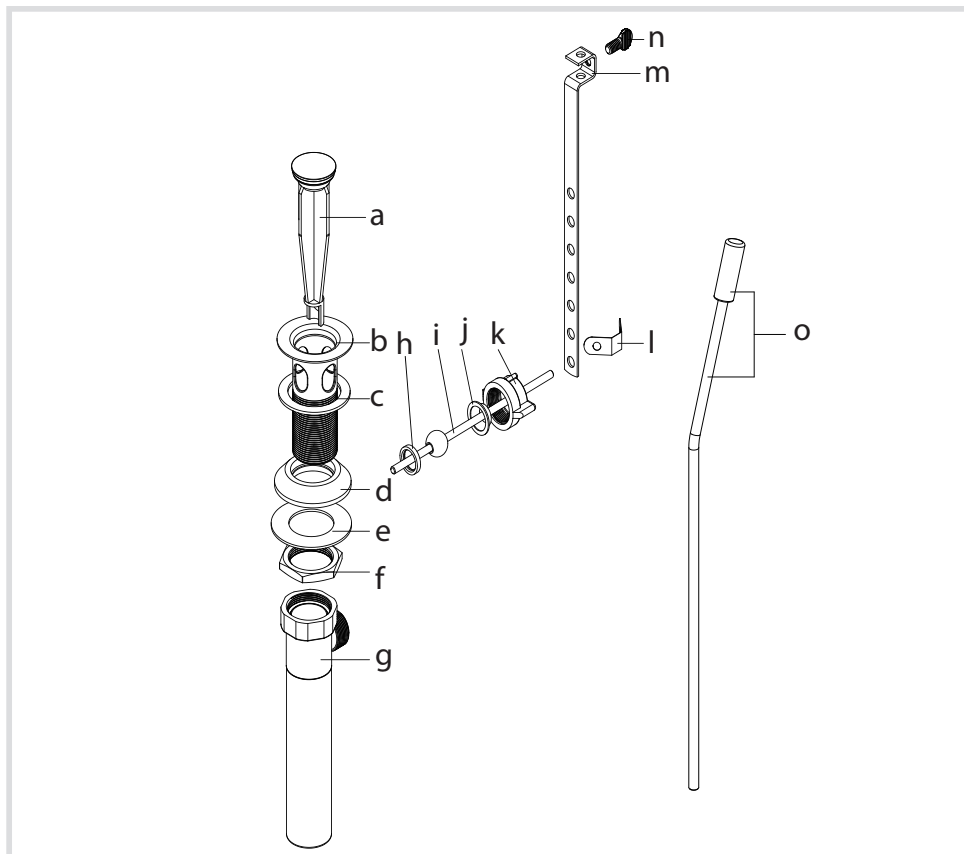


Diagram and Parts List



- A. Faucet Body
- B. Aerator
- C. Flange
- D. Metal Washer
- E. Lock Nut
- F. Spanner Key
- G. Hex Wrench

Diagram and Parts List-Lift Rod Drain



a. Waste Stopper

b. Drain Flange

c. Rubber Washer

d. Concave Washer

e. Metal Washer

f. Mounting Nut

g. Tail Pipe

h. Top Hat Washer

i. Drain Off Pole

j. Washer

k. Retaining Nut

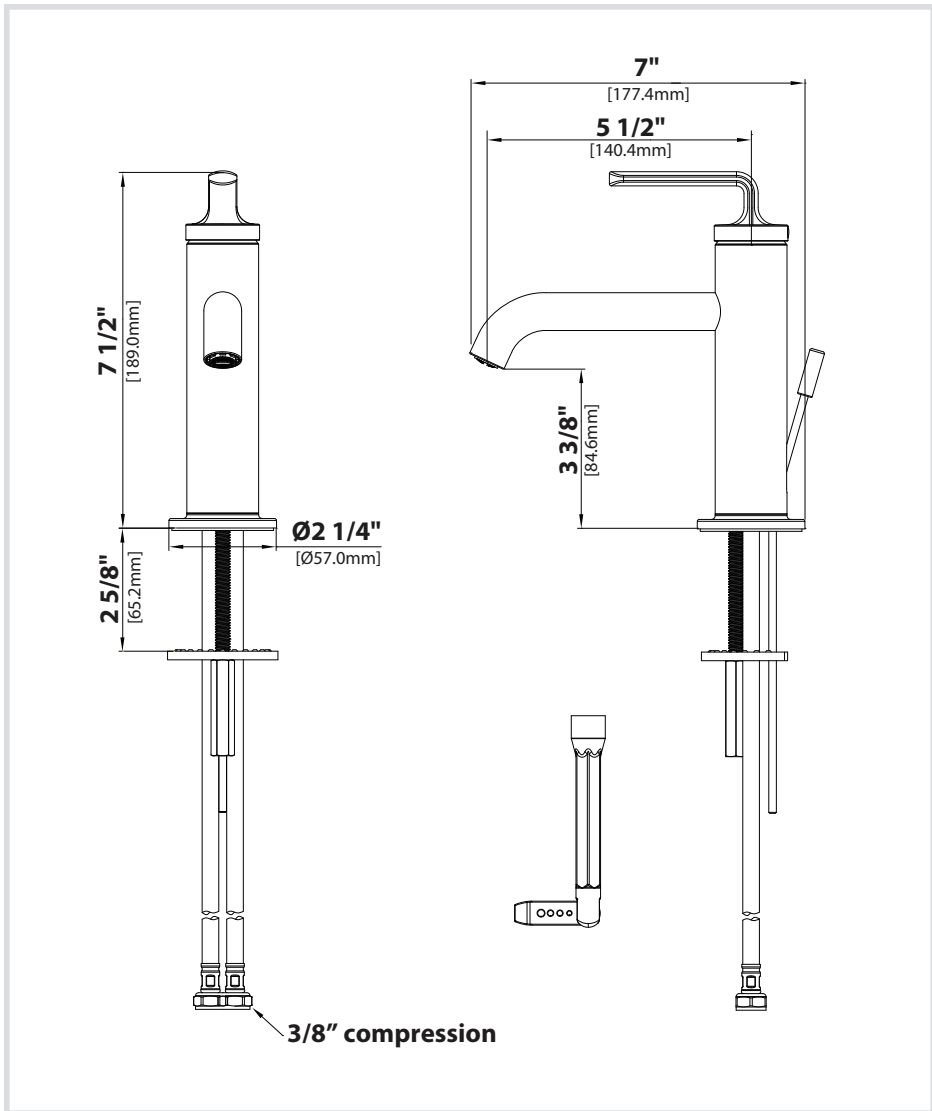
l. Clip

m. Extender Rod

n. Thumb Screw

o. Lift Rod

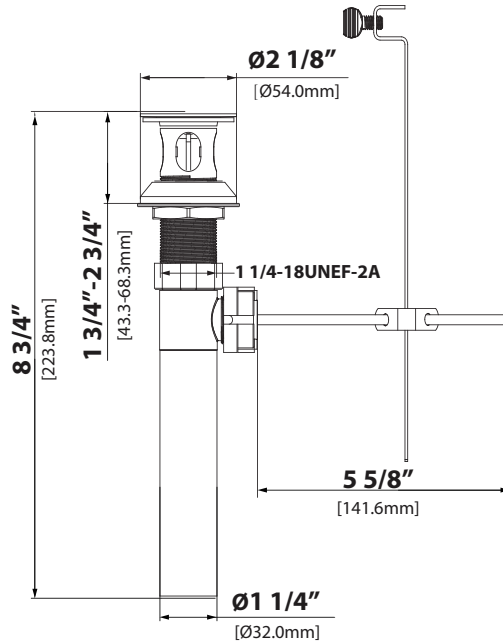
Faucet Dimension



Installer Tip:

Shut off main water supply before installing new faucet

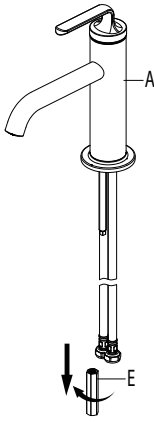
Drain Dimension



Installer Tip:

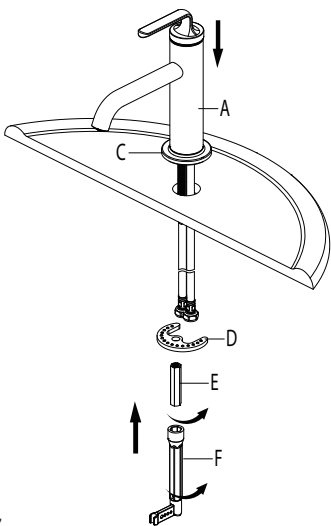
Shut off main water supply before installing new faucet

Step 1: Remove lock nut

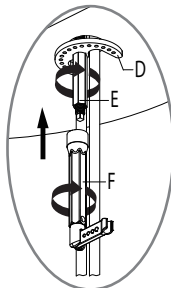


Shut off the water supply.
Remove the lock nut (E) from the faucet (A).

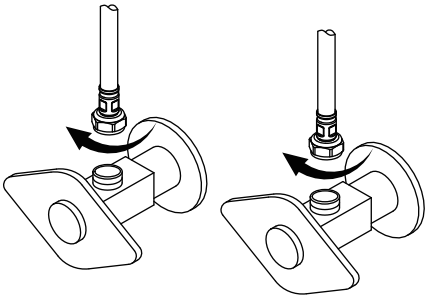
Step 2: Installing the faucet



Before installation, ensure that the flange (C) is placed on the bottom of the new faucet (A). Place faucet (A) through the hole in sink. Secure the faucet (A) to the sink using the metal washer (D) and lock nut (E) provided. Tighten lock nut (E) with spanner key (F) provided. Ensure the metal washer (D) and hoses are no interference.

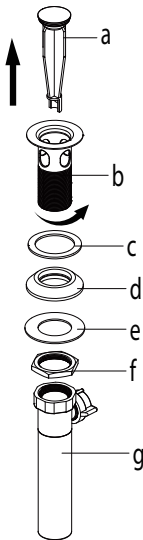


Step 3: Connect waterlines to main valve



Attach waterlines to angle stops and tighten until snug. Turn on angles stops and check for leaks (DO NOT TURN FAUCET ON)

Step 4A: Installing the drain



Remove waste stopper (a) and drain flange (b) from tailpipe (g). Remove concave washer (d), metal washer (e) and mounting nut (f) from drain flange (b).