

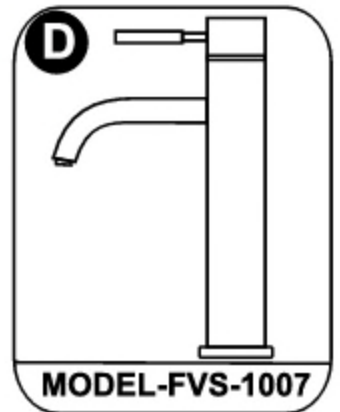
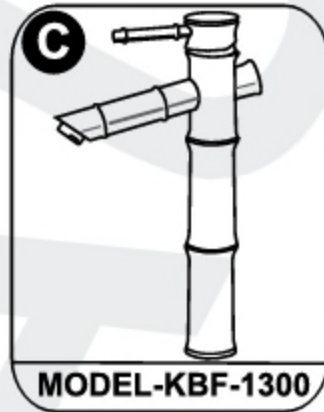
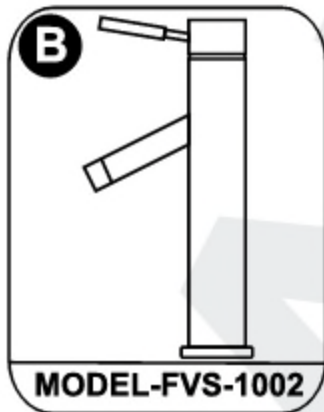
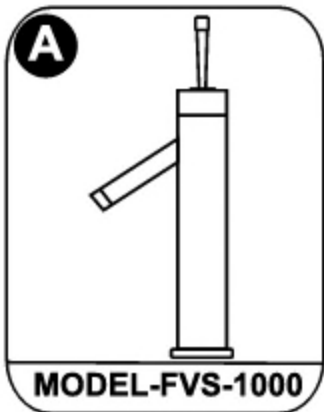
Product Description and Measurements

A *Bruno*

B *Sheven*

C *Bamboo*

D *Ramus*



Thank You

Dear Valued Customer,
Kraus would like to take this opportunity to thank you for this purchase. It is our sincere hope that you are completely satisfied with your new product. We welcome any questions or comments that you may have and look forward to assisting you with your accessory needs in the future.

Sincerely,
Kraus customer service department.

Prior To Installation Steps

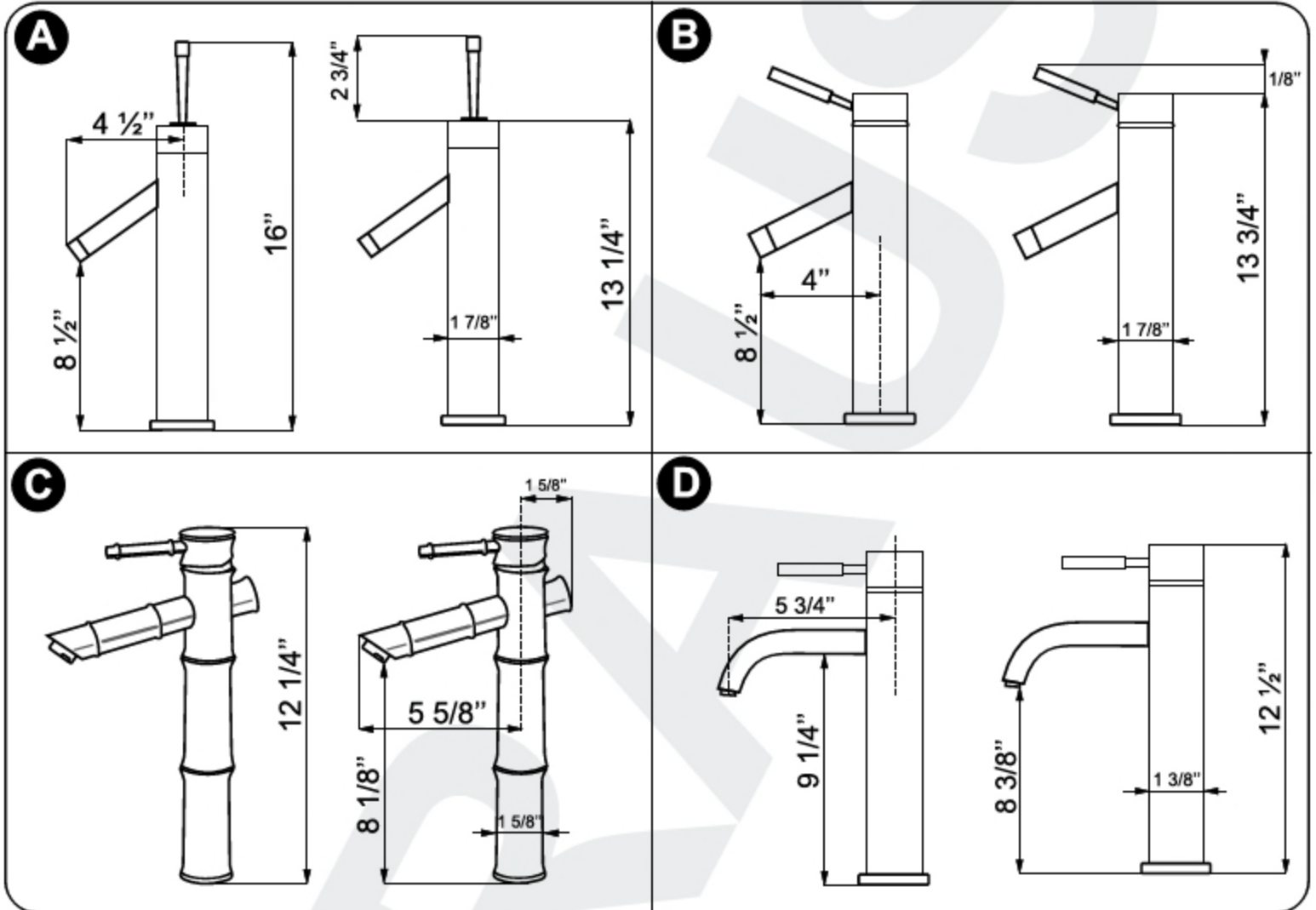
1. Unpack your new product and ensure that all the parts are included in the packaging. Keep the product in its original box until you ready to install it.
2. The counter top must be flat.
3. Shut off the water supply.
4. Observe all plumbing and building codes in your area.
5. It is recommended that installation of the product be done by a professional plumber.

Faucet Care and Maintenance

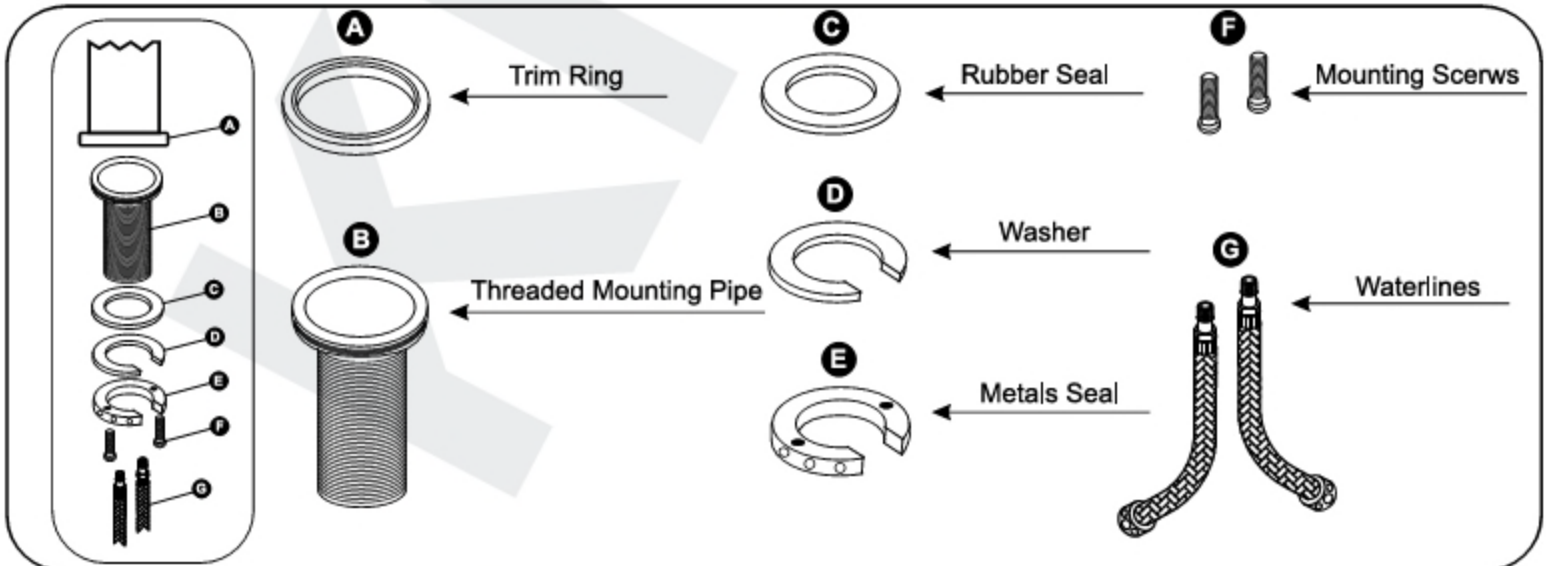
In order to maintain your faucet's original finish simply rinse with warm clean water and blot dry with a clean soft cloth only. Avoid using corrosive detergents, polishers, scrapers or any other abrasive materials. In case a buildup of dirt or mineral deposits should occur, gently remove it using a mild detergent or a mixture of vinegar with water to soften the build up and clear it away. Rinse thoroughly and immediately with water to assure no detergent remains on the surface and dry with a soft cloth.

At Kraus your satisfaction with quality and durability of our products is extremely important to us. Therefore, please follow the care and maintenance instructions in order to prolong the lifespan of your faucet.

Installation Instructions



Faucet Parts





Faucet Installation

Please remember to turn off the hot and cold valves prior to installation.

STEP 1. Check to see that your set contains the following parts:

- The faucet
- Hot and cold water lines
- One rubber washer
- One metal washer
- One mounting nut
- Two mounting bolts (located on the mounting nut)

STEP 2. Remove the mounting hardware (washers, mounting nut with mounting bolts) from the faucet.

STEP 3. While holding the faucet facing you locate the two openings inside the base of the faucet.

The left opening is for the hot water supply line and the right opening is for the cold water supply line

STEP 4. Gently screw in the hot and cold water lines. Make sure the waterlines are tightly screwed in place.

STEP 5. Insert the waterlines through the faucet opening in the countertop and place the faucet on the countertop.

Make sure the faucet is facing forward and is aligned properly.

STEP 6. From underneath the countertop, place the rubber washer first so that it sits on top of the metal washer.

STEP 7. Screw the mounting nut onto the faucet from underneath the countertop.

STEP 8. Tighten the mounting bolts (located on the mounting nut) until the faucet is held tightly in place.

STEP 9. Connect the hot and cold water supply lines to the corresponding water supply valves.

About Kraus

Kraus is a leading designer and manufacturer of a broad selection of unique bathroom fixtures and accessories, including vessel sinks, faucets, showers, vanities and bathroom accessories. Kraus incorporates its distinguished style with superior functionality and affordability maintaining the highest standards of quality in its vast product line.

The Kraus brand name represents a fusion of leading-edge technology and an eye toward design. Our design team continuously explores broader markets, seeking new trends while maintaining superior quality at unprecedented prices. The Kraus collection has the widest selection of exquisite styles for any type of décor, ranging from modern residences to countryside homes.

For Kraus, durability and reliability have always been vital components for achieving the highest standards of excellence. Every model we offer undergoes rigorous testing and inspection prior to distribution.

The key element of our success is our customers' satisfaction. As a result, our products are in high demand with shoppers worldwide.