



Galaxy SQ-270

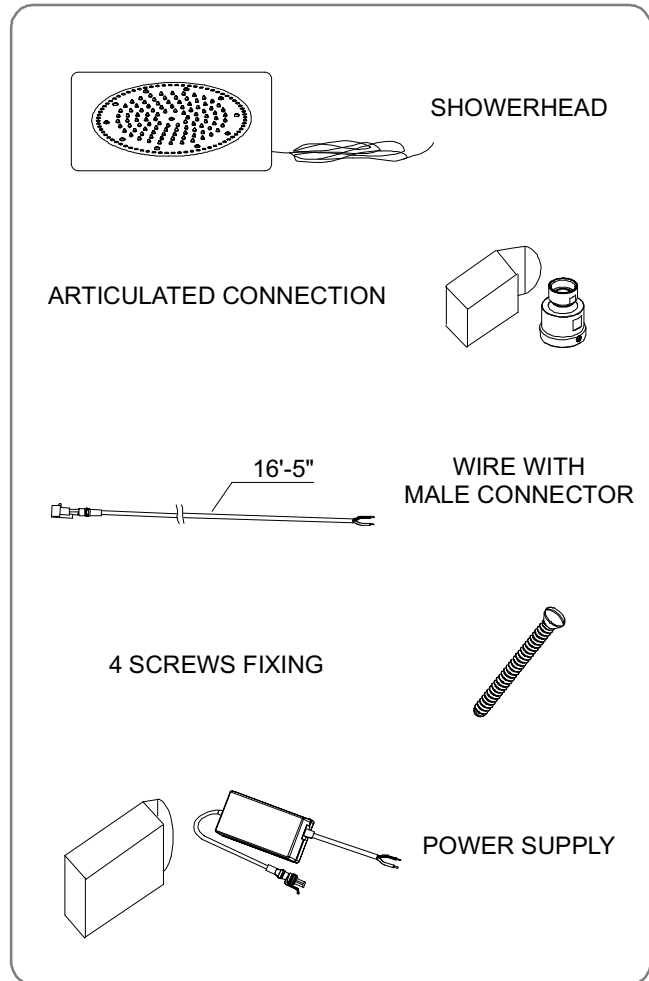
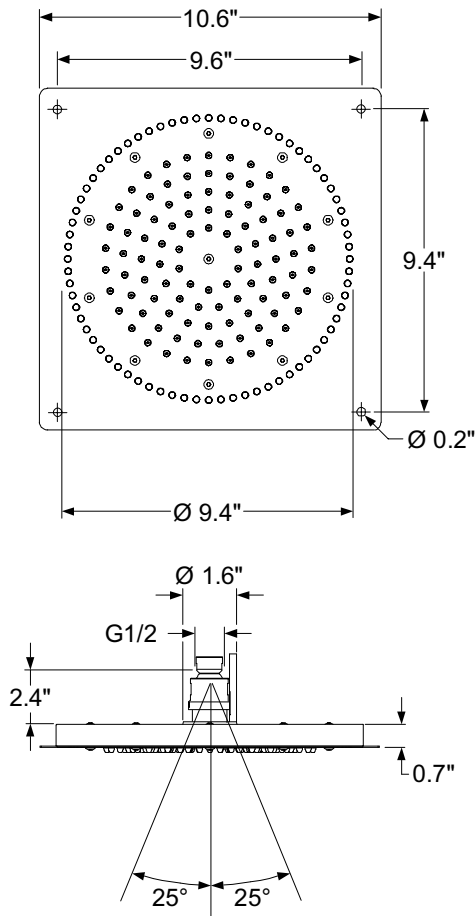
Built-In Shower Head

Installation & Care Manual
USA / Canada

Galaxy SQ-270

Built-In Shower Head

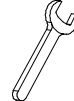
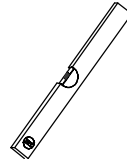
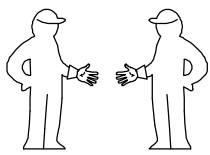
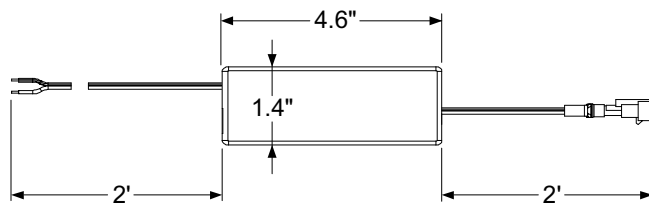
PARTS LIST



POWER SUPPLY

INPUT: ~ 100/240 V AC
~ 50/60 Hz 0.55 A

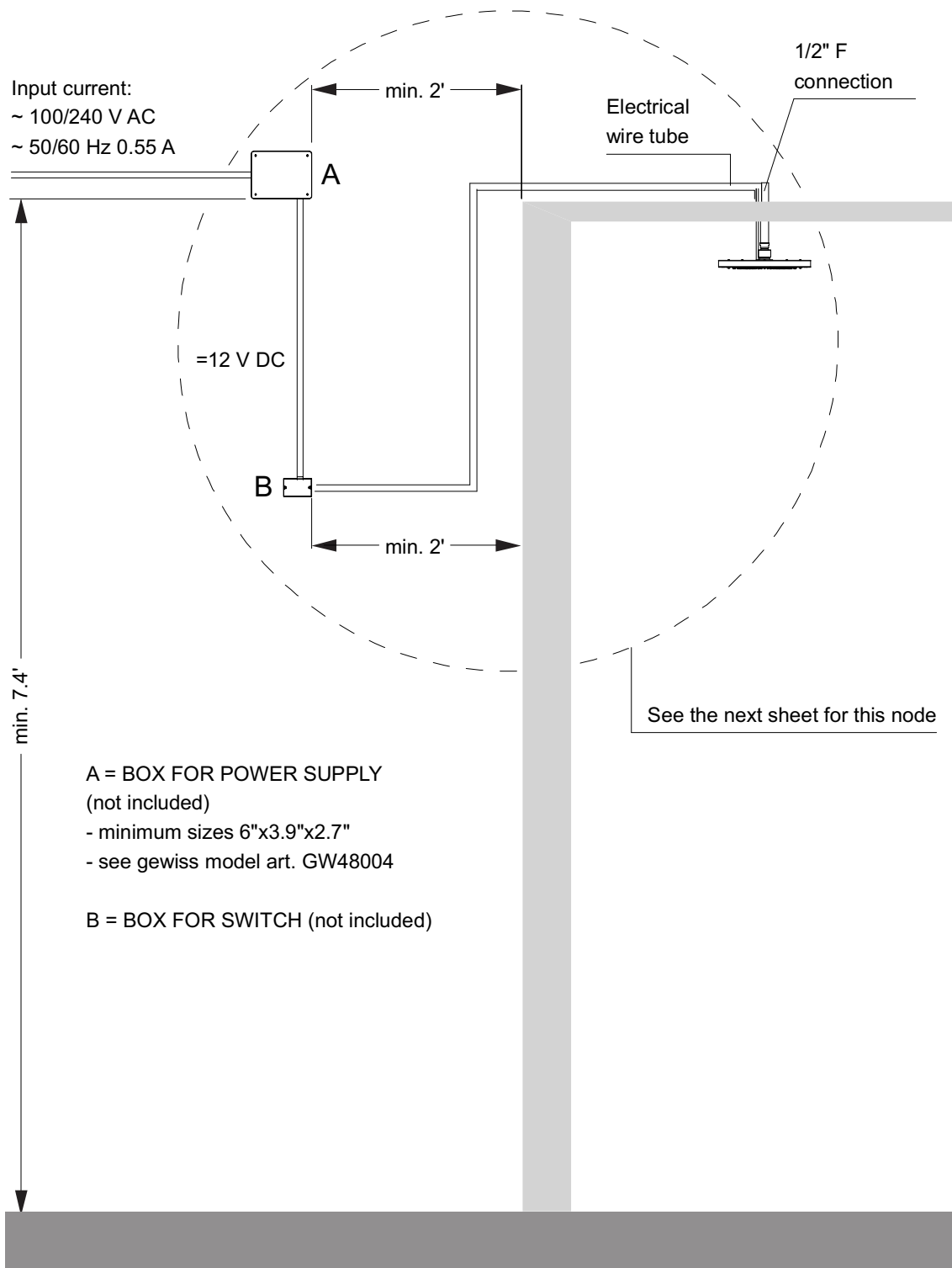
OUTPUT: 12 V 1.67 A 20W



Galaxy SQ-270

Built-In Shower Head

INSTALLATION SEQUENCE



Galaxy SQ-270

Built-In Shower Head

INSTALLATION SEQUENCE continued

aquatica®

Function, Form & Fashion

Power Supply:

INPUT: ~ 100/240 V AC

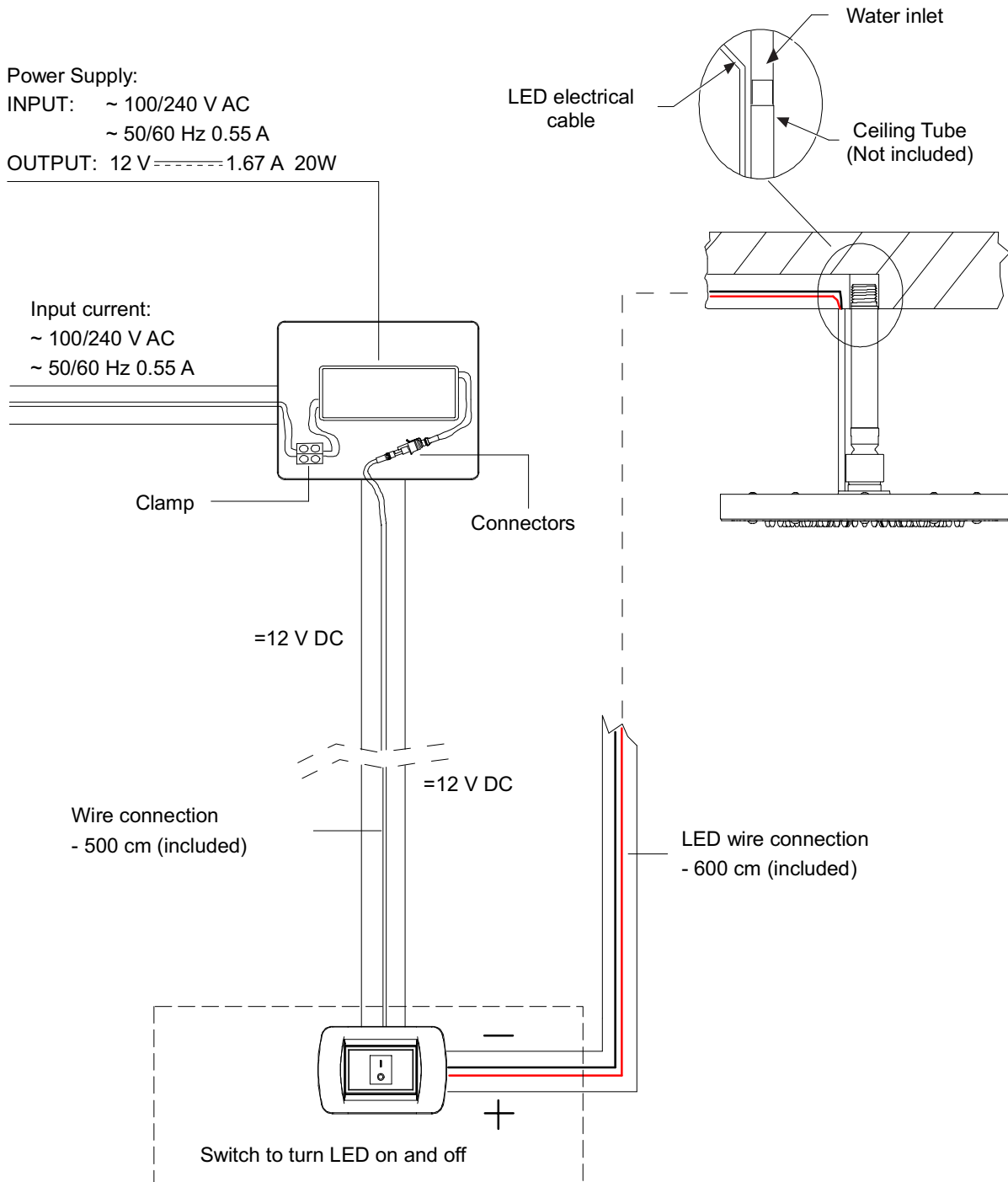
~ 50/60 Hz 0.55 A

OUTPUT: 12 V ----- 1.67 A 20W

Input current:

~ 100/240 V AC

~ 50/60 Hz 0.55 A



ATTENTION !

- Never put the (~100/240 V) power supply input wires together in the same conduit pipe with the (=12 V) power supply output wires that are then to be connected to the shower head wires.

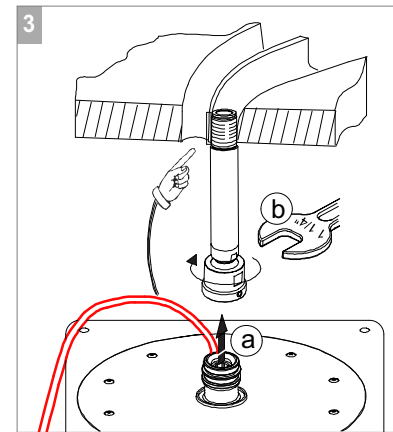
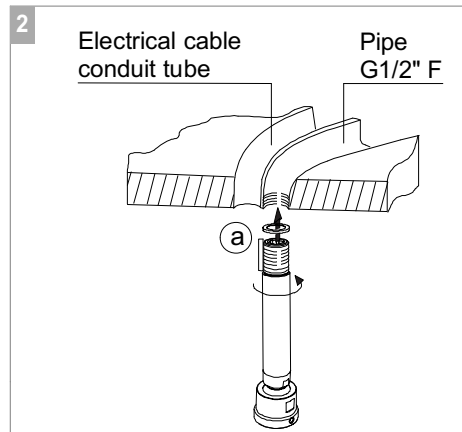
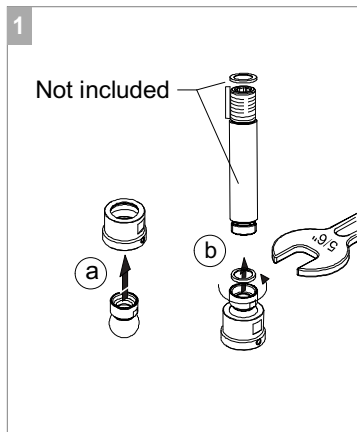
aquatica®

Function, Form & Fashion

Galaxy SQ-270

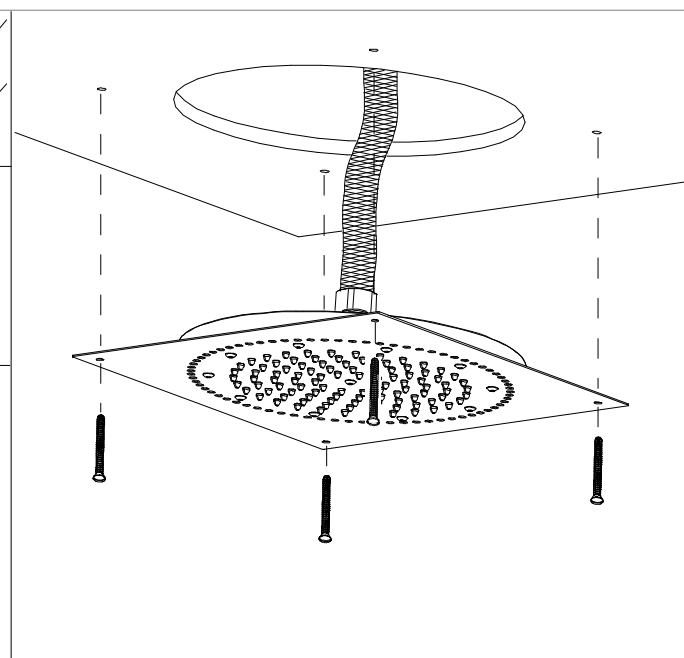
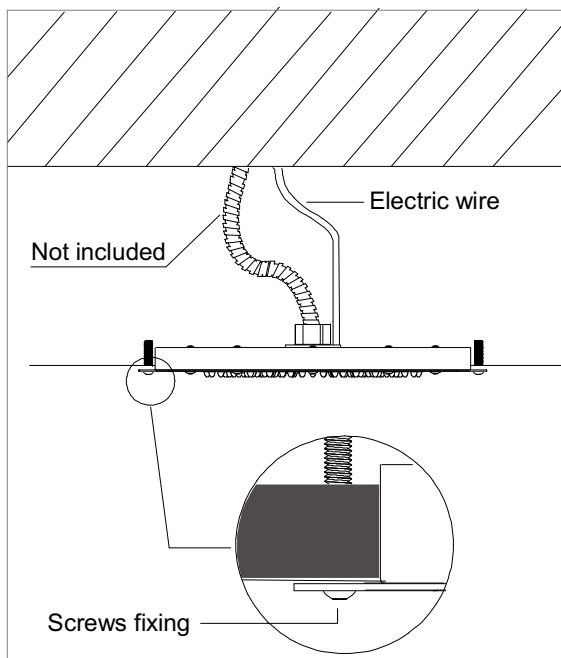
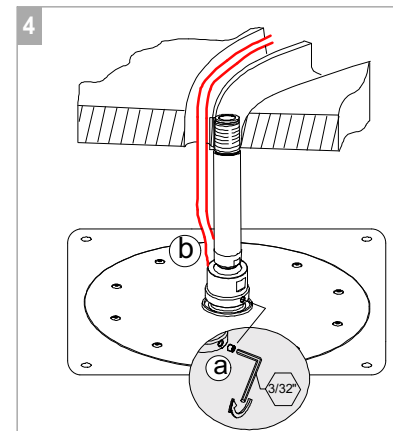
Built-In Shower Head

INSTALLATION SEQUENCE continued



ATTENTION:

- Before attaching the electrical power lines, check and verify the security of the connections and the operation of the shower head.
- The ATTACHMENT of the SHOWER HEAD PANEL to the drop-ceiling panels must guarantee the mechanical solidity of the shower head itself. Attachment is performed by way of screws that are not supplied. It is necessary to provide for an opening in the drop-ceiling panels, near the shower head, which may be used, in the event of maintenance necessities, access to the area above the drop-ceiling itself.



Galaxy SQ-270

Built-In Shower Head

aquatica®

Function, Form & Fashion

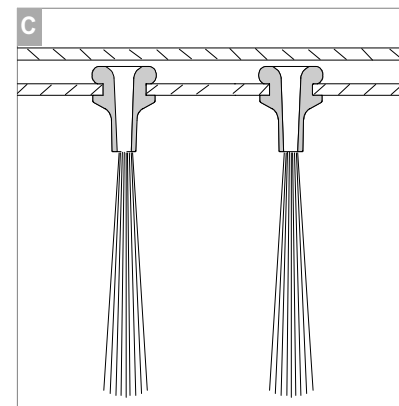
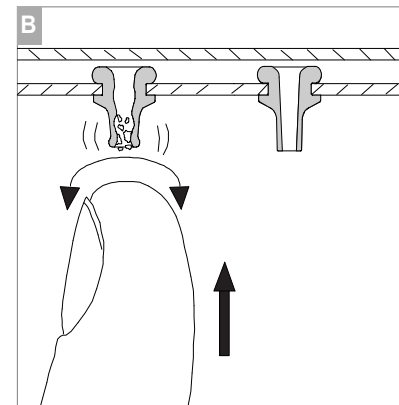
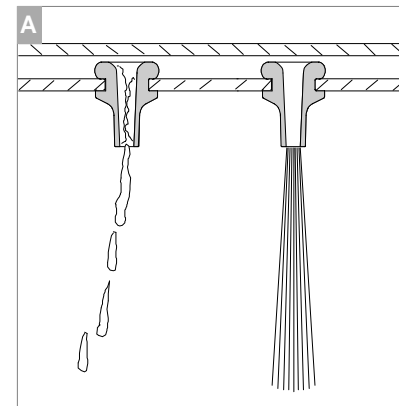
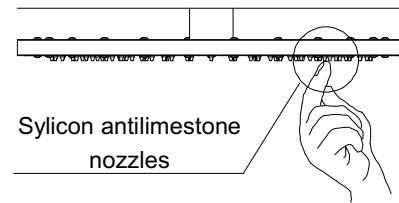
CLEANING AND MAINTENANCE

The correct cleaning of the showerhead has to be done with water and soap, rinsed and dried with a doeskin or a soft cloth. Absolutely do not use alcohol, solvents, solid or liquid containing corrosive or acid substances (hydrochloric, formic, acetic and phosphoric acid), synthetic fibres, cloths, abrasive sponges and plugs with metallic thread, because they could irreversibly alter the treated surfaces.

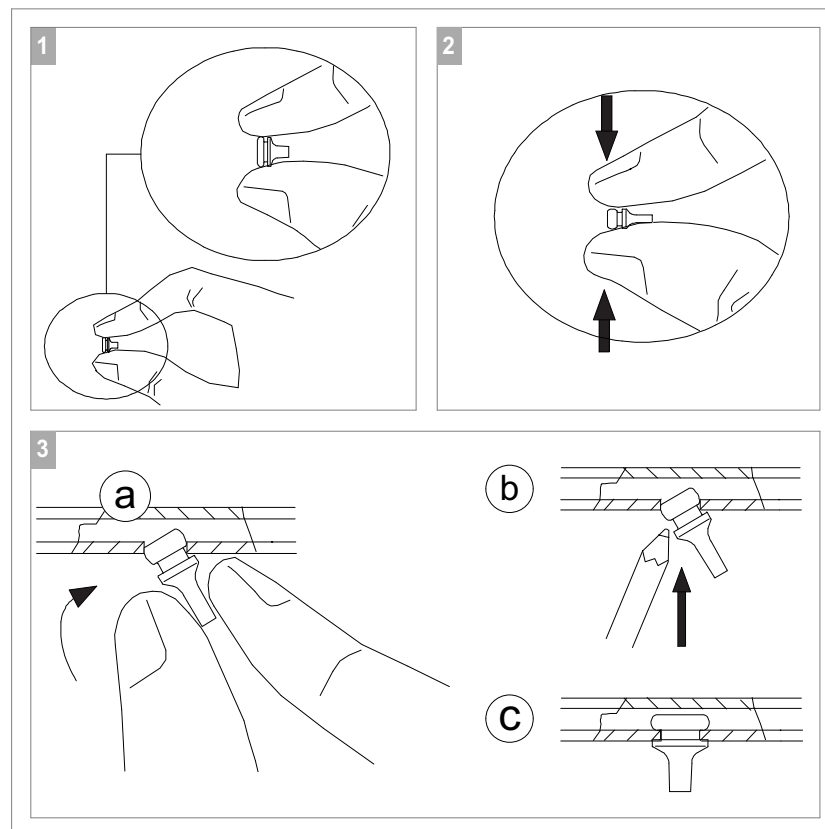
Our devices do not need any particular maintenance with the exception of the periodic cleaning of the rubber part (nozzles) of the shower head, that they

may become locked by formations of limestone just rub with your finger to remove the limestone.

ATTENTION: periodically check the nipples, as an excess of dirt in them may generate extra pressure inside the shower head compromising the operation.



NOZZLES REPLACEMENT



aquatica®

Function, Form & Fashion

aquatica®

Function, Form & Fashion



aquatica®
Function, Form & Fashion