

Celine-157

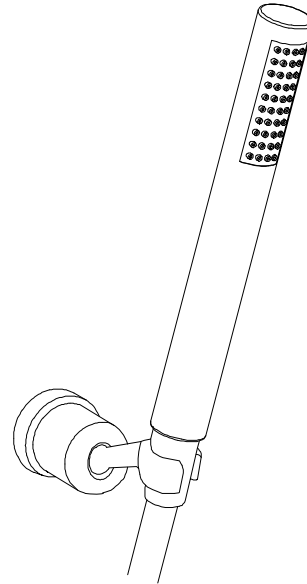
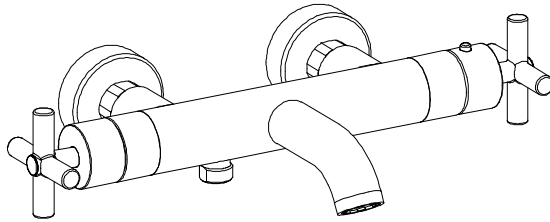
Wall Mounted Bath Filler

Installation & Care Manual
USA / Canada

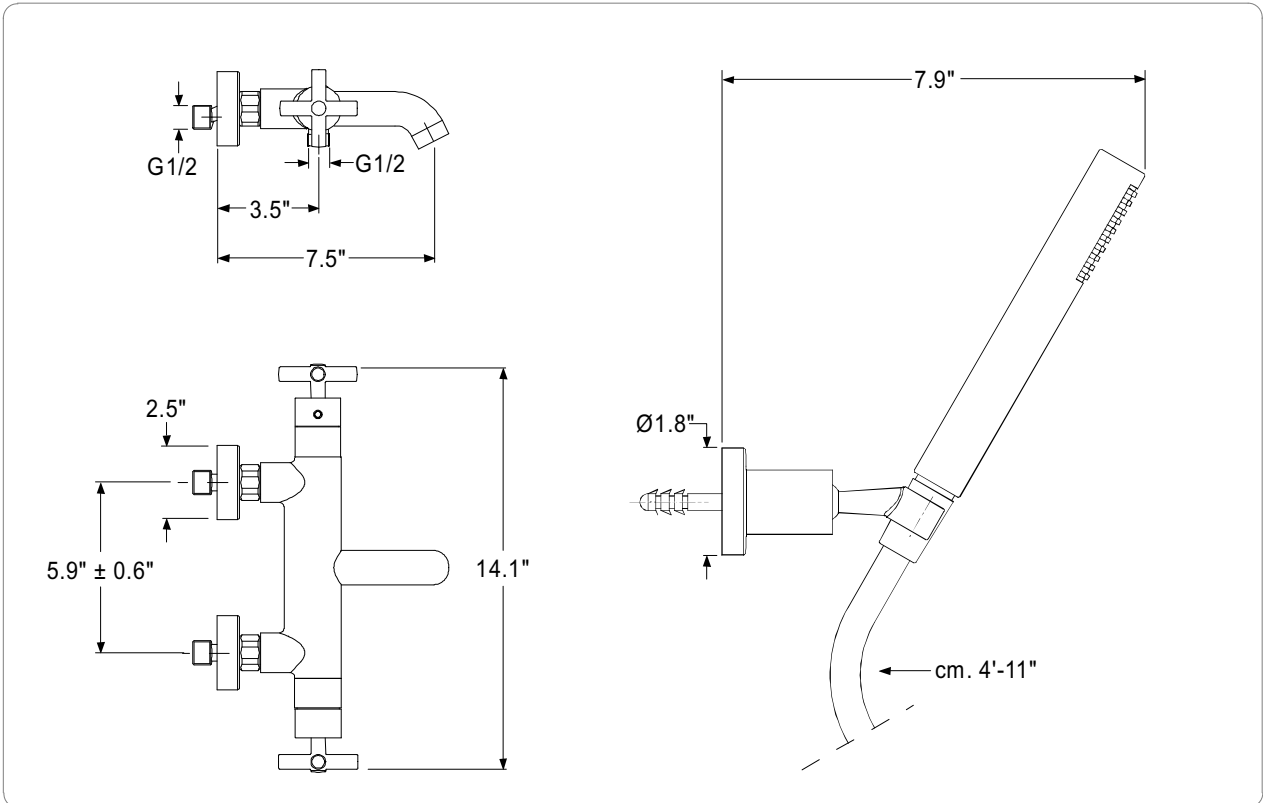
Celine-157

Wall Mounted Bath Filler

PARTS LIST



 MEASUREMENTS: inches

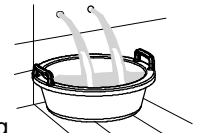


SPECIFICATIONS

Recommended operational pressure	1-5 bar
Maximum test pressure	16 bar
Maximum hot water temperature	80 °C
Recommended temperature	50-60 °C
Pressure difference between hot and cold water	max. 1,5 bar

IMPORTANT NOTE

- Installation to be performed by qualified personnel
- Before connecting to mains, bleed the pipes to avoid damage.



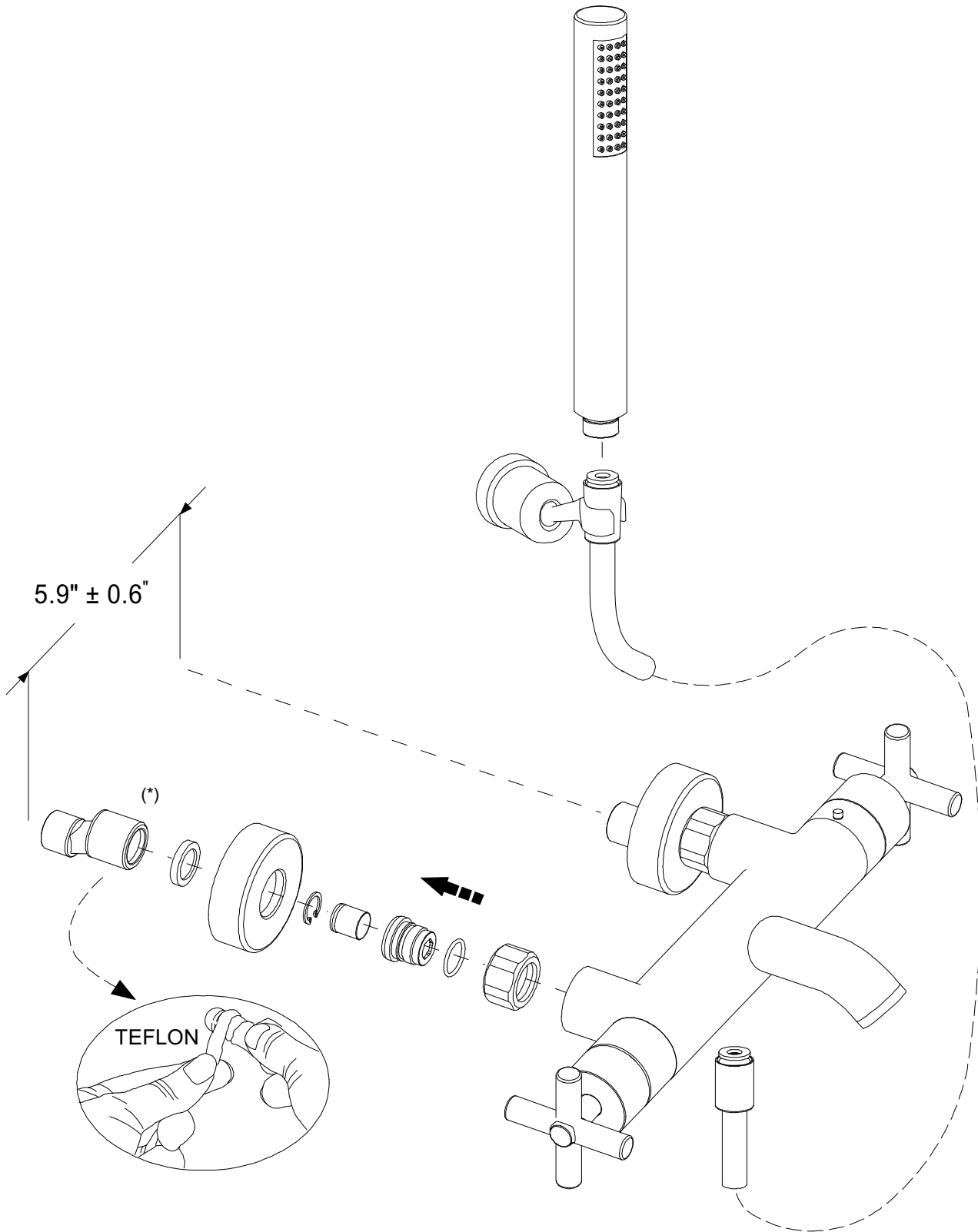
Celine-157

Wall Mounted Bath Filler

INSTALLATION

aquatica®

Function, Form & Fashion



Celine-157

Wall Mounted Bath Filler

INSTALLATION continued

