

aquatica®

Function : Form : Fashion



*CS-800*

Universal thermostatic concealed body  
with 1 or 2 or 3 outlets

Installation & Care Manual

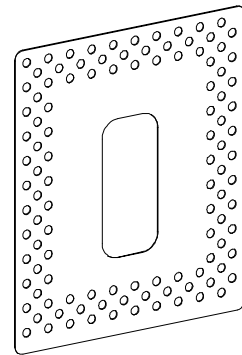
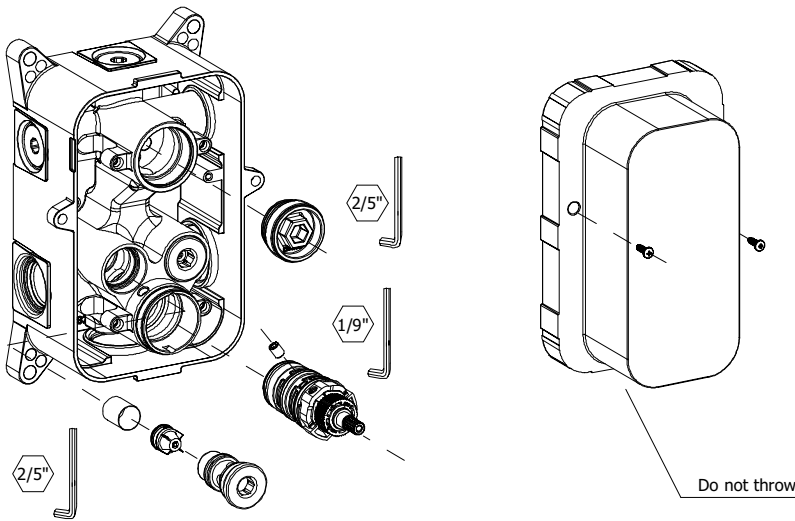
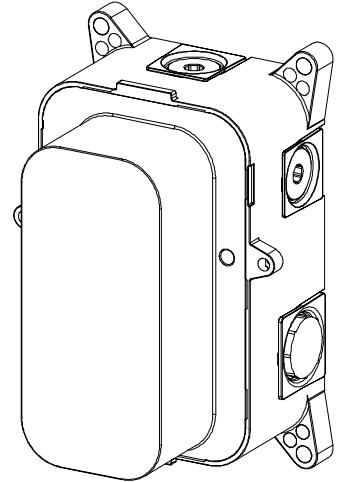
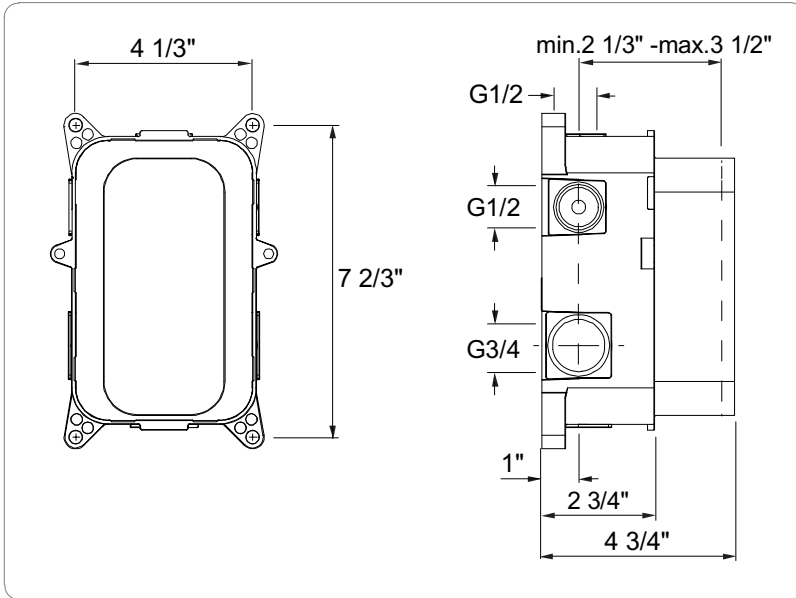
USA / Canada

# CS-800

Universal thermostatic concealed body  
with 1 or 2 or 3 outlets

## PARTS LIST

 MEASUREMENTS: inch

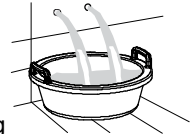


### SPECIFICATIONS

Recommended operational pressure .....	1-5 bar
Maximum test pressure .....	16 bar
Maximum hot water temperature .....	80 °C
Recommended temperature .....	50-60 °C
Pressure difference between hot and cold water .....	max. 1,5 bar

### IMPORTANT NOTE

- Installation to be performed by qualified personnel
- Before connecting to mains, bleed the pipes to avoid damage.



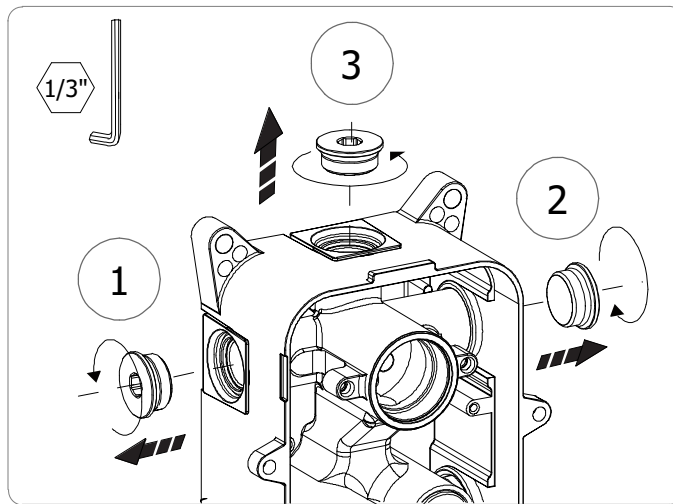
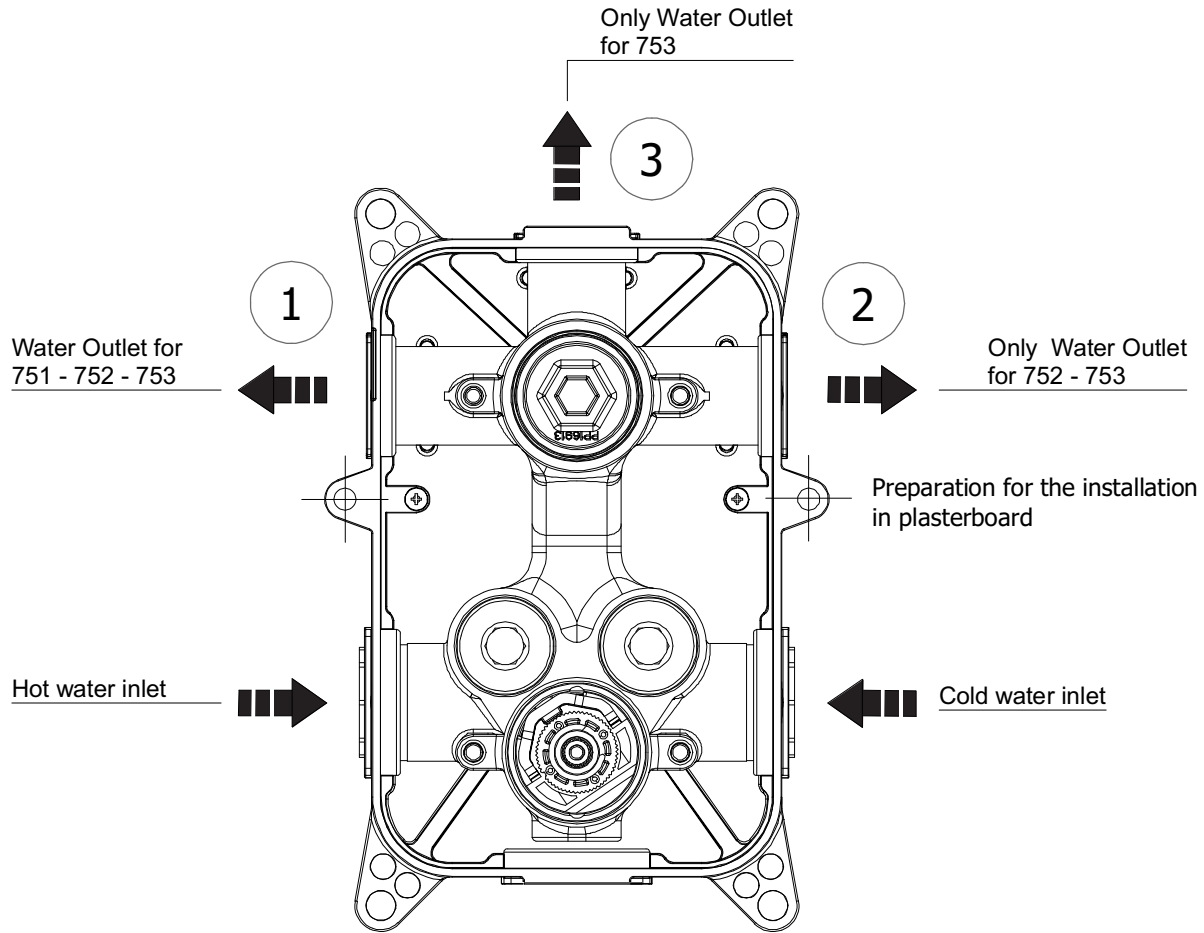
# CS-800

Universal thermostatic concealed body  
with 1 or 2 or 3 outlets

## INSTALLATION SEQUENCE

aquatica®

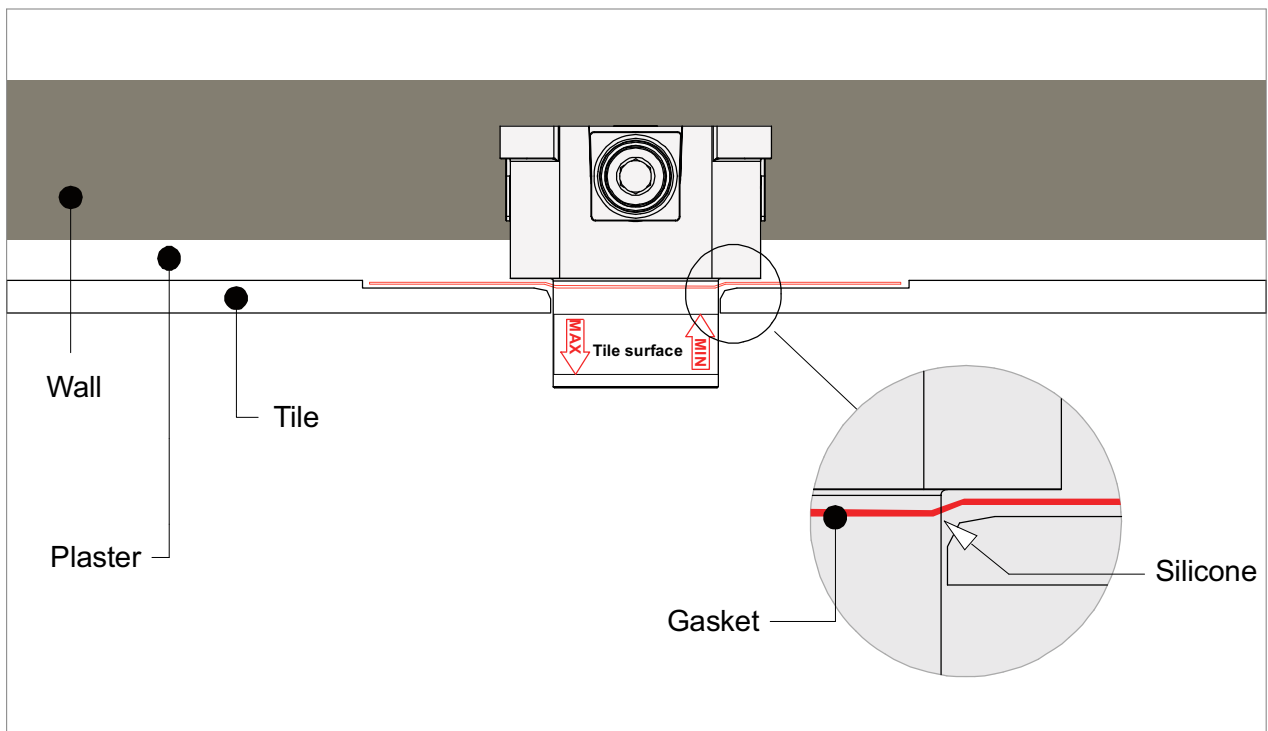
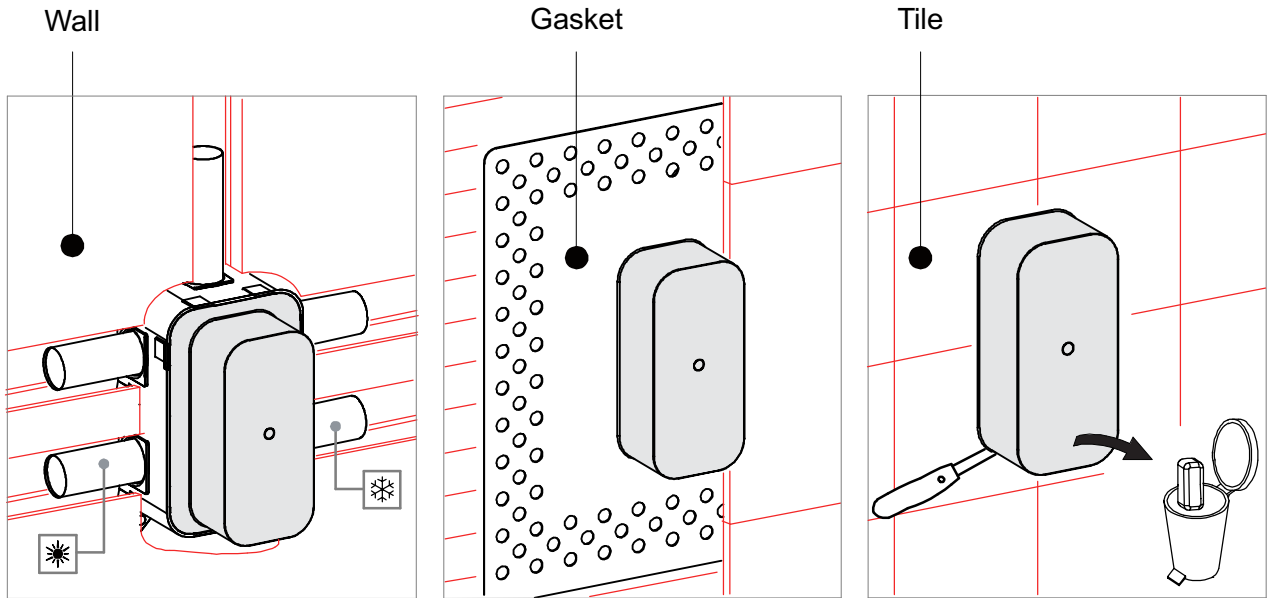
Function : Form : Fashion



# CS-800

Universal thermostatic concealed body  
with 1 or 2 or 3 outlets

## INSTALLATION SEQUENCE



# aquatica®

Function : Form : Fashion

