

aquatica®

Function : Form : Fashion



CS-800

Universal thermostatic concealed body
with 1 or 2 or 3 outlets

Installation & Care Manual

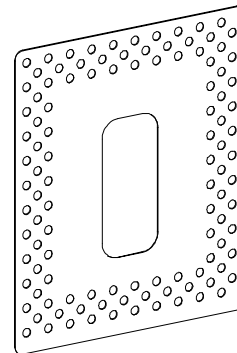
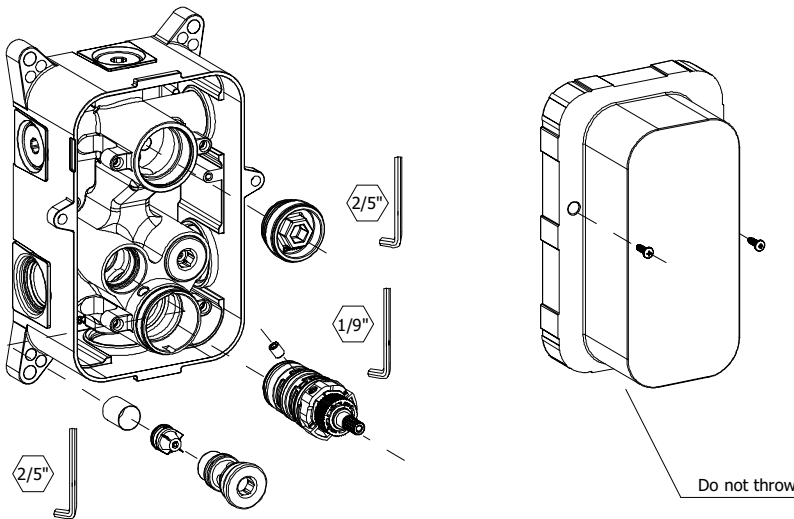
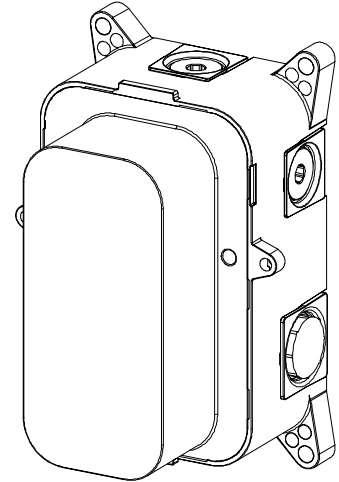
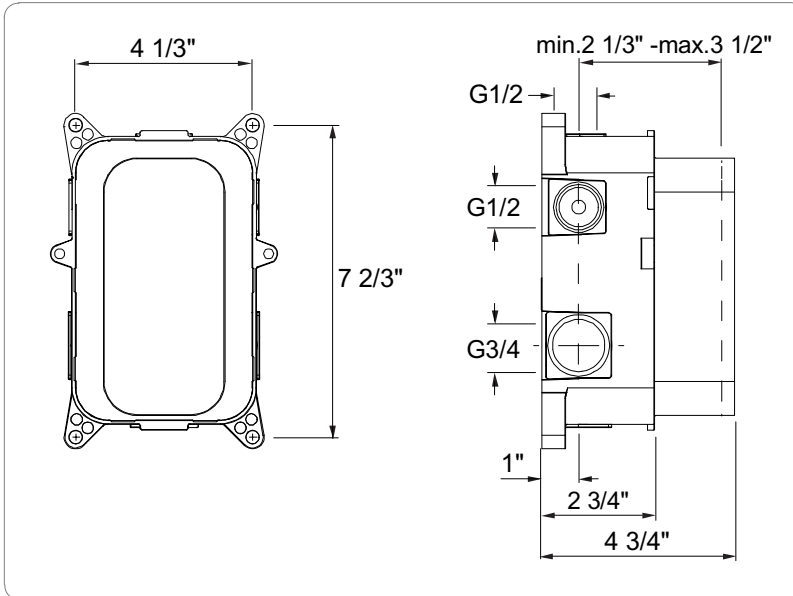
USA / Canada

CS-800

Universal thermostatic concealed body
with 1 or 2 or 3 outlets

PARTS LIST

 MEASUREMENTS: inch

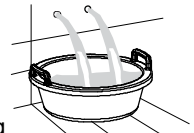


SPECIFICATIONS

Recommended operational pressure	1-5 bar
Maximum test pressure	16 bar
Maximum hot water temperature	80 °C
Recommended temperature	50-60 °C
Pressure difference between hot and cold water	max. 1,5 bar

IMPORTANT NOTE

- Installation to be performed by qualified personnel
- Before connecting to mains, bleed the pipes to avoid damage.



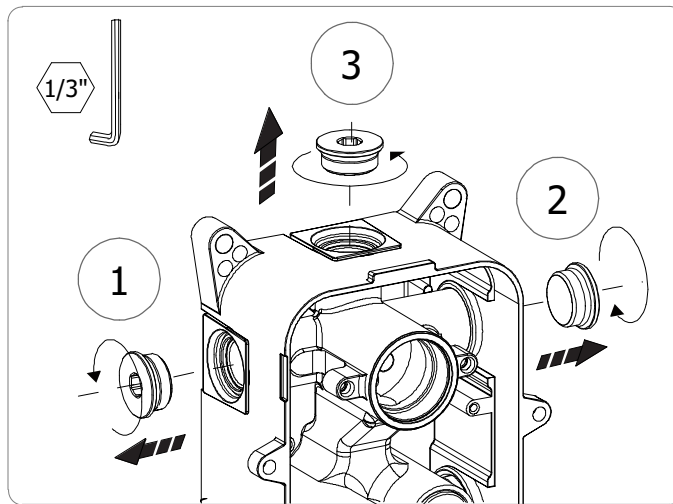
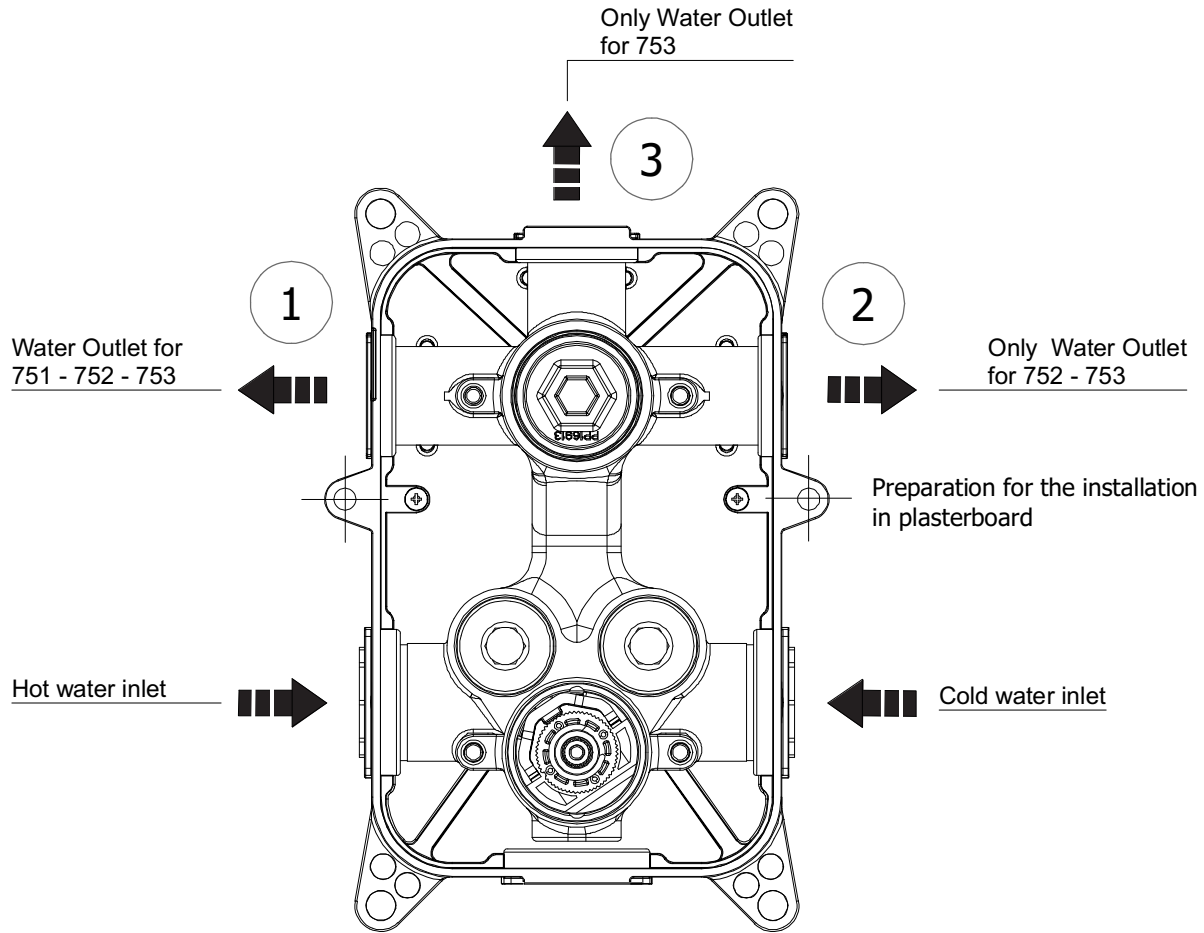
CS-800

Universal thermostatic concealed body
with 1 or 2 or 3 outlets

INSTALLATION SEQUENCE

aquatica®

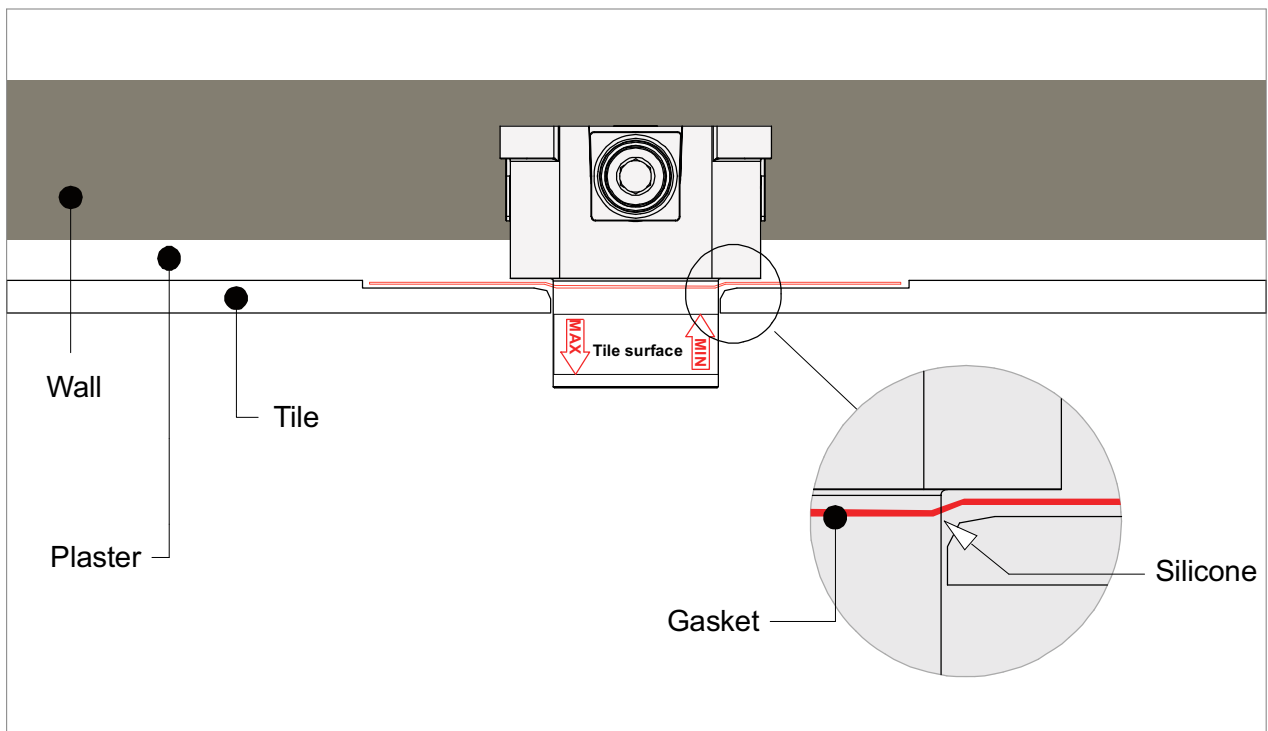
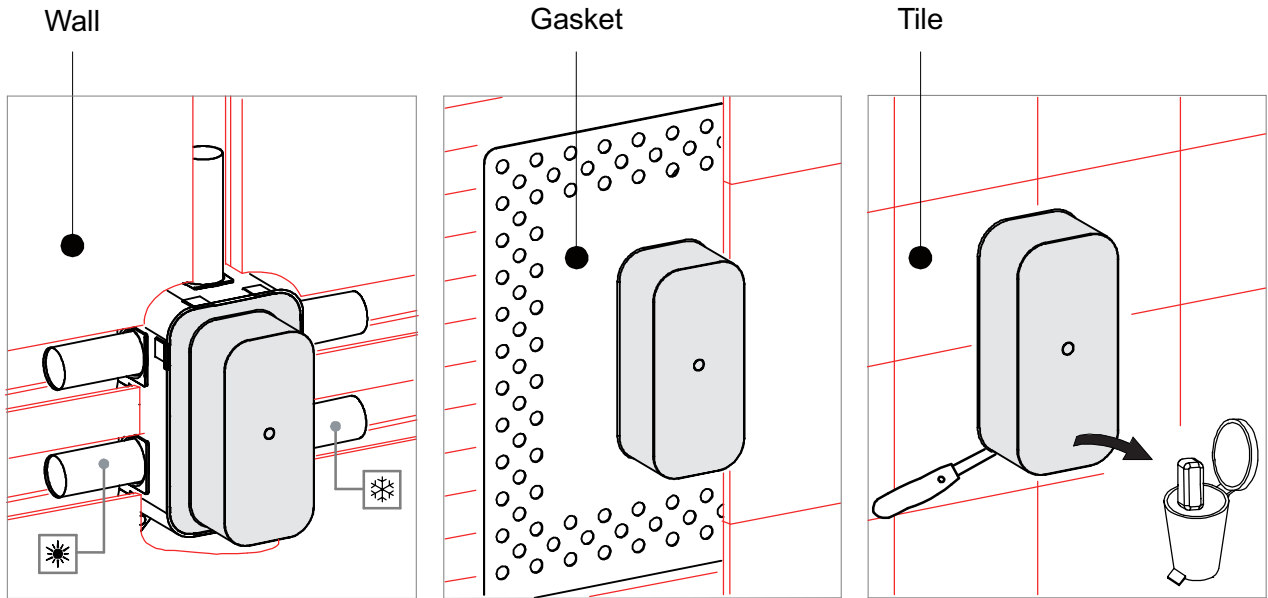
Function : Form : Fashion



CS-800

Universal thermostatic concealed body
with 1 or 2 or 3 outlets

INSTALLATION SEQUENCE



aquatica®

Function : Form : Fashion

