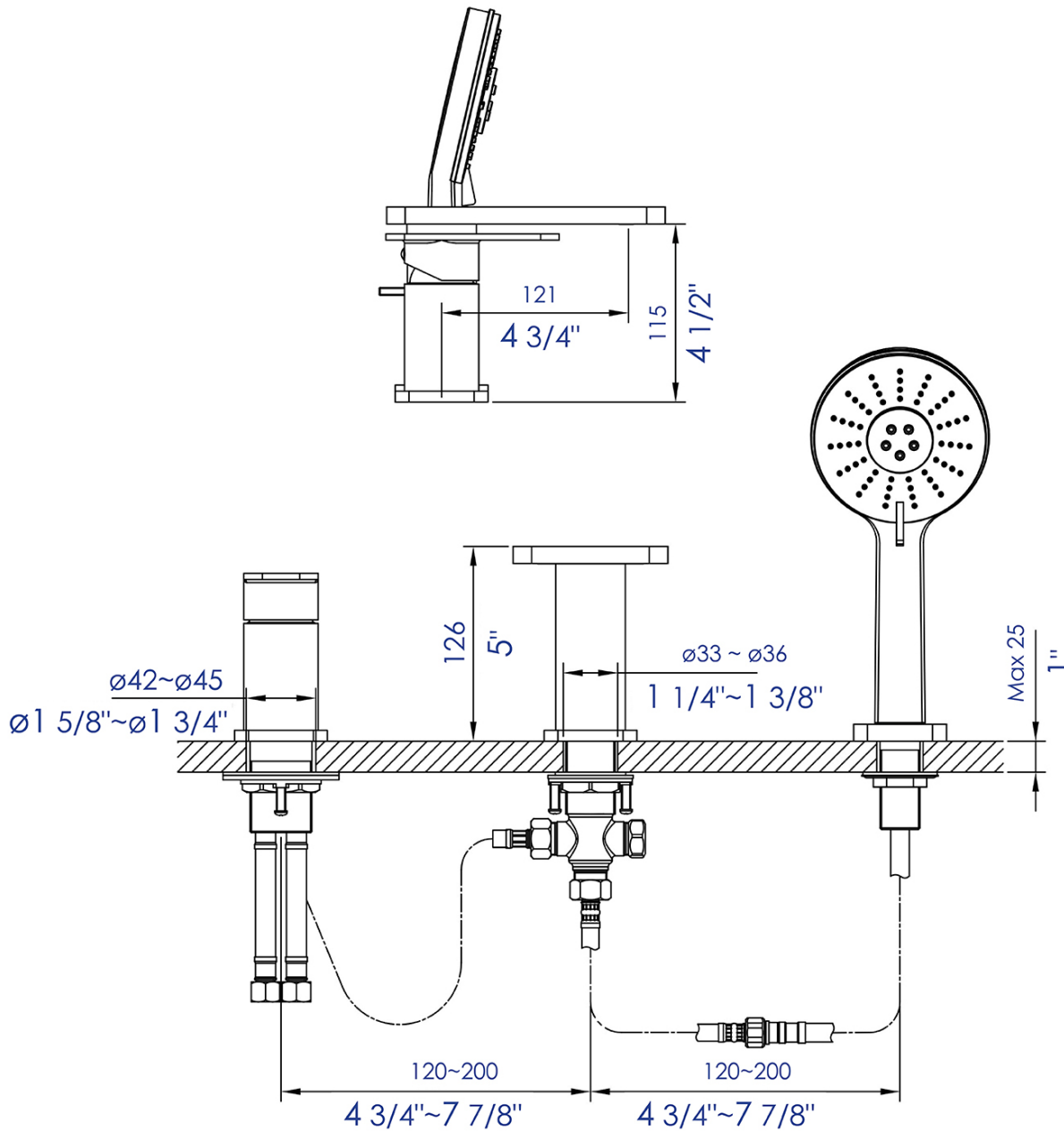


AB2879

Deck Mounted Tub Filler with Hand Held Showerhead



●●kitchensource.com
☎ 1.800.667.8721