



Single-handle concealed washbasin mixer

Thank you for choosing our company.

Please make sure you have all necessary parts by checking the diagram and component list.
Please make sure of proper installation and maintenance for long-term performance.

Important notice:

1. Improper installation may cause severe failure, please make sure that installation must be carried out by qualified or well-experienced plumbers.
2. This diagram is for reference only. The installation procedures may slightly differ from one to other type of single-handle concealed washbasin mixer.

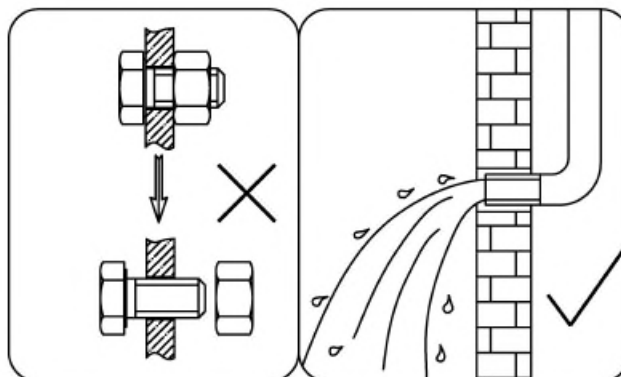
※ Warnings:

- ☆ Disassembling of the concealed valve is prohibited, as it has been assembled & commissioned to the best using condition.
- ☆ Before installing, flush the water supplying pipes.
- ☆ Do not over-forcing when installing.
- ☆ Corrosive materials such as plastic cement or glue is prohibited when installing valves, angle valves or connecting flexible hoses.
- ☆ Make sure to connect hot and cold supplying water pipes correctly, left to hot and right to cold facing from front of the valve.
- ☆ After installation, check joints to make sure of no leakage.

☆ Technical parameters:

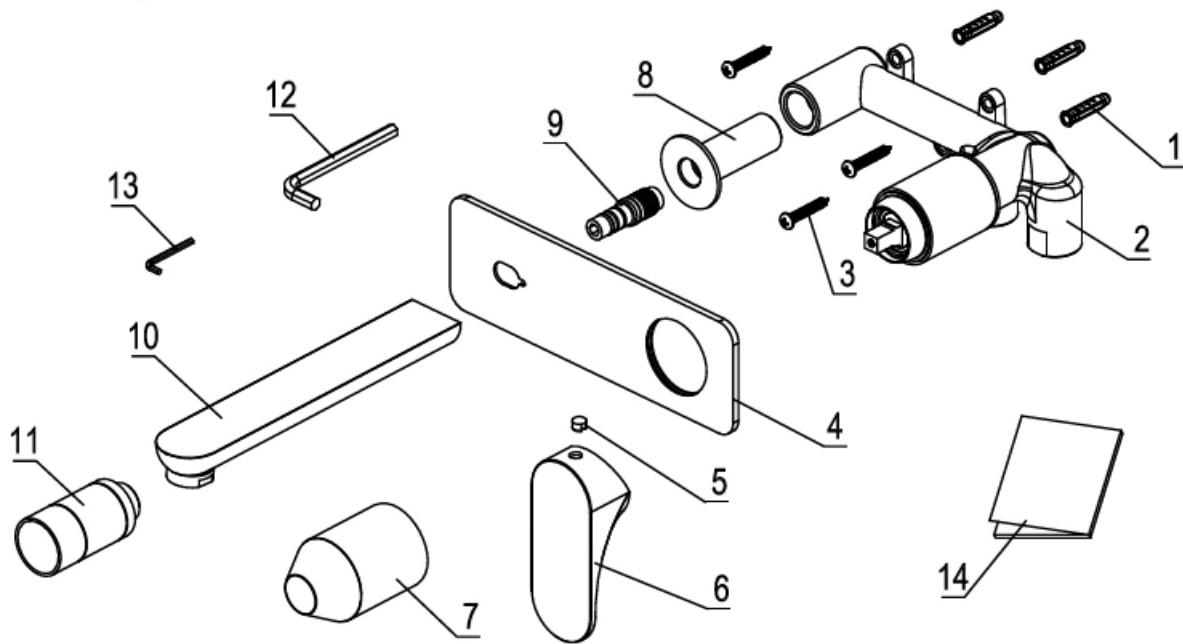
Norminal working pressure: 0.05MPa-1.0MPa (7.26psi-145psi).

Water temperature: 4°C-90°C.



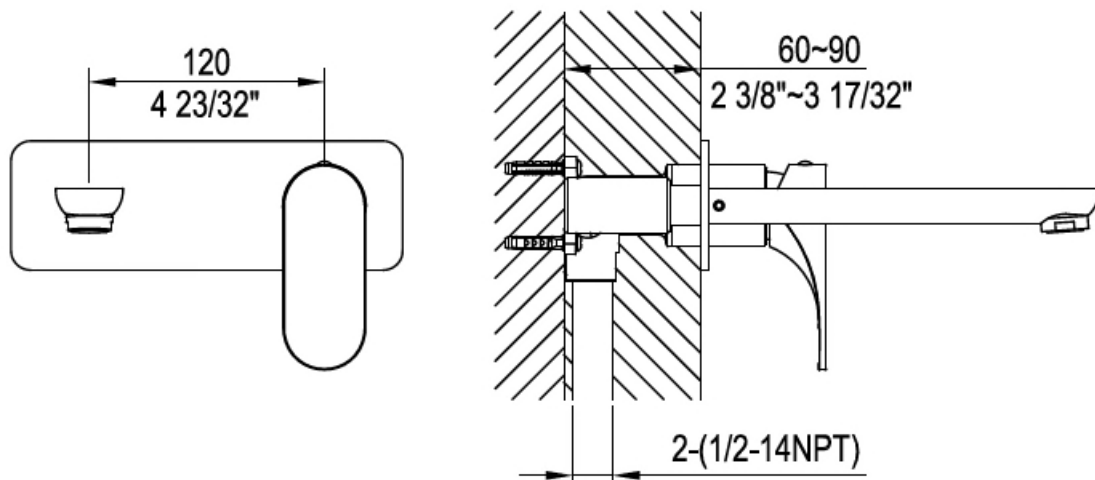
Single-handle concealed washbasin mixer

※ Component List



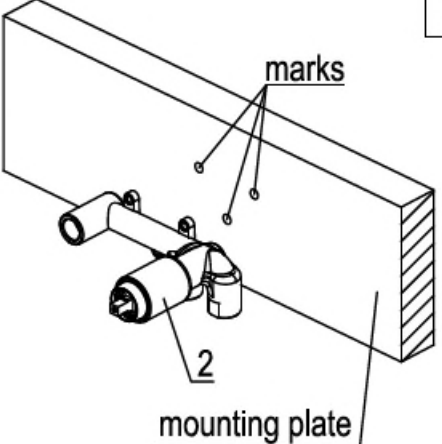
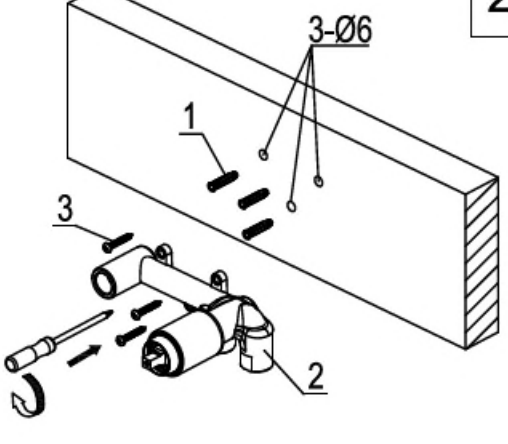
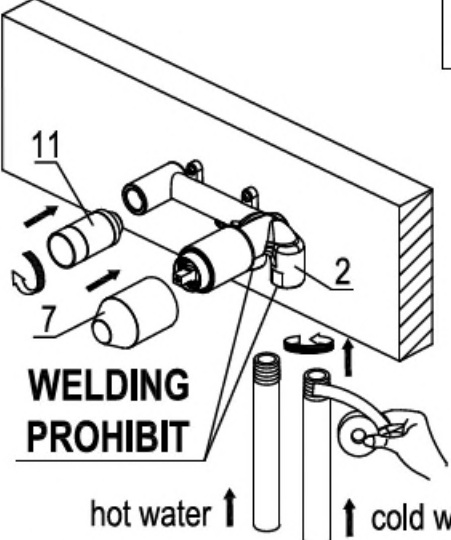
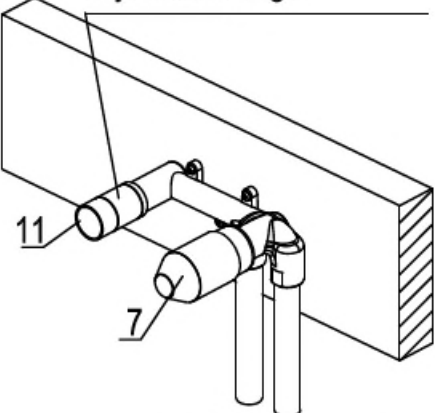
The Component List	Qty.	The Component List	Qty.	The Component List	Qty.
1. Expanding plastic grain	3	6. Handle	1	11. Plastic guard B	1
2. Concealed body	1	7. Plastic guard A	1	12. Allen wrench A	1
3. Self-tape screw	3	8. Positioning pipe	1	13. Allen wrench B	1
4. Decorative plate	1	9. Connecting pipe	1	14. Manual	1
5. Decorative plug	1	10. Spout	1		

※ Dimension Drawing

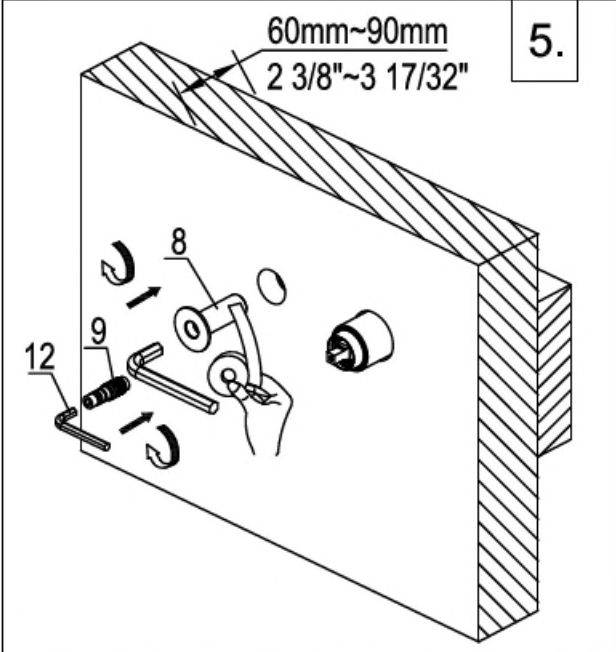
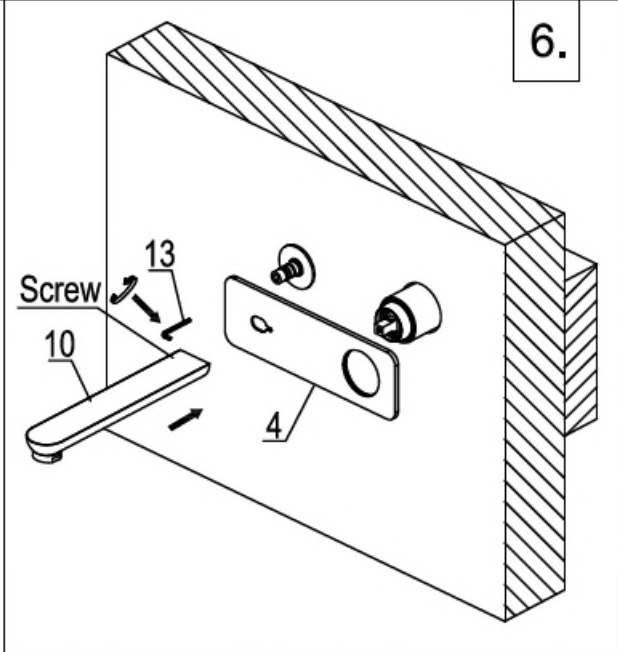
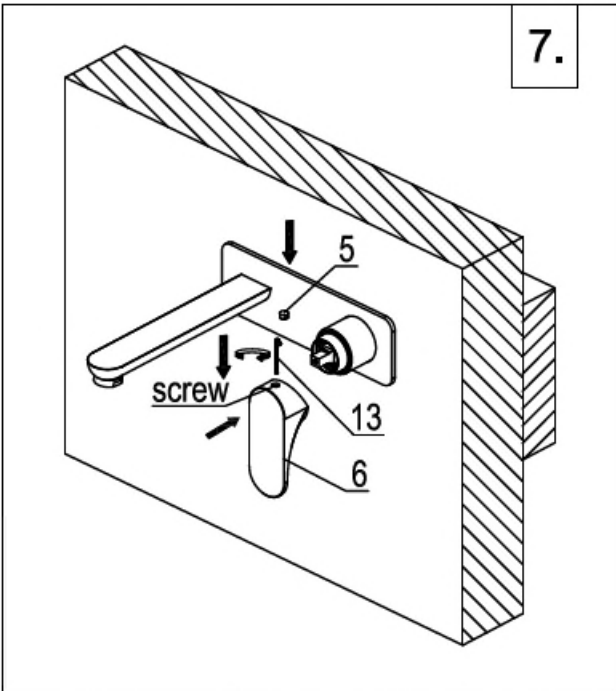
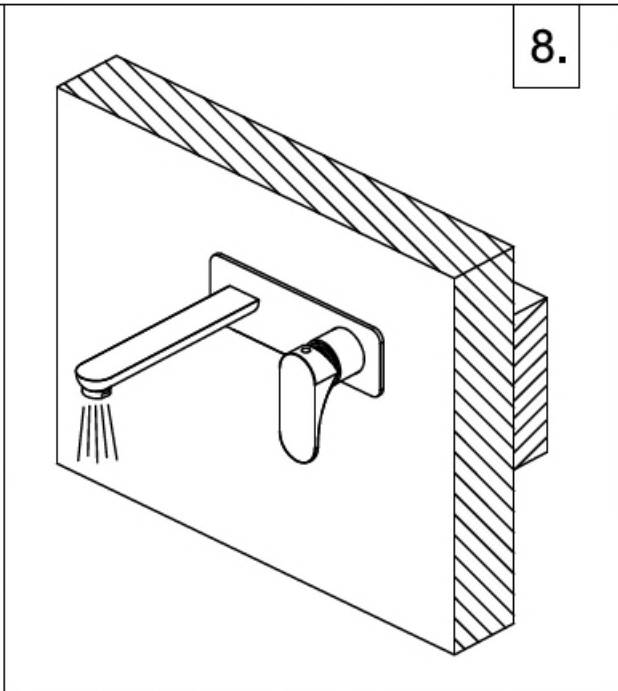


Single-handle concealed washbasin mixer

※ Installation Procedures

 <p>1.</p>	 <p>2.</p>
<p>1. Consider the thickness of the wall as dimension drawing before fasten the mounting plate. Using the concealed body(2) for positioning and make marks in the mounting plate.</p>	<p>2. Drill 3-Ø6 holes on the wall, the deepness of holes is about 35mm, knock the expanding plastic grains(1) into the three holes, and fix the concealed body(2) onto the mounting plate with the self-tape screws(3).</p>
 <p>3.</p> <p>WELDING PROHIBIT</p> <p>hot water ↑ cold water ↑</p>	<p>4.</p> <p>After fitment, the thickness of tile should be within adjustable range.</p> 
<p>3. After twisting sealing tape on the thread, connect the water supplying pipes and test the tightness of water supplying and faucet: While closing of cartridge: $\leq 1.6\text{Mpa}$(232psi) while opening of cartridge, do not block water outlet: $\leq 0.4\text{Mpa}$(58psi)</p>	<p>4. After tightness testing, put on all the plastic guards, make sure 60mm~90mm (2 3/8"~ 3 17/32") is the thickness of the tile, after fitment, the thickness of tile should be within the adjustable range.</p>

Single-handle concealed washbasin mixer

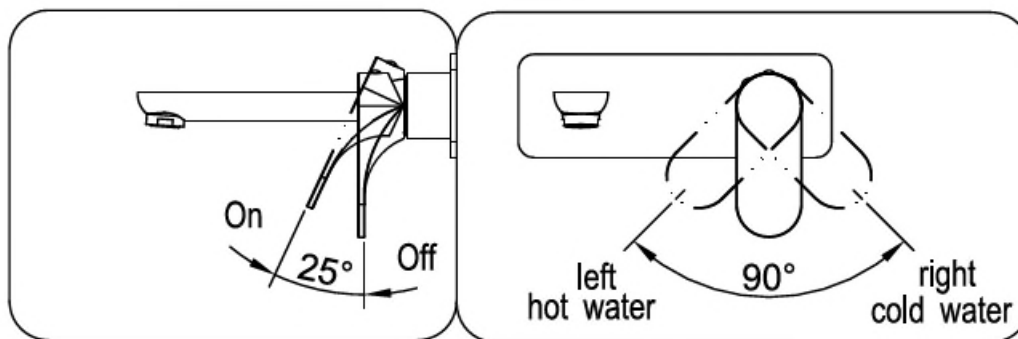
	
<p>5. After twisting sealing tape on the thread of the positioning pipe (8), fit the positioning pipe (8) and the connecting pipe (9) into the outlet of concealed body with allen wrenches.</p>	<p>6. Put the decorative plate (4) on, after adjusting the direction of the spout (10), fix the spout with screwing the screw of the spout with the allen wrench (13).</p>
	
<p>7. Fix the handle (6) with screwing the screw of the handle with the allen wrench (13), and put the decorative plug (5) on.</p>	<p>8. Finally test the tightness of all the joints to finish.</p>

Single-handle concealed washbasin mixer

✳ Operation

☆ How to operate the mixer handle

- 1) Raise the handle lever up for opening water, push down to stop.
- 2) Turn the handle lever to the left to increase hot water flow, to the right to lower water temperature.



✳ Cleaning and Maintenance

☆ To keep the product looking new, please follow the steps as below:

1. Simple rinse the product clean with clear water and dry the product with a soft cotton cloth.
2. Use mild liquid detergents, clear ammonia free liquid glass cleaners or non-abrasive liquid polishers to remove surface dirt and film.
3. Do not use any scrubbing detergent, abrasive liquid polishers, a cloth with coarse surface, tissue or scraper.
4. Do not use acid detergent, indissolvable grain-like detergent or soap.
5. Aerator may accumulate dirt causing distorted and reduced water flow. Unscrew aerator and rinse clean, and then screw onto spout.



✳ Important notices:

☆ In order to protect environment and reduce pollution, used product to be discarded should following local waste materials handling codes:

1. Used copper pieces, stainless steel material recycle could be recycled, which saving resources.
2. Used batteries and circuit board which contains hazardous substance to be handled by professional institution, DO NOT discarded, or it will cause accident or pollution.

✳ This installation manual is only for your reference. All rights reserved.