

Bathroom Exhaust... SOLVED!

If the strongest, quietest, bathroom exhaust system is what you seek...look no further. S&P offers the perfect solution with the most options. The popular and exclusive TD series bathroom exhaust kits (for single or dual venting points) or the ultra powerful PV series (also, in single or dual vents) for long or complicated duct runs. All S&P bath kits offer remotely mounted fans featuring a powerful fan mounted in the attic (away from the living space). The result is a "Turbo" powered fan (much stronger than generally associated with bathroom exhaust) and yet a peacefully quiet operation.



Inline Fans For Bathroom Exhaust



TD-MIXVENT SERIES

The TD series is the perfect bathroom ventilator for most typical installations. These units handle a significant amount of pressure (associated with most jobs) and unsurpassed air movement, with a minimum of space required. Suitable for 4" through 12" (kits available in 4", 5" and 6") round duct applications, from 103-1089 CFM (cubic feet of air per minute). Strong, quiet, easy to install (in even the tightest spaces) and years of trouble free operation.



PV-POWERVENT SERIES

The PV Series is the perfect solution for installations that require long or complicated duct runs. These sturdy units are available for 4" through 12" round duct installations: from 108-618 CFM. The centrifugal blade designs are able to overcome extreme resistance for even the most challenging installations. The PV offers the same totally enclosed motors as the popular TD series which ensure long, trouble free life. The PV series is the right choice for more difficult installations.

How to Size Your Bathroom Ventilation System

Bathroom Exhaust Advantages

We spend hours upon hours in our bathrooms; why not make them as comfortable as possible. No more loud noisy fans that instantly alert you the moment you hit the switch. S&P offers a range of inline fans to fit exactly what you need that offer several advantages over traditional bathroom fans. "Our remote mounted fans are powerful enough to vent multiple areas with one units (dv kits) for today's larger bathrooms. Multiple bathrooms with one unit is also possible. The Remote mounting feature, allows peace and quiet in the living space, thus reducing the sound level of a generally noisy fan. S&P remote fans also offer extended duty times, low maintenance, help reduce moisture, which in turn decreases, the likelihood of mold or mildew. They do not detract from the homes aesthetics, unlike some unsightly roof mounted units. S&P remote fans are the clear choice for the strongest, quietest installation.

The following recommendations follow the Home Ventilating Institute (HVI) guidelines.



FAN SIZING FOR BATHROOMS UNDER 100 Sq. Ft.

The standard rule for bathrooms 100 square feet or smaller is one CFM per square foot of the bathroom. To find the square footage multiply the length of the bathroom by the width.

10' x 10' bathroom = 100 square feet.

You will need a 100 CFM fan for this bathroom.

FANSIZING FOR BATHROOMS OVER 100 Sq. Ft.

Ventilation for baths over 100 square feet is calculated based on the fixtures in the bathroom. Allow 50 CFM for each standard toilet, shower, steam shower* or tub. Whirlpool, garden and hot tubs are calculated at 100 CFM each. Add up the CFMs for all fixtures and you'll have the total CFMs required for the bathroom.

Step 1 Calculate Bathroom Size: 20' x 10' Bathroom = 200 square feet

Step 2 1 Toilet + 1 Shower + 1 Tub = 150 CFM

Result **You will need a 150 CFM fan for this bathroom.**

For most effective bathroom ventilation, HVI recommends eight air changes per hour. Fans should be installed as near to the shower as possible and, if marked as suitable for this location, directly over it to capture the moisture as directly as possible. Your fan should have a control that will allow the fan to run at least 20 to 30 minutes after each shower.

An enclosed toilet should have its own exhaust fan. Fans should be located over the shower or tub. Bathroom doors need to have at least 3/4" clearance to the finished floor to allow entry of makeup air. Using a timer or other control ensures that ventilation continues for a minimum of 20 minutes after use of the bathroom.

For steam showers, we recommend a separate fan in the steam room that you can turn on after use. Bathrooms (continuous ventilation) Ventilation should be available on a continuous basis at a minimum of 20 CFM in lieu of an intermit-tent 50 CFM fan.



Warranty

Five (5) year limited warranty.

Range

The TD-MIXVENT consists of eight (8) nominal sized in-line fans. All models are specifically designed for direct connection in-line with industry standard diameter round ducting.

Construction

The TD-MIXVENT models 100, 100x, 125 and 150 are manufactured in tough reinforced plastic, models 200, 200x, 250 and 315 have a metal casing and are finished in a tough epoxy-polyester paint coating. The TD fan duct connection flanges are manufactured from reinforced plastic, except for models 200, 200x, 250 and 315 which are constructed from epoxy-polyester coated metal.

Impellers

The impeller blades for models 100, 100x, 125 and 150 are molded in tough ABS plastic. Models 200, 200x, 250 and 315 are metal.

Accessories

A wide range of accessories is available to complete the most demanding installation. See pages 7 & 10.

Motors

Models 100, 100x and 125 :

Single-phase, 120V 60Hz, shaded pole induction asynchronous motor constructed of die cast aluminum. All motors include direct two speed connection and are also suitable for voltage speed control.

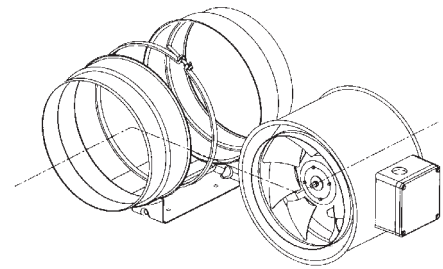
- Class II electrical insulation (model 100) & Class I (models 100x and 125)
- IP 44 Protection
- Class B Motor Insulation
- Safety auto reset Thermal Overload Protection (fuse type)
- Self-lubricating sleeve bearings.
- Suitable for working airstreams up to 104° F (40°C).

Models 150, 200, 200x, 250 and 315:

- Single-phase induction asynchronous motor, with permanent capacitor and external rotor in die cast aluminum. All models include direct two speed connection and are also suitable for voltage speed control
- Class I electrical insulation
- IP 44 Protection
- Class B Motor Insulation
- Suitable for working airstreams up to 140° F (60°C).
- Thermal Overload Protection
- Sealed For Life, ball bearings

TD MIXVENT

Technical Specifications

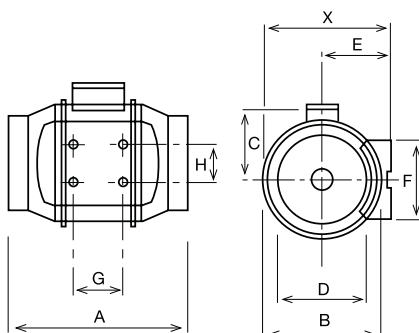


Sound

Fan sound levels are measured in sones. At this time there are no sound level test standards available through HVI or AMCA due to the fact that remote mounted fan noise levels are in proportion to the following: type of duct, length of duct, fan distance from the intake source and other miscellaneous factors. Until a test method is available, no sound data can be made available. However it is generally accepted that remote mounted venting is usually quieter than standard (in room) venting.

Dimensional Data

Dimensions (inches/mm)



Model	X	A	B	C	D	E	F	G	H
TD-100	5 15/16 151	9 1/8 232	5 7/16 138	3 3/4 96	3 7/8 98	3 1/4 82	3 3/4 95	1 7/8 48	5 3/16 131
TD-100x	7 3/8 188	11 15/16 303	6 15/16 176	4 1/8 115	3 13/16 97	3 15/16 100	3 9/16 90	3 1/8 80	2 1/8 60
TD-125	7 3/8 188	16 7/16 258	6 15/16 176	5 115	4 13/16 123	3 15/16 100	3 9/16 90	3 1/8 80	2 3/8 60
TD-150	8 3/8 212	18 1/4 295	7 7/8 200	5 9/16 141	5 13/16 147	4 3/8 112	5 1/8 130	3 1/8 80	2 1/4 60
TD-200	9 1/8 233	19 11/16 302	8 9/16 217	5 9/16 141	7 13/16 198	4 7/8 124	5 1/2 140	3 15/16 100	3 11/16 94
TD-200x	9 1/8 233	19 11/16 302	8 9/16 217	5 9/16 141	7 13/16 198	4 7/8 124	5 1/2 140	3 15/16 100	3 11/16 94
TD-250	11 7/16 291	25 3/4 386	10 11/16 272	7 9/16 192	9 3/4 248	6 1/8 155	6 5/8 168	5 11/16 145	5 1/2 140
TD-315	14 356	17 3/4 450	13 1/4 336	8 13/16 224	12 1/4 312	7 3/8 188	8 1/4 210	7 3/16 182	7 178

KIT Bathroom Exhaust Kits

Featuring TD-MIXVENT Kits



The TD-MIXVENT fan kits provide all the hardware needed to complete a simple in-line ducted ventilation installation. The kit includes a powerful TD in-line fan, exterior and interior TD grills, tough flexible aluminium ducting and a roll of duct tape.

The TD-MIXVENT fan kit is the ideal solution for any simple in-line ducted fan installation.

IMPORTANT: If venting in a non-insulated attic space, or in an extremely cold climate, insulated flexible duct is strongly recommended for condensation issues.

Standard Exhaust Kits

KIT-TD100

- 1 TD100 Exhaust Fan
- 1 Plastic round air valve (BOR-100)
- 1 Exterior fixed grill (GR-100)
- 4 in. Flexible ducting (GSA) 16 ft.
- 1 Roll adhesive tape (BA)
- Integral Mounting Bracket

KIT-TD100x

- 1 TD100x Exhaust Fan
- 1 Plastic round air valve (BOR-100)
- 1 Exterior fixed grill (GR-100)
- 4 in. Flexible ducting (GSA) 16 ft.
- 1 Roll adhesive tape (BA)
- Integral Mounting Bracket

KIT-TD150

- 1 TD150 Exhaust Fan
- 1 Plastic round air valve (BOR-150)
- 6 in. Flexible ducting (GSA) 16 ft.
- 1 Roll adhesive tape (BA)
- Integral Mounting Bracket

TD Deluxe Exhaust Kits



KIT-TD150-DV

- 1 TD150 Exhaust Fan
- 2 Plastic round air valves (BOR-150)
- 1 Y-fitting (SY-6)
- 7 Nylon tie wraps (TW-6)
- Integral Mounting Bracket

S&P Bathroom Fans

Call 1-800-667-8721 anywhere in the US and Canada

TD-MIXVENT SERIES Technical Data



Air Performance

Model	Nom. RPM	Volts	Max. Watts	Speed	CFM v Static Pressure (SP) Ins. WG								Max. SP	Duct Dia. Ins.
					0"	0.125"	0.25"	0.375"	0.5"	0.75"	1.0"	1.25"		
TD 100	2424	120	23	LS	103	88	61	-	-	-	-	-	.4	4"
	2543	120	26	HS	107	93	69	-	-	-	-	-	.4	4"
TD 100x	1578	120	44	LS	110	87	58	-	-	-	-	-	.375	4"
	2047	120	60	HS	140	120	99	-	-	-	-	-	.55	4"
TD 125	1651	120	44	LS	146	115	73	-	-	-	-	-	.35	5"
	2125	120	59	HS	192	159	128	86	33	-	-	-	.55	5"
TD 150	1924	120	54	LS	239	211	186	160	135	58	-	-	.8	6"
	2444	120	65	HS	312	292	271	249	224	154	60	-	1.15	6"
TD 200	2322	120	139	LS	399	377	356	338	322	288	247	163	1.38	8"
	2781	120	184	HS	479	460	442	425	408	374	341	300	1.625	8"
TD 200x	1935	120	122	LS	392	380	369	352	338	301	211	79	1.4	8"
	2467	120	169	HS	508	496	483	469	454	427	390	332	1.75	8"
TD 250	1870	120	168	LS	543	488	440	389	333	250	208	164	1.85	10"
	2601	120	255	HS	765	729	689	655	621	500	344	275	2.35	10"
TD 315	1875	120	226	LS	793	678	579	464	345	224	167	127	1.5	12.4"
	2563	120	347	HS	1089	1014	939	865	780	616	460	341	2.5	12.4"

LS= Low Speed / HS = High Speed

