



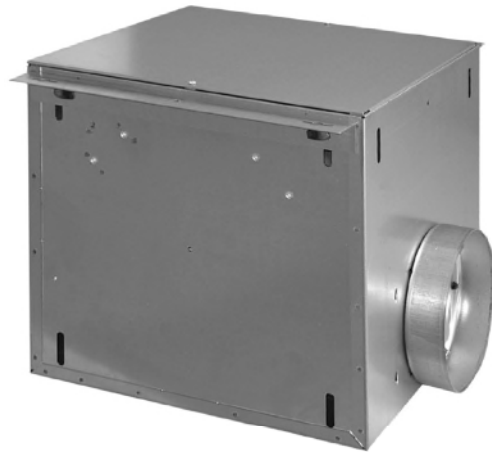
ADVANCING
VENTILATION®

JencoFan

Breidert
Air Products

Losone Select Series

Inline/Cabinet Ventilators



Installation, Operation and Maintenance Manual

Models: L900L & L1500L

READ AND SAVE THESE INSTRUCTIONS

The purpose of this manual is to aid in the proper installation and operation of fans manufactured by S&P USA. These instructions are intended to supplement good general practices and are not intended to cover detailed instruction procedures, because of the wide variety and types of fans manufactured by S&P USA.

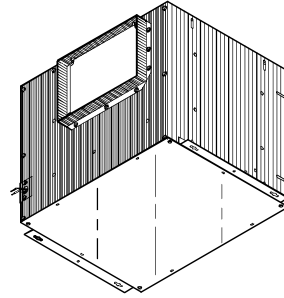


JencoFan



Losone Select Inline Mount Ventilation
Models: L900L & L1500L

IN-LINE VENTILATORS • 120V



READ AND SAVE THESE INSTRUCTIONS

WARNING

TO REDUCE THE RISK OF FIRE, ELECTRIC SHOCK, OR INJURY TO PERSONS, OBSERVE THE FOLLOWING:

1. Use this unit only in the manner intended by the manufacturer. If you have questions, contact the manufacturer at the address or telephone number listed in the warranty.
2. Before servicing or cleaning unit, switch power off at service panel and lock the service disconnecting means to prevent power from being switched on accidentally. When the service disconnecting means cannot be locked, securely fasten a prominent warning device, such as a tag, to the service panel.
3. Installation work and electrical wiring must be done by a qualified person(s) in accordance with all applicable codes and standards, including fire-rated construction codes and standards.
4. Sufficient air is needed for proper combustion and exhausting of gases through the flue (chimney) of fuel burning equipment to prevent backdrafting. Follow the heating equipment manufacturer's guideline and safety standards such as those published by the National Fire Protection Association (NFPA), and the American Society for Heating, Refrigeration and Air Conditioning Engineers (ASHRAE), and the local code authorities.
5. When cutting or drilling into wall or ceiling, do not damage electrical wiring and other hidden utilities.
6. Ducted fans must always be vented to the outdoors.
7. To reduce the risk of fire, use only metal ductwork.
8. If this unit is to be installed over a tub or shower, it must be marked as appropriate for the application and be connected to a GFCI (Ground Fault Interrupter) - protected branch circuit.
9. Never place a switch where it can be reached from a tub or shower.
10. This unit must be grounded.

CAUTION

1. For general ventilating use only. Do not use to exhaust hazardous or explosive materials and vapors.
2. To avoid motor bearing damage and noisy and/or unbalanced impellers, keep drywall spray, construction dust, etc. off power unit.
3. If ventilator is installed in an unconditioned space (such as an attic): Surround the ventilator with thermal insulation - to minimize possible condensation.
4. Please read specification label on product for further information and requirements.

TABLE OF CONTENTS

This manual is divided into sections as follows:

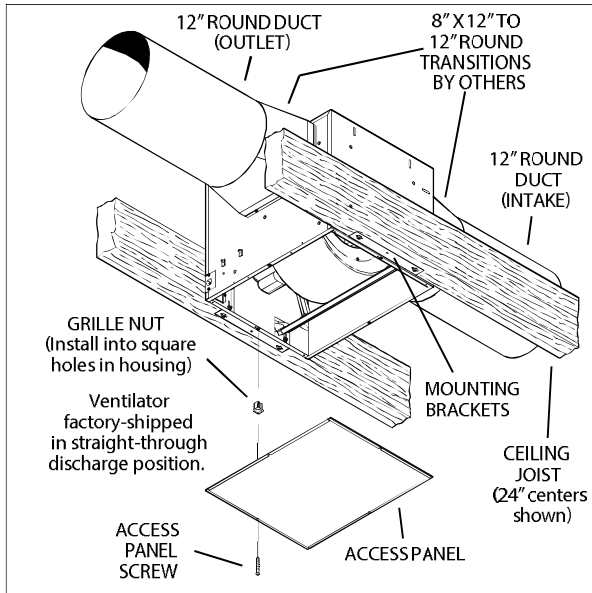
- "TYPICAL INSTALLATION" This section shows a common installation in new and existing, frame construction.
 - Mounting (new construction)
 - Mounting (existing construction)
 - Wiring
 - Ducting (straight-through blower discharge))
- "MOUNTING OPTIONS"
- "WIRING OPTIONS"
 - Wiring Plate Position
- "DUCTING OPTIONS"
 - Blower Discharge Positions
 - Ducting (right-angle blower discharge)
- "USE AND CARE"
- "SERVICE PARTS"
- "WARRANTY"

Installer: Leave this manual with the homeowner.

Homeowner: Use and Care information on page 3.

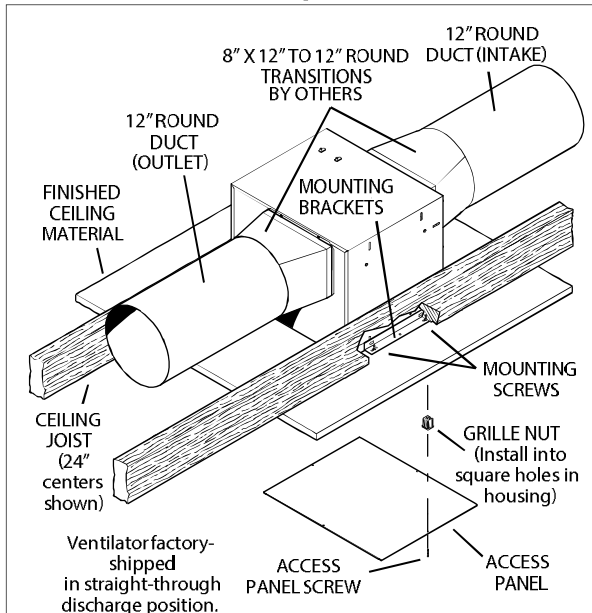
TYPICAL INSTALLATION

MOUNTING (New Frame Construction)



Factory-shipped unit installed in new construction.

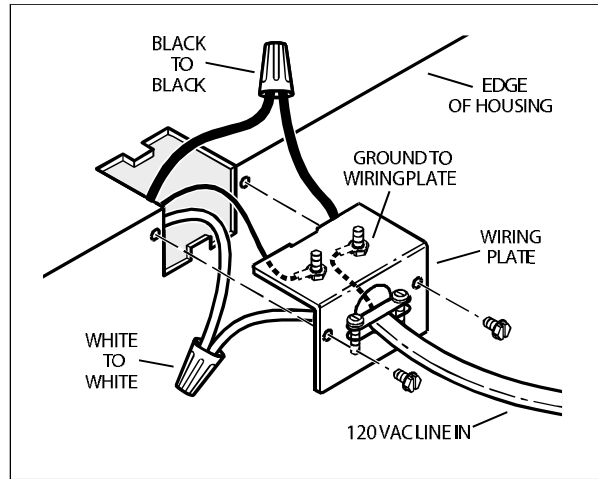
MOUNTING (Existing Frame Construction)



Factory-shipped unit installed in new construction.

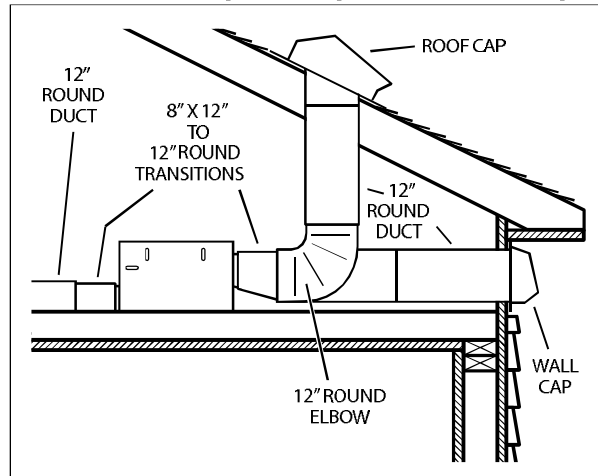
TYPICAL INSTALLATION

WIRING



Ventilator can be wired from outside of housing.
Use UL approved connectors to wire per local codes.

DUCTING (Straight-through blower discharge)



Two ways to connect ductwork to a factory-shipped unit.

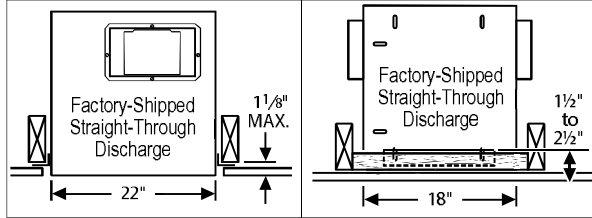
IMPORTANT:

Remove shipping tape from damper

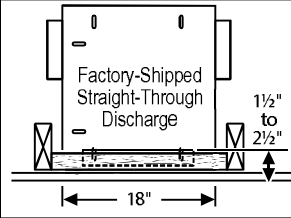
Remove the shipping tape from the damper flap and make sure that damper flap opens and closes freely inside the ductwork. Use duct tape to make ductwork connections secure and air-tight.

MOUNTING OPTIONS

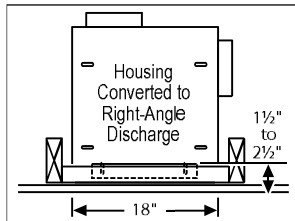
1/4-20 hex nuts secure mounting brackets to housing. Loosen and re-tighten or remove and replace nuts as necessary for desired mounting bracket position.



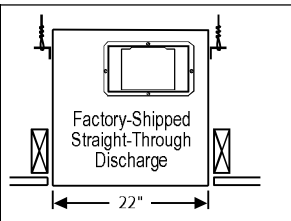
Factory-Shipped Straight-Through Discharge
Mounting brackets in factory-shipped position - mounted directly to joists. (Outlet parallel to joists.) (New construction)



Factory-Shipped Straight-Through Discharge
Mounting brackets flipped over and mounted to additional framing. (Outlet perpendicular to joists.) (Existing construction)



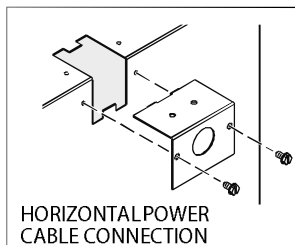
Housing Converted to Right-Angle Discharge
Mounting brackets flipped over and mounted to additional framing. (Outlet vertical.) (New or existing construction)



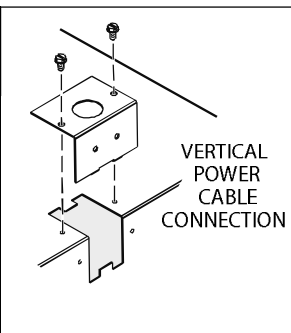
Factory-Shipped Straight-Through Discharge
Mounting brackets flipped over and mounted to top of housing. Housing secured with cables. (Outlet parallel to joists.) (New or existing construction)

WIRING OPTIONS

WIRING PLATE POSITION



HORIZONTAL POWER CABLE CONNECTION

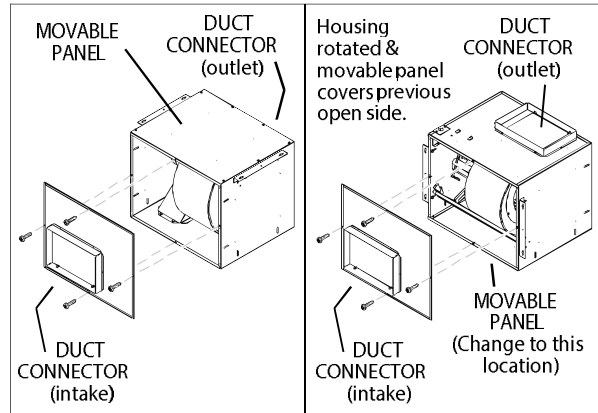


VERTICAL POWER CABLE CONNECTION

Wiring plate mounts to side or top of housing.

DUCTING OPTIONS

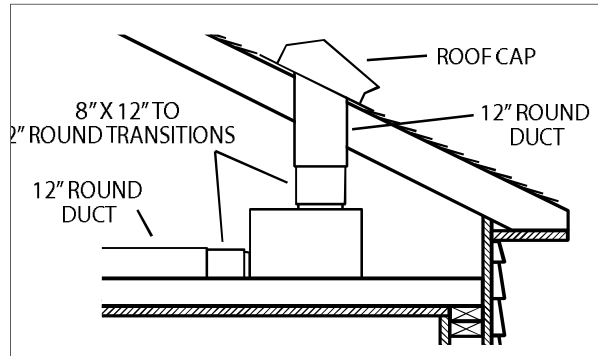
BLOWER DISCHARGE POSITIONS



Ventilator shown in straight-through discharge position. (Factory shipped)

Ventilator shown in right-angle discharge position. (Change movable panel to new location as shown.)

DUCTING (Vertical blower discharge)



Typical ductwork connection to a ventilator converted to right-angle discharge.

USE AND CARE

Ventilator is designed for continuous operation. If desired, it may be controlled using an on/off switch or a solid-state, variable speed control. Follow wiring instructions packed with control, and adhere to all local and state codes, and the National Electrical Code.

⚡ WARNING: To reduce the risk of electric shock, disconnect from power supply before servicing.

To clean blower assembly: Remove grille, unplug blower from housing, remove blower mounting nuts, and carefully remove blower from housing. Use appropriate vacuum attachment or a soft cloth and mild soap or detergent to clean blower discharge area and wheel. **DO NOT ALLOW WATER TO ENTER MOTOR.** Make sure blower assembly is completely dry before reinstalling.

Motor is permanently lubricated. Do not oil or disassemble motor.



Jencofan

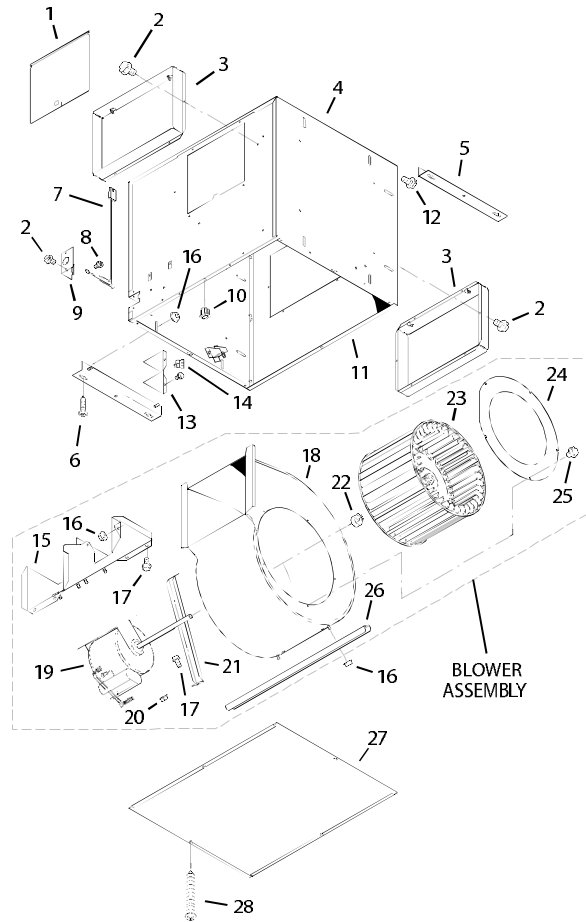
Breidert
Air Products

Losone Select Inline Mount Ventilation Models: L900L & L1500L

SERVICE PARTS

KEY NO.	PART NO.	DESCRIPTION
1	97014853	Damper Flap
2	99150415	Screw, #8B x 1/4* (16 req.)
3	98009520	Duct Connector (2 req.)
4	97014784	Housing Assembly
5	97014728	Mounting Bracket (2 req.)
6	99150591	Mounting Screw, #10 12 x .625 (4 req.)
7	97006142	Wiring Harness
8	99150471	Ground Screw, #10-32 x 1/2* (2 req.)
9	98005512	Wiring Adapter Plate
10	99420470	Access Panel Nut (4 req.)
11	98009531	Movable Housing Panel
12	93150487	Screw, #10-24 x .375* (8 req.)
13	98005513	Outlet Box Cover
14	99400035	Strain Relief Bushing
15	97014788	Motor Bracket
16	99260477	Whiz Nut, 1/4-20* (11 req.)
17	99200202	Screw, 1/4-20 x 1/2* (5 req.)
18	97014785	Blower Scroll
19	99080490	Motor (L900L)
19	99080491	Motor (L1500L)
20	93260447	Nut, Hex Flange 5/16-18* (5 req.)
21	98009516	Support Bracket
22	99680019	Wheel Clamp
23	99020274	Blower Wheel (Includes Key No. 22)
24	98009514	Inlet Ring
25	99150417	Screw, #8-18 x 1/4* (5 req.)
26	98009513	Scroll Support Channel
+	97014848	Blower Assembly Complete (L900L) (Includes Key Nos. 15 thru 26)
+	97014849	Blower Assembly Complete (L1500L) (Includes Key Nos. 15 thru 26)
27	98009532	Access Cover
28	99150472	Access Cover Screw (4 req.)

SERVICE PARTS



Order replacement parts by PART NO. - not by KEY NO.

* Standard hardware - may be purchased locally.

+ Not shown assembled.

WARRANTY

ONE YEAR LIMITED WARRANTY

Soler & Palau Breidert Air Products Jencofan, warrants all products to be free from defects in material or workmanship for a period of one year from date of shipment. If it appears within one year from date of shipment by the Company to the original purchaser that any such ventilator or the material used therein does not meet the warranties specified above and the purchaser notifies the Company promptly, the Company agrees to remedy any such defect, at the company's option.

This warranty shall not apply to any equipment which has been repaired or altered in any way so as, in the company's judgement, to affect its performance or reliability, nor which has been improperly installed or subjected to misuse, negligence, or accident. Neither shall this warranty apply to labor to remove or install defective parts, profits lost due to failure of the ventilator or electric motors or belts. Electric motors, however, carry the warranty of the motor manufacturer.

This warranty is expressly in lieu of all other warranties expressed or implied, and of all other obligations or liabilities on the company's part. The company neither assumes, nor authorizes any representative or other persons to assume for it, any other liability in connection with the sale of its equipment.