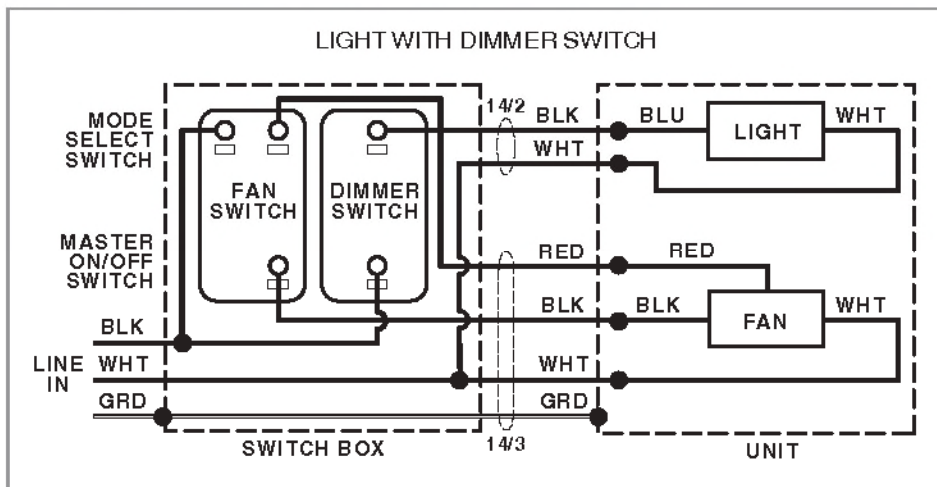
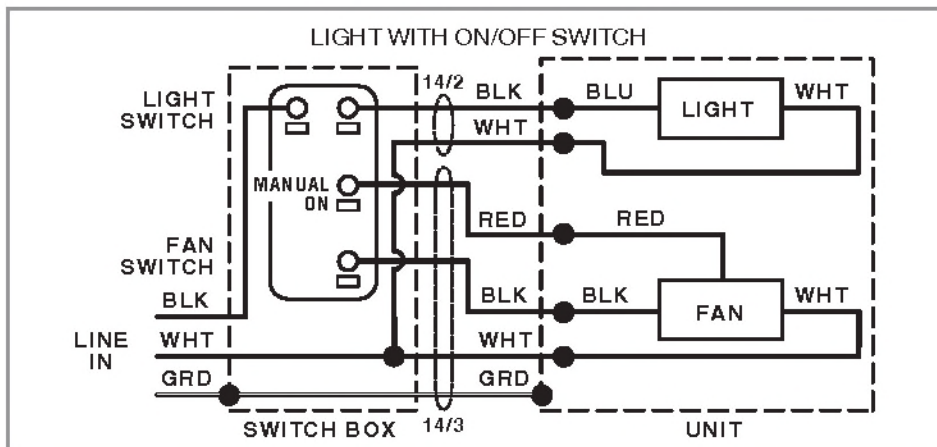
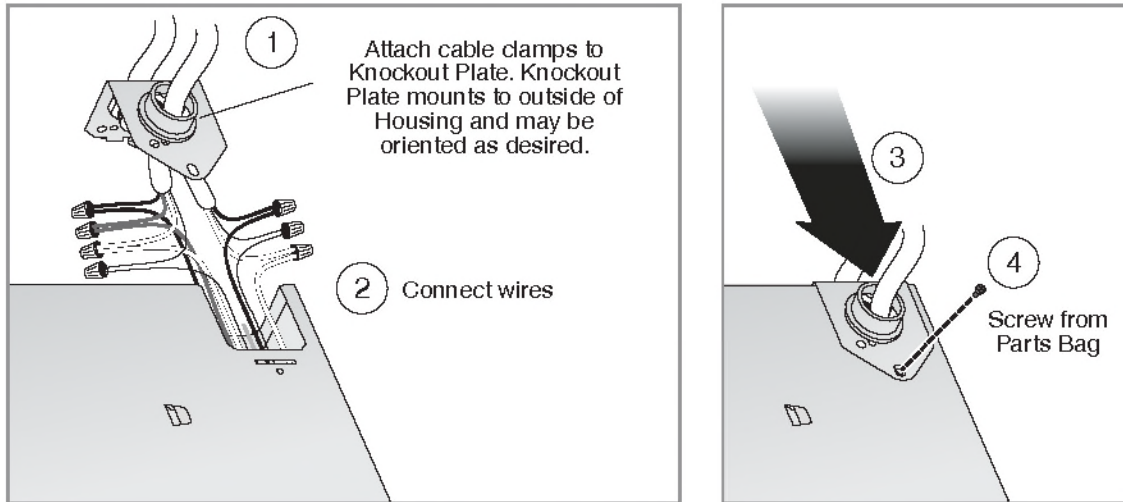


New Construction Installation

5 Connect Wires and Install Knockout Plate

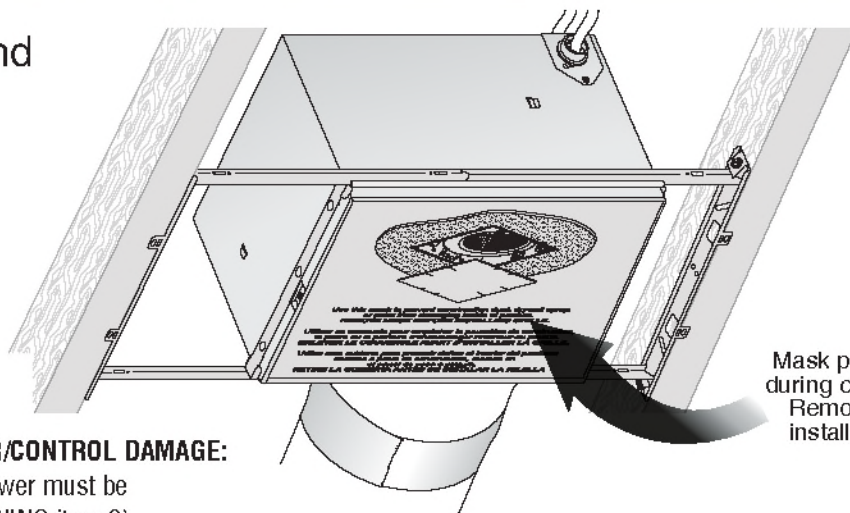
- Run 120VAC electrical wiring to the installation location.
- Use proper UL-approved connectors to secure wiring to the Knockout Plate provided in Parts Bag.
- Connect wires as shown in wiring diagram.



New Construction Installation

6 Insert Mask and Finish Ceiling

- Install ceiling material.
- Cut out around Housing.



Mask protects unit during construction. Remove before installing Grille.

CAUTION

IN ORDER TO PREVENT MOTOR/CONTROL DAMAGE:

If the blower was unplugged, power must be disconnected (see page 2, WARNING item 2) before inserting motor plugs into control assembly.

7 Install Grille

