

New Construction Installation

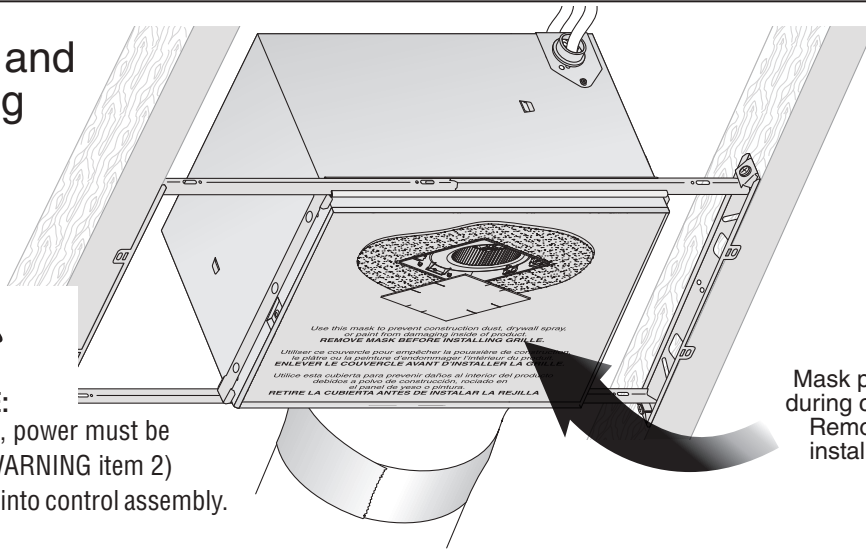
6 Insert Mask and Finish Ceiling

- Install ceiling material.
- Cut out around Housing.

CAUTION

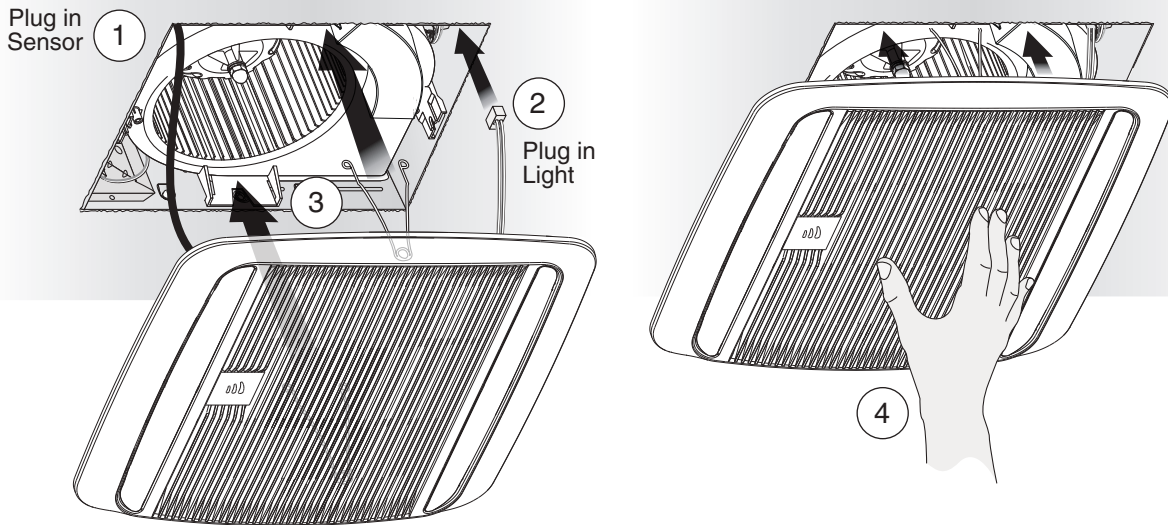
IN ORDER TO PREVENT MOTOR/CONTROL DAMAGE:

If the blower was unplugged, power must be disconnected (see page 2, WARNING item 2) before inserting motor plugs into control assembly.



Mask protects unit during construction. Remove before installing Grille.

7 Install Grille



Retrofit Installation

Tools needed

- Power screwdriver with a Phillips bit
- Phillips screwdriver
- Flathead screwdriver
- Pliers
- Wire insulation stripper
- Wire cutter
- Ruler
- Pencil
- Drywall saw
- Claw hammer or pry bar
- Utility knife

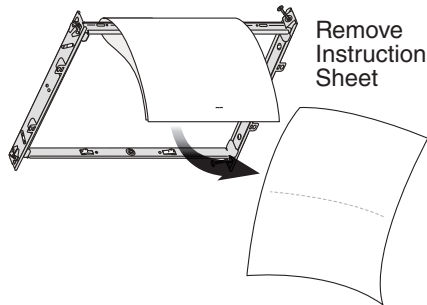
Materials needed

- Tape to seal duct connections
- Existing rigid duct will require the addition of a short length of flexible duct
- Electrical wiring and supplies per local code requirements

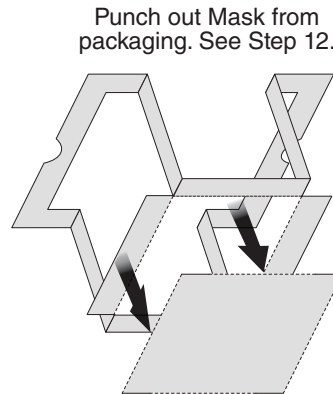
1 Remove Packaging



Parts Bag holds Knockout Plate and six (6) screws



Remove Instruction Sheet



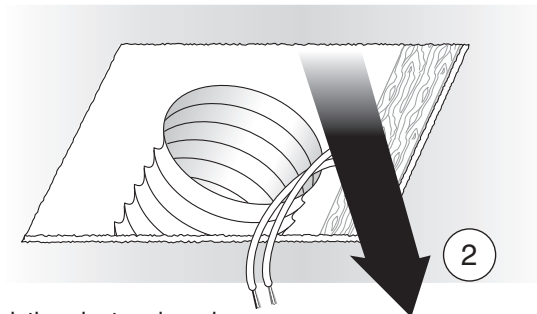
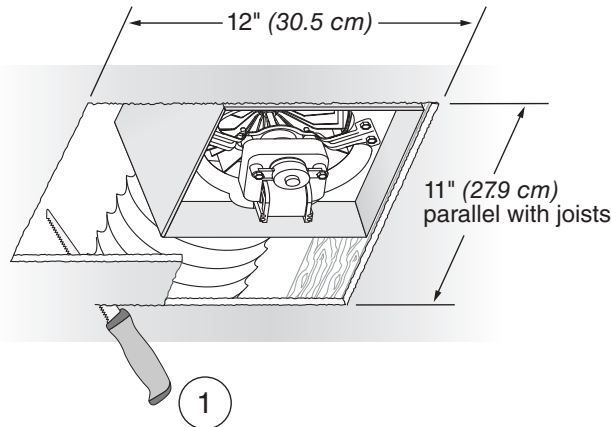
Punch out Mask from packaging. See Step 12.

2 Switch Off Power

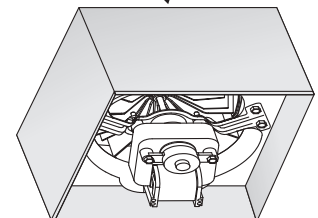
WARNING ⚡

Before removing existing fan, switch power off at service panel and lock the service disconnecting means to prevent power from being switched on accidentally. When the service disconnecting means cannot be locked, securely fasten a prominent warning device, such as a tag, to the service panel.

3 Enlarge Ceiling Opening and Remove Existing Fan



Existing ductwork and wiring left in place



4 Examine Wiring

Examine the existing wiring to make sure it is not damaged. If any damage is found, **DO NOT CONTINUE INSTALLATION** of this product. Contact a qualified person(s) for repair.