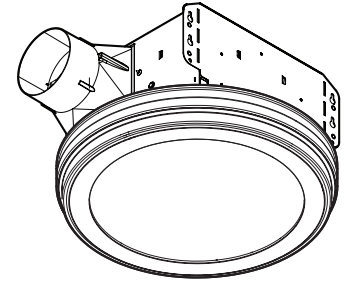




SPECIFICATION SHEET

MODEL AER80LWH ROOMSIDE SERIES DECORATIVE FAN / LIGHT



DESCRIPTION

BLOWER:

- Plug-in, permanently lubricated motor - engineered for continuous operation
- Dynamically balanced centrifugal blower wheel for quiet, efficient performance
- Low RPM for quiet operation

HOUSING:

- Rugged, 26 gauge, galvanized steel construction
- Polymeric, 4" duct connector with tapered sleeve and no metallic clatter
- 5-3/4" height allows for 2" x 6" ceiling installations
- Sturdy, easy, four-point mounting directly to joist

LIGHT FIXTURE:

- Low-profile consumer-validated design
- White corrosion-resistant trim
- Adapter bracket for constant air flow completely covers drywall cuts
- Acrylic lens
- Light fixture is plug-in and removable
- Dimmable, 16-Watt integrated LED lighting for energy efficiency
- 3500 K color temperature provides soft white light - ideal for bathroom illumination
- LED lasts up to 15,000 hours for maintenance-free convenience

CONTROLS (Purchase separately):

- Refer to Broan's catalog for a complete line of accessories to effectively adapt these fans to your construction requirements.

DIMMING CONTROLS :

- May not be compatible with all dimmer controls
- Each application is unique and various factors such as load, common neutrals or other electrical products on the circuit can, in certain instances, cause variance in system performance.

- Dimmer model numbers vary slightly depending on color, packaging type, etc. such that variations of Model numbers may be suitable. Consult dimming system manufacturer for additional support in operation

For installation in flat ceilings only.

cULus Listed for use in insulated ceilings (TYPE I.C.)

3-Year Warranty

TYPICAL SPECIFICATION

Fan / Light shall be Broan Model AER80LWH.

Fan / Light shall have corrosion resistant galvanized steel housing with four-point mounting capability. It shall be ducted to a roof or wall cap using 4" round ductwork.

Blower assembly shall be removable, have a centrifugal-type blower wheel and a permanently lubricated motor designed for continuous operation.

Non-metallic damper/duct connector shall be included.

Light fixture assembly shall be plug-in, removable and include an acrylic lens. It will have a corrosion-resistant base.

LED shall be 16-Watt with 3500 K color temperature and 1100 lumen output (min.).

Air delivery shall be no less than the airflow values and no greater than the sound level values listed in the HVI Performance Specifications provided in this specification (see following chart on next page). All air and sound ratings shall be certified by HVI.

Ceiling Ventilator shall be cULus Listed for use in insulated ceilings (Type I.C.).



JA8-2016

REFERENCE	QTY.	REMARKS	Project
			Location
			Architect
			Engineer
			Contractor
			Submitted by Date

PERFORMANCE RATINGS

MODEL AER80LWH ROOMSIDE SERIES

DECORATIVE FAN / LIGHT

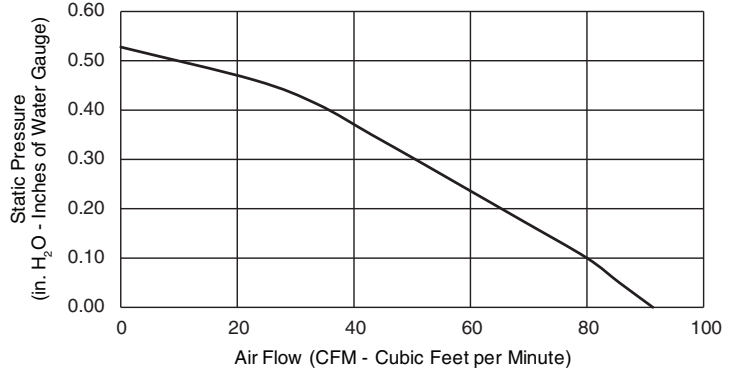
HVI PERFORMANCE

Static Pressure	CFM	Sones	Fan Watts	Duct
0.1	80	0.8	23.2	4" Round
0.25	58			



HVI-2100 CERTIFIED RATINGS comply with new testing technologies and procedures prescribed by the Home Ventilating Institute, for off-the-shelf products, as they are available to consumers. Product performance is rated at 0.1 in. static pressure, based on tests conducted in a state-of-the-art test laboratory. Sones are a measure of humanly-perceived loudness, based on laboratory measurements.

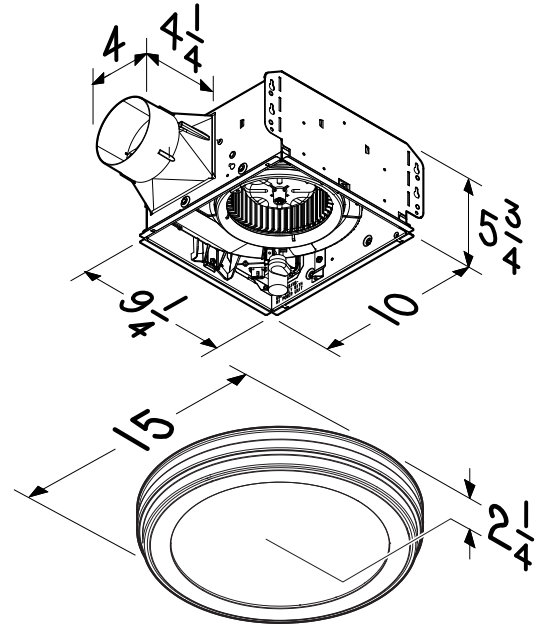
AIR FLOW PERFORMANCE



ELECTRICAL & WEIGHT

Volts	Hz	Amps*	Shipping Weight
120	60	0.5	16.5 lb.

* Total connected load.



Dimensions shown are in inches.