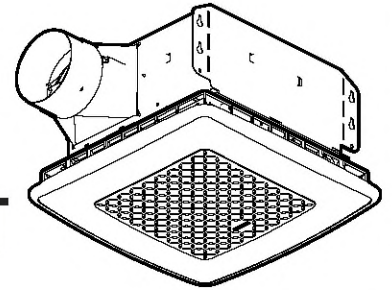




SPECIFICATION SHEET

MODEL AER110RGBL
ChromaComfort™
VENTILATION FAN WITH LED LIGHT



DESCRIPTION

BLOWER:

- 110 CFM at 1.5 sones
- Plug-in permanently lubricated motor
- Dynamically balanced centrifugal blower wheel for quiet, efficient performance

HOUSING:

- Rugged, 25-gage galvanized steel construction
- Fits in 2" x 6" construction
- Pre-located mounting holes for quick, accurate installation
- Tapered, polymeric duct fitting with built-in backdraft damper for easy, positive duct connection and no metallic clatter

LIGHTING:

- Integrated white & multi-color LED array
- Every-day white lighting mode
- 24 selectable vibrant colors for continuous single-color illumination
- Multi-colored lighting sweep mode

WALL CONTROL:

- Includes wireless, battery-powered wall control (2X AAA batteries not included)
- Controls lighting mode, lighting color, light dimming, and fan operation
- Not compatible with any other switches, dimmers, or controllers; use only the supplied wall control
- Fits standard decorative style wall plates (included)
- Can be mounted in any dry location; does not need to mount in electrical box

SMARTPHONE CONTROL:

- Bluetooth® communication enabled
- Control via the available smartphone app (iOS or Android)

- Choose and save custom colors for single-color illumination
- Choose from pre-set color sweep scenes or create and save personalized scenes
- Set auto-off timers for both fan and light
- Monitor energy usage

NOTES:

Acceptable for use over a tub or shower when connected to a GFCI (Ground Fault Circuit Interrupter) – protected branch circuit.

For installation in flat ceilings only.

U.L. Listed for use in insulated ceilings (Type I.C.).

Use supply wiring rated for at least 90°C.

Safety tested for use in USA and Canada (UL File No. E17814).

Meets all applicable FCC and Canadian IC requirements.

For dimensional information, see page 2.

For more functions and custom options:

Download the ChromaComfort™ app from the Apple App Store or on Google Play.



Apple, and the Apple logo are trademarks of Apple Inc., registered in the U.S. and other countries and regions. App Store is a service mark of Apple Inc.



Google Play and the Google Play logo are trademarks of Google LLC.



REFERENCE	QTY.	REMARKS	Project
			Location
			Architect
			Engineer
			Contractor
			Submitted by Date

PERFORMANCE RATINGS

MODEL AER110RGBL

ChromaComfort™ VENTILATION FAN WITH LED LIGHT

HVI PERFORMANCE

Model	0.1 Ps - Static Pressure (in H2O)				0.25 Ps
	Airflow (CFM)	Sound (Sones)	Power (Watts)	Efficacy (CFM / W)	Airflow (CFM)
AER110RGBL	110	1.5	28	3.9	94



HVI-2100 CERTIFIED RATINGS comply with new testing technologies and procedures prescribed by the Home Ventilating Institute, for off-the-shelf products, as they are available to consumers. Product performance is rated at 0.1 in. static pressure, based on tests conducted in a state-of-the-art test laboratory. Sones are a measure of humanly-perceived loudness, based on laboratory measurements.

ELECTRICAL & WEIGHT

Model	Volts	Hz	Amps*	Shipping Weight
AER110RGBL	120	60	0.4	11.1 lbs.

* Total connected load.



LIGHTING (white light mode)

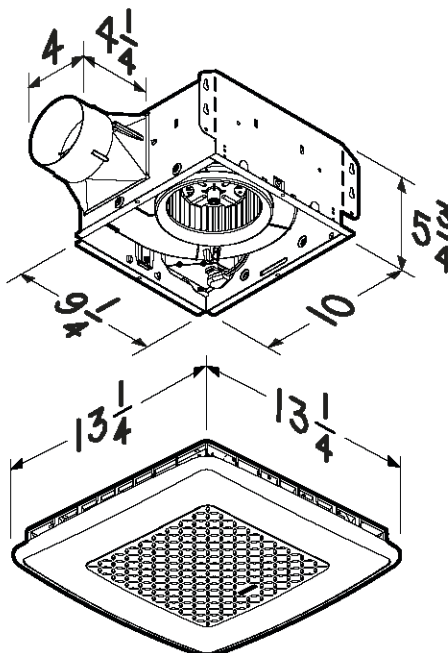
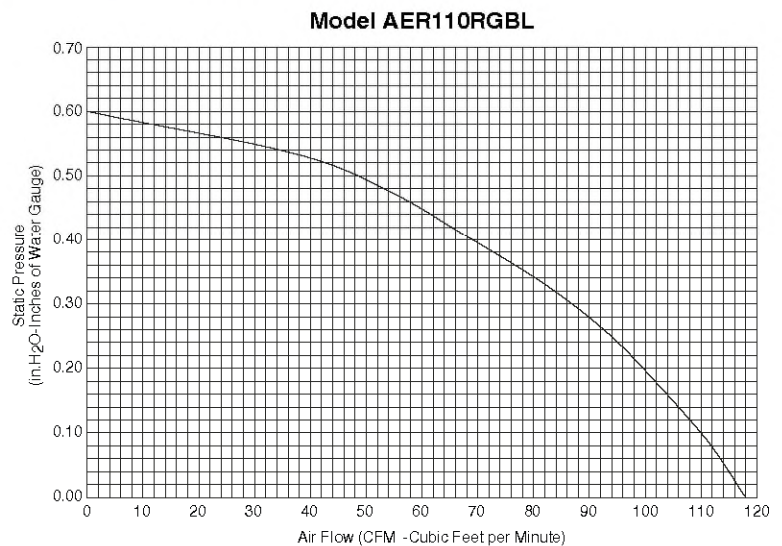
Lighting Output (Lumens)	Power (Watts)	Lumens per Watt (Efficacy)
900+	14	94

Color Accuracy (CRI)	Lighting Color (CCT)
93	3500K (Bright White)

LIGHTING (multi-color modes)

Lighting Output (Lumens)	Power (Watts)	Lumens per Watt (Efficacy)
up to 130	up to 4.4	up to 42.3

AIR FLOW PERFORMANCE



The Bluetooth® word mark and logos are registered trademarks owned by Bluetooth® SIG, Inc. and any use of such marks by Broan-NuTone LLC is under license. Other trademark and trade names are those of their respective owners.

NOTE: This equipment has been tested and found to comply with the limits for a Class B digital device, pursuant to Part 15 of the FCC Rules. These limits are designed to provide reasonable protection against harmful interference in a residential installation. This equipment generates, uses and can radiate radio frequency energy and, if not installed and used in accordance with the instructions, may cause harmful interference to radio communications. However, there is no guarantee that interference will not occur in a particular installation. If this equipment does cause harmful interference to radio or television reception, which can be determined by turning the equipment off and on, the user is encouraged to try to correct the interference by one or more of the following measures:

- Reorient or relocate the receiving antenna.
- Increase the separation between the equipment and receiver.
- Connect the equipment into an outlet on a circuit different from that to which the receiver is connected.
- Consult the dealer or an experienced radio/TV technician for help.

This device complies with Part 15 of the FCC Rules and RSS-210 of Canada. Operation is subject to the following two conditions:

(1) This device may not cause interference, and (2) this device must accept any interference received, including interference that may cause undesired operation. FCC IDs: 2ADLL-RGB001 & 2ADLL-RGB002 IC IDs: 2143B-RGB001 & 2143B-RGB002

This Bluetooth® wireless technology enabled luminaire complies with FCC radiation exposure limits set forth for an uncontrolled environment. End users must follow the specific operating instructions for satisfying exposure compliance. This luminaire must not be co-located or operate in conjunction with any other antenna or transmitter.

Changes or modifications not expressly approved by the party responsible for compliance could void the user's authority to operate the equipment.

