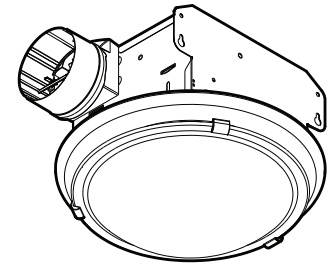




SPECIFICATION SHEET

MODEL 770RLTK DECORATIVE FAN / LIGHT



DESCRIPTION

LIGHT FIXTURE:

- White finish with alabaster glass dome
- Consumer-validated design
- Includes two easy-to-change trim kits - Brushed Bronze and Brushed Nickel
- Close mount design
- Uses one 60 Watt maximum, A19 type, E26 bulb or energy-efficient equivalent. Bulb not included.
- Adapter bracket for constant airflow completely covers drywall cuts
- Light fixture assembly is plug-in and removable

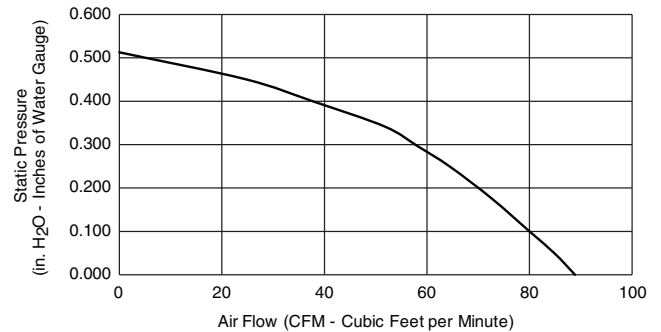
BLOWER:

- Plug-in permanently lubricated motor
- Polymeric blower wheel

HOUSING:

- Rugged, 26-gage galvanized steel construction
- 5-3/4" height allows for 2" x 6" ceiling installations
- Sturdy key-holed mounting brackets for quick, accurate installation
- Tapered, polymeric duct fitting with built-in backdraft damper for easy, positive duct connection and no metallic clatter

NOTE: For installation in flat ceilings only.
DO NOT install in a bathtub or shower enclosure.
UL Listed for use in insulated ceilings (Type I.C.)
Use supply wiring rated for at least 90° C

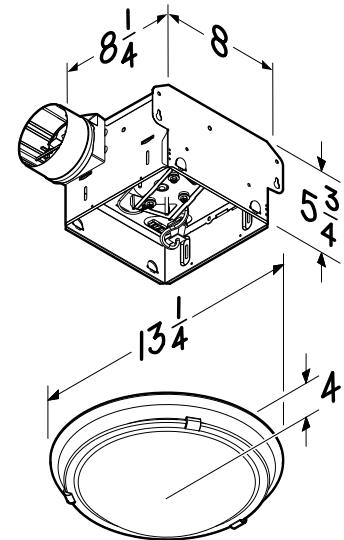


SPECIFICATIONS

| Volts | Amps | Static Pressure | CFM | Sones | Fan Watts | Duct |
|-------|------|-----------------|-----|-------|-----------|----------|
| 120 | 1.5 | 0.1 | 80 | 2.5 | 55.4 | 4" Round |
| | | 0.25 | 64 | | | |



HVI-2100 CERTIFIED RATINGS comply with new testing technologies and procedures prescribed by the Home Ventilating Institute, for off-the-shelf products, as they are available to consumers. Product performance is rated at 0.1 in. static pressure, based on tests conducted in a state-of-the-art test laboratory. Sones are a measure of humanly-perceived loudness, based on laboratory measurements.



| REFERENCE | QTY. | REMARKS | Project |
|-----------|------|---------|--|
| | | | Location |
| | | | Architect |
| | | | Engineer |
| | | | Contractor |
| | | | Submitted by Date |