



Please do not return this product to the retailer!!!

If you find that you have any trouble with assembly or missing or damaged parts please contact us at:





INTERNATIONAL

PLEASE REVIEW THIS WARRANTY POLICY IN ITS ENTIRETY!

LIMITED MANUFACTURERS WARRANTY

If this product was purchased outside of the United States or Canada, please refer to for information about an
Authorized Crosley Brands Distributor in your area. The terms and conditions contained herein are only applicable to customers that
currently reside in the United States and Canada.

CONSUMER ELECTRONICS WARRANTY POLICY

Every Crosley Brands product is designed to meet and exceed your expectations, and we are dedicated to providing excellent quality. However, sometimes electronic products may have technical difficulties. Before establishing that your product is defective, please consult our online troubleshooting tips as well as your user manual for proper usage. If you have any questions outside the scope of the troubleshooting tips and manual instructions, please contact our Consumer Support Team for assistance.

If our Consumer Support Team determines that a defect exists, Crosley Brands, at its sole discretion, will do one of the following:

- Request that the item be returned to the retailer from where it was purchased ONLY IF the malfunction occurs within said retailer's standard return period
- Repair the product at no charge using new (or refurbished) parts at our discretion
- Replace the product with the exact same model or functional equivalent

Crosley Brands products are warranted against defects in material and workmanship for a period of one year beginning from the date of sale to the original purchaser. This warranty does not cover damage due to acts of nature, accident, misuse, abuse, negligence, commercial use or unauthorized modification of any part of the product. This warranty also does not cover damage due to improper operation or maintenance, connection to improper voltage supply, or attempted repair by anyone other than a facility authorized by Crosley Brands to service the product. This warranty does not cover products sold "as is", demo models, returns/second hand purchases or consumables (such as fuses or batteries). This warranty is valid only in the Continental United States, Canada and countries serviced by an Authorized Crosley International Distributor.

Should the unit fail under normal usage during the warranty period, a request for Return Material Authorization (RMA) must be made by the original purchaser before returning the unit to Crosley Brands. Please call our Consumer Support Team for an RMA and a PREPAID shipping label at from 8 AM to 8 PM (EST) Monday through Friday or submit a support request at
Canadian customers may be subject to an additional fee for customs, duties, and taxes.

Upon receiving the Return Material Authorization number from our Consumer Support Team, properly pack your unit in its original packing. Include any adapters, parts, and accessories which were originally provided with the product. Clearly display the RMA # on the outside of the carton and drop the unit off at a local FedEx store or contact FedEx for pickup. Crosley Radio assumes no responsibility for units sent without prior Return Authorization, or for fees associated with packaging, pickups and call tags.

The original purchaser's bill of sale from an Authorized Crosley Distributor/Retailer is the only acceptable proof of warranty entitlement and must be provided in the event of a request for parts or service under warranty.

*International Customers may visit us at for contact information for an Authorized Crosley Distributor in your area.

FURNITURE WARRANTY POLICY

Crosley Furniture products are warranted against defects in material and workmanship for a period of 90 days beginning from the date of sale to the original purchaser. This warranty does not cover damage due to acts of nature, accident, misuse, abuse, negligence, commercial use or modification of any part of the product. This warranty also does not cover damage due to improper assembly or usage, improper care and maintenance (literature accompanying the unit, and also available at , or attempted repair or alteration by anyone other than a facility authorized by Crosley Furniture to service the product. This
warranty does not cover products sold "as is", demo models, returns, or /second hand purchases.

Should you experience any damaged, defective, or missing parts, or just need help with assembly, please call our Consumer Support Team at to 8 PM (EST) Monday through Friday or submit a support request at
for assistance. Please note some customers may be referred back to the original retailer to resolve issues for certain situations and circumstances as deemed necessary by Crosley Furniture.

*International Customers may visit us at for contact information for an Authorized Crosley Distributor in your area.

The original purchaser's bill of sale from an Authorized Crosley Distributor/Retailer is the only acceptable proof of warranty entitlement and must be provided in the event of a request for parts or service under warranty.

DISCLAIMER

This Limited Warranty is the only express warranty made to you and is provided in lieu of any other express warranties or similar obligations (if any) created by any advertising, documentation, packaging, or other communications.

EXCEPT FOR THE LIMITED WARRANTY AND TO THE MAXIMUM EXTENT PERMITTED BY APPLICABLE LAW, CROSLY BRANDS (MODERN MARKETING CONCEPTS INC.) HEREBY DISCLAIMS ALL OTHER WARRANTIES AND CONDITIONS, WHETHER EXPRESS, IMPLIED OR STATUTORY, INCLUDING, BUT NOT LIMITED TO, THE IMPLIED WARRANTY OF MERCHANTABILITY OR OF FITNESS FOR A PARTICULAR PURPOSE. IN NO EVENT SHALL CROSLY BRANDS (MODERN MARKETING CONCEPTS INC.) OR ITS SUPPLIERS BE LIABLE TO YOU OR ANY THIRD PARTY FOR ANY INDIRECT, INCIDENTAL, CONSEQUENTIAL, SPECIAL OR EXEMPLARY DAMAGES ARISING OUT OF THE USE OF THE PRODUCT, INCLUDING, WITHOUT LIMITATION, PROPERTY DAMAGE, LOSS OF VALUE OF THE PRODUCT OR LOSS OF USE OF THE PRODUCT, EVEN IF CROSLY BRANDS (MODERN MARKETING CONCEPTS INC.) HAS BEEN ADVISED OF THE POSSIBILITY OF SUCH DAMAGES.

FINE PRINT

Your retailer or Authorized Crosley Distributor is responsible for any malfunctions during their specified return period. This warranty gives you specific legal rights, and you may have other rights that vary by country, state and jurisdiction. These rights shall not be affected by this limited warranty. This warranty cannot be transferred or reassigned. There are no express warranties except as listed above. The original purchaser's bill of sale is the only proof of warranty entitlement. This warranty gives the original purchaser specified legal rights in addition to any rights which may vary from state to state.

In accordance with the "Moss-Magnuson Warranty Act" of July 10, 1975, this is termed a "limited warranty" which in no way compromises Crosley Brands high standards of quality and workmanship.



USE & CARE INSTRUCTIONS

Please read Use & Care Instructions in its entirety prior to assembling and utilizing your Crosley Furniture.

KEEPING YOUR FURNITURE BEAUTIFUL

Quality furniture is a significant investment expected to last for years on end. To maintain its beauty and help it last, furniture needs the right care. No finish is totally indestructible. But with regular care, the finish will last much longer, providing years of enjoyment to you.

Tips to Protect and Care for Your Furniture

1. Avoid placing your furniture in direct sunlight, as sunlight causes fading.
2. Avoid extreme changes in temperature by arranging furniture away from radiators, heat and air vents and air conditioning units.
3. Avoid placing plastic or rubber materials (lamp bases, notebooks, placemats, etc.) on your furniture, as certain plastics contain ingredients that may damage the finish.
4. Periodically rotate accessories on furniture so they do not sit in the same spot all the time.
5. Use pads, cloth or felt to protect the furniture surface from plastic, rubber, hot dishes, beverages, bookends, flowerpots and vases.
6. Clean up spills immediately. Use a blotting rather than a wiping action. Water left over a long period of time will cause white spots in the finish. Alcohol, perfume, after-shave and medications can cause severe finish damage.
7. Use a protective pad when writing on the furniture surface.
8. Lift and place objects rather than dragging them across the furniture surface.
9. Avoid placing furniture directly under windows.

Wood Furniture Care: We recommend dusting frequently with a clean, soft, dry, lint-free cloth. Clean the surface by rubbing in the direction of the grain. We recommend polishing your furniture approximately every six months, using a clean, soft, lint-free cloth and rubbing the polish in the direction of the grain. Guardsman furniture polish or any furniture polish that doesn't contain silicone is recommended.

Leather Furniture Care: Wipe spills immediately with clean cloth or sponge. For spots or stains and daily cleaning, clean with mild non-detergent soap. Rinse well, gently wipe off, and allow to air dry. Cleaning Butter, Oil or Grease from Leather: Wipe leather with a clean cloth, and leave alone. The oil will be absorbed by the leather. DO NOT APPLY WATER. Also, do not use saddle soap, cleaning solvents, furniture polish, oils, varnish, abrasive cleaners, ammonia or any other type of chemical solution.

Granite Care: Our granite is not sealed, so you may want to apply an over-the-counter sealant, which will provide a small amount of surface protection, but we still recommend cleaning spills promptly. Use a slightly damp cloth to clean as needed. Wipe dry. We also do not recommend using abrasive cleaners, chemical solvents, strong detergents, cleaners with bleach, and furniture polish. Be sure to use trivets, coasters, placemats, and adhesive felt pads to help prevent scratches.

Butcher Block Care: For best results, clean finished butcher block surfaces with soapy water or commonly available kitchen counter top cleaners. Do not use abrasives or powder cleansers. Do not allow moisture stand on the surface for prolonged periods of time. To sanitize, rinse the butcher block with white vinegar by using a vinegar-water solution in a spray bottle, spritz the butcher block all over. Let sit for a while. While that sits, make a lemon salt mixture by pouring about 1/4 cup salt into a bowl, and stir in enough lemon juice to make a paste, adjust the consistency as you go, to make a workable paste. The final step, using a scrub brush, thoroughly scrub your butcher block with the lemon-salt paste. If the paste gets too dry, sprinkle on a little more lemon juice. Rinse well, and squeegee off as much water as you can, and then let it dry overnight. Make sure to seal it before you get it dirty again. Pour out a small amount of oil, and rub it into the wood using a cloth or paper towel. As the oil soaks in, add more and continue rubbing and polishing with the grain until the oil is absorbed. The first time you seal your butcher block, it may take several applications before it stops “drinking” oil, but in later cleanings you’ll just need to refresh it. Keep adding oil until no more soaks in, remove any excess with a cloth.

Wicker Furniture Care: Regular cleaning is recommended for wicker, as it generally cannot endure harsh or abrasive treatments. This also minimizes mildew buildup. To remove dirt and debris, vacuum with a dust-brush attachment or use a dry paintbrush. Clean with a mild soap solution. Scrub, and rinse. Avoid using too much water, which can weaken the fibers. Avoid sitting on the wicker when still damp, which can cause wicker to sag. Please always cover the furniture when not in use, and store properly during inclement weather and the winter/rainy seasons. If wicker furniture is caught during a sudden rain storm, please make sure to drain any water that may have accumulated inside the frame.

Metal Furniture Care: Because most metals, except aluminum, are subject to rust, metal furniture is usually finished with layers of clear varnish, paint, or a durable powder coating. Use a mild soap solution, and scrub, rinse, and dry. Make sure to drain any water that may accumulate inside the frames after rinsing. After cleaning, apply a coat of quality liquid or paste auto wax with a lint-free cloth. Use a silicone spray to lubricate swivels and glides on chairs. If metal outdoor furniture is caught during a sudden rain storm, please make sure to drain any water that may have accumulated inside the frame.

Outdoor Cushion Care: Please note our cushions are made from a high density polyester foam, and the covers are made from a moisture resistant polyester blend. This does not mean they are waterproof! We do not recommend leaving cushions out in inclement weather, and if cushions become wet, please dry them immediately by removing the cushion from the cover so they can dry separately. Wring out any excess moisture before drying. Air dry only! Cushion covers are machine washable (gentlest cycle with like colors and cold water), and we recommend separating the cushion cover from the core for any cleaning purposes. Always air dry the cushion covers and cushion cores after wringing out excess moisture, and do not attempt to wash cushion cores. Cushions should be stored and covered when not in use to protect them from rain, sunlight, and other staining agents.

**MOISTURE
RESISTANT**



WATERPROOF



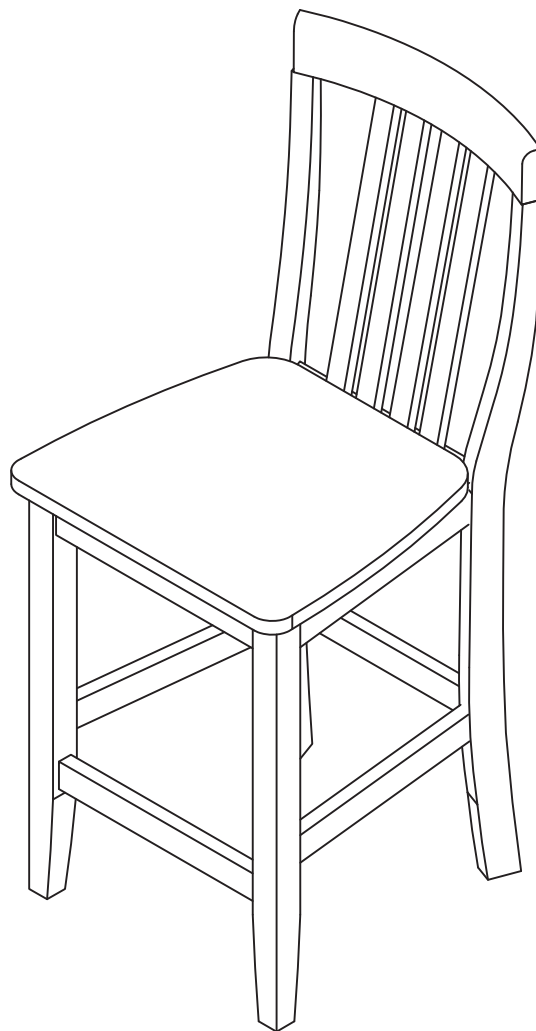
Outdoor Furniture Storage: We highly recommend storing any outdoor furniture during inclement weather, winter and/or the rainy season. Before storing your furniture, please ensure all moisture collected in the frame tubes has been drained. When outdoor furniture is not in use, we recommend covering all the furniture to protect it against the elements. If outdoor furniture is caught during a sudden rain storm, please make sure to drain any water that may have accumulated inside the frame.

Coastal Customers: Due to the corrosive nature of salt, extra care must be taken due to the higher salinity in the air as well as the possibility of direct contact from sea spray. Keep outdoor metal/wicker furniture covered when not in use, and rinse with fresh water on a regular basis to prevent salt accumulation. Make sure to drain any water that may accumulate inside the frames after rinsing. Additional protection in the form of protective transparent sealer is recommended as well.



Bar Stool



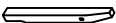

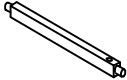
CF500324/500330










ASSEMBLY INSTRUCTIONS

ITEM#: CF500324/500330

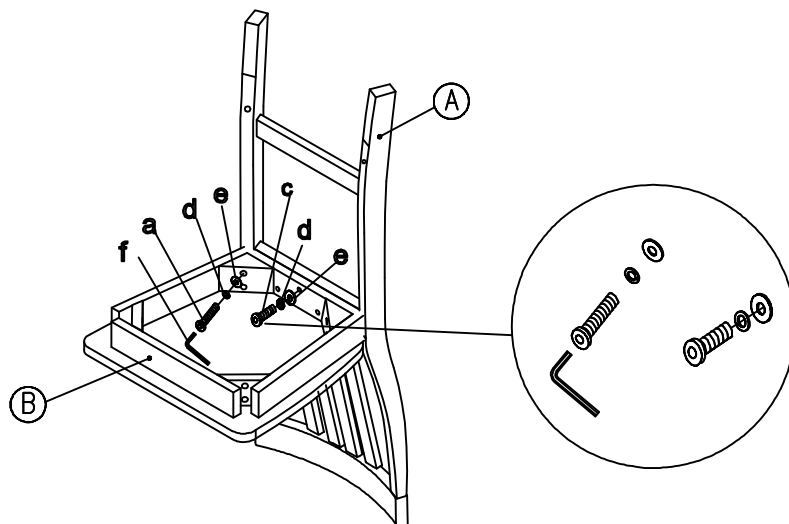
DESCRIPTION: 24/30 Inch Bar Stool





Part Lists			
No.	Description	Sketch	Q'ty
A	BACK FRAME		1 PC
B	SEAT FRAME		1 PC
C	FRONT LEG (RIGHT AND LEFT)		1 PAIR
D	SIDE STRETCHER (RIGHT AND LEFT)		1 PAIR
E	FRONT STRETCHER		1 PC

Hardware Lists			
No.	Description	Sketch	Q'ty
a	LONG BOLT (1/4" x 80 mm)		4 PCS
b	BOLT (1/4" x 60 mm)		4 PCS
c	SHORT BOLT (1/4" x 40 mm)		3 PCS
d	SPRING WASHER		11 PCS
e	FLAT WASHER		11 PCS
f	ALLEN WRENCH		1 PC
g	SCREW (4mm x 38mm)		6 PCS

Step 1

Attach seat frame (B) to the back frame (A) using long bolts (a), short bolts (c), spring washers (d), and flat washers (e) as shown in Figure 1. Three short bolts (c) will be used in the center of the seat frame. The four long bolts (a) will be used on the back corners of the seat frame.

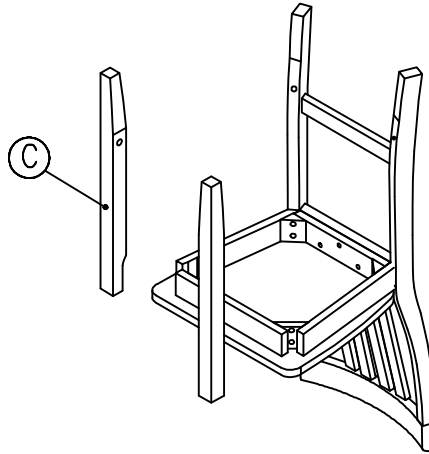


 x 4  x 3  x 7  x 7

Step 2

Attach left and right front legs (C) to the seat frame (B) using the bolts (b), spring washers (d) and flat washers (e) as shown in Figure 2. **Do not tighten bolts at this time.**

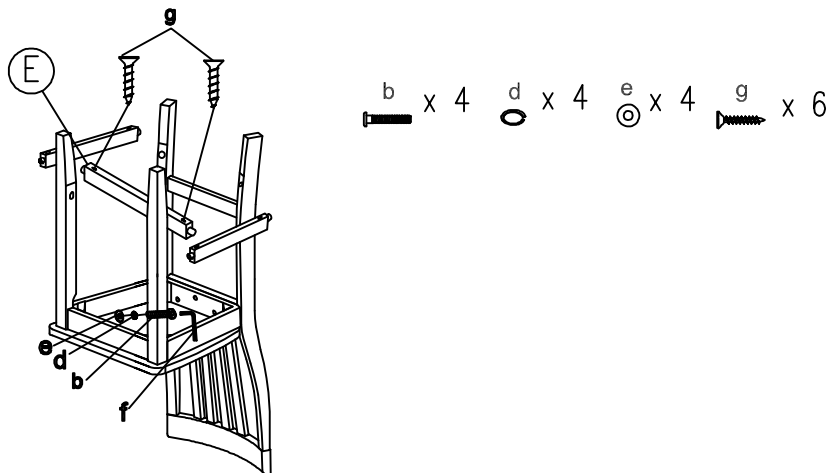
Note: The left and right front legs (C) are marked "R" & "L".



Step 3

Insert the left and right side stretchers (D) into the back frame legs (A) and the front legs (C). Insert the front stretcher (E) into the front legs (C) as shown in Figure 3.

Note: If you have trouble inserting the stretchers, loosen the bolts (b) slightly to allow for extra space. The side stretchers (D) are marked "R" & "L".



Step 4

Ensure that the side stretchers (D) are flush with back frame (A) and front legs (C). Secure with screws (g) using Phillips head screw driver. Repeat this step, securing the front stretcher (E) to the front legs (C). Finger-tighten the bolts (b).

Step 5

Turn stool upright on its legs and place on a flat, level floor. Make sure that the stool is level and square. Tighten all bolts (a, b and c) completely with supplied Allen wrench (f).

RETURNS POLICY

- Please note: This policy applies **ONLY** to products purchased directly through Crosley. If purchased through a retailer please reference that retailer's return policy. Clearance items, used, demo, or products marked as 'Sold As Is' may not be returned or exchanged because all Clearance sales are final.
- Return Authorizations (RA) for all Crosley Furniture **MUST** be requested within 15 days of product delivery date.
- All returns must be authorized through the Crosley Consumer Service Team and must be for valid reasons associated with defects, damages, mislabeling or misrepresentation of the product. Requests for Return Authorizations (RA) resulting from 'Buyer's Remorse', partially assembled products, or products displaying damage from neglect or abuse on the part of the consumer will not be approved. Products returned without an RA will not be eligible for a refund.
- For any questions about or to be issued a Return Authorization (RA) number, please call the Crosley Consumer Services Team at (800) 815-4796, or contact us via our website at [www.crosley.com](#). The Crosley Consumer Services Team is based in Louisville, KY and is available Monday - Friday from 8am to 8pm EST.
- Crosley recommends keeping the original box and packaging so that any returns can be repacked and shipped safely. If the original box and packaging has been discarded or recycled, or if the original packaging is not available, then the responsibility of securely repacking the product is the responsibility of the consumer. Authorized returns must meet the following conditions for a refund to be processed:
 1. The Product must be in new/unused condition
 2. The Product must be returned with all accessories and parts securely packed in the original box and packaging, or packaging provided by the consumer that prevents damage during return shipping.
- Shipping charges back to Crosley will be deducted from the refund amount, and will be equal to the shipping charges on the original sales order.
- Crosley Furniture returns are subject to a 15% restocking fee for all authorized returns. This restocking fee covers the costs associated with inspecting and returning the product to stock, and will be deducted from the refund amount.
- Crosley Furniture will waive the restocking fee if the product is exchanged for another product of equal or greater value. Any price differences will be charged accordingly, and fees associated with shipping will still be applicable.
- Authorized returns are inspected immediately upon receipt. Any approved exchanges, credits and refunds will be issued for the purchase price of the item(s) at that time less any applicable fees; taxes are refunded in accordance with state law.
- Refunds and credits are issued based on the payment method used at the time of purchase. Please allow up to 21 days following receipt of the authorized return (not including weekends and holidays) for any credit or refund to show up on a credit card statement. A copy of the refund transaction can be requested from a Crosley Consumer Services Team member.

CANCELLATION POLICY

Crosley products usually ship within two business days. If you change your mind about a purchase, please contact Crosley Consumer Services as soon as possible. If we are able to stop the order before it has been released for shipment, we will cancel the order without penalty. If the item has already shipped, please see our Returns Policy above for more information.

FREIGHT DAMAGE OR DEFECTS

On occasion, freight damage and factory defects may occur, and we will do our best to promptly replace any parts that are covered by our limited warranty included for all furniture products. Please note that parts replaced under warranty will be shipped via Ground Shipping only. Replacement parts will not be expedited unless the consumer is willing to pay for the extra charges. (See Warranty Policy Page). Please take pictures or note any damage upon delivery and provide this information to a Crosley Consumer Services Team member when you contact us. With this feedback, we will continue to improve our products, packaging and shipping methods, and when necessary, we will file claims with the shipping company.