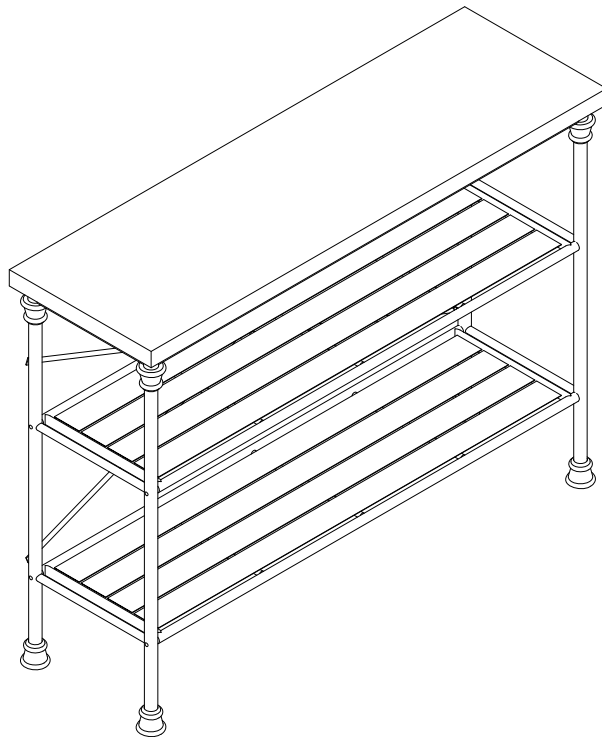
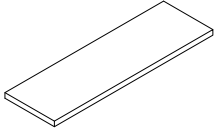
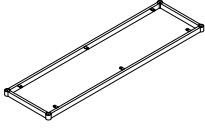
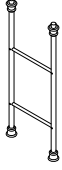
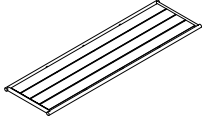
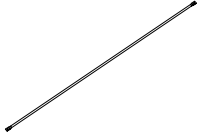




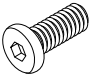
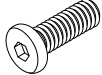
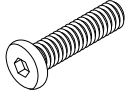
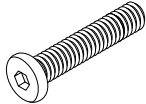

Console
CF6130



PART LIST

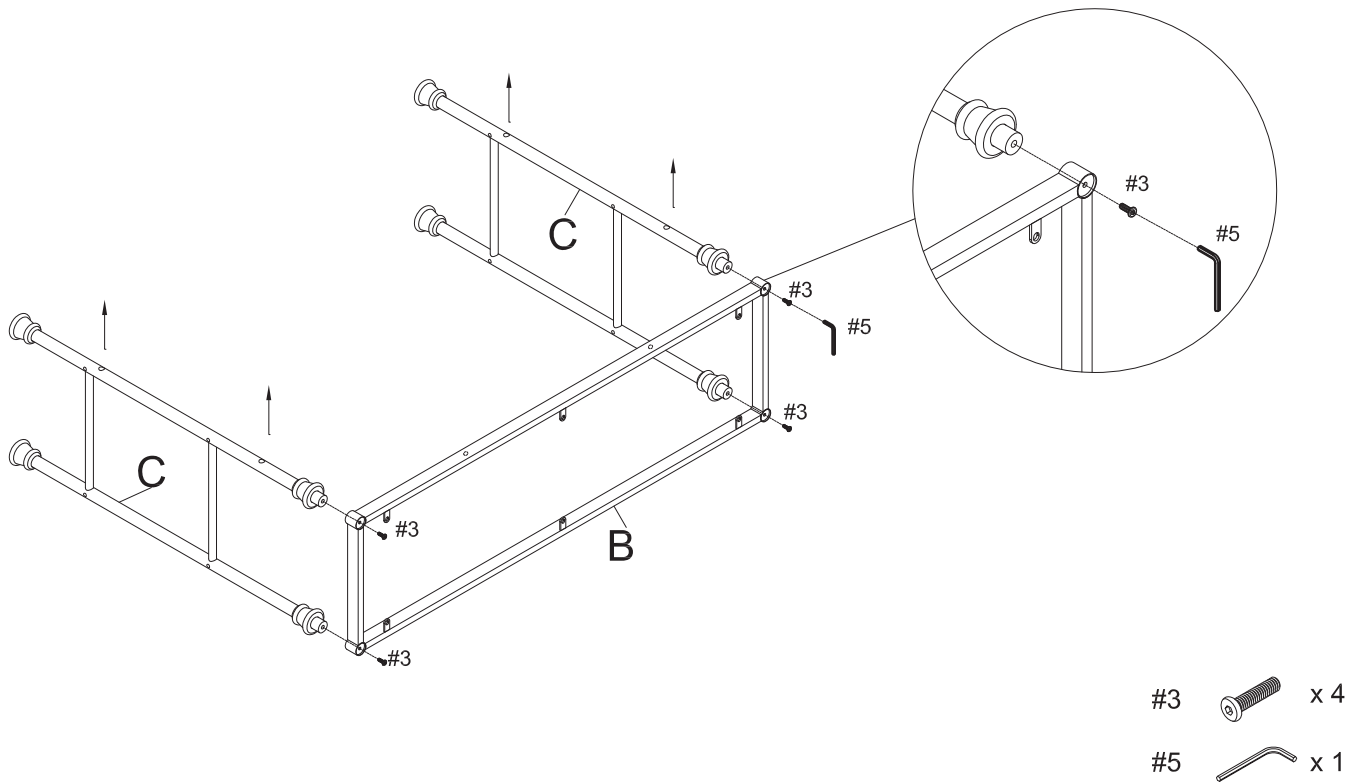
<p>A</p> 	<p>B</p> 	<p>C</p> 	<p>D</p> 	<p>E</p> 
<p>Marble Top 1 PC</p>	<p>Top Frame 1 PC</p>	<p>Side Panel 2 PCS</p>	<p>Shelf Panel 2 PCS</p>	<p>X Rail 2 PCS</p>

HARDWARE LIST

<p>#1</p> 	<p>#2</p> 	<p>#3</p> 	<p>#4</p> 	<p>#5</p> 
<p>1/4" x 1/2" L</p> <p>Short Bolt 4 PCS (Extra 1)</p>	<p>1/4" x 5/8" L</p> <p>Bolt 6 PCS (Extra 1)</p>	<p>1/4" x 1" L</p> <p>Medium Bolt 4 PCS (Extra 1)</p>	<p>1/4" x 1-1/2" L</p> <p>Long Bolt 8 PCS (Extra 1)</p>	<p>Allen Wrench 1 PC</p>

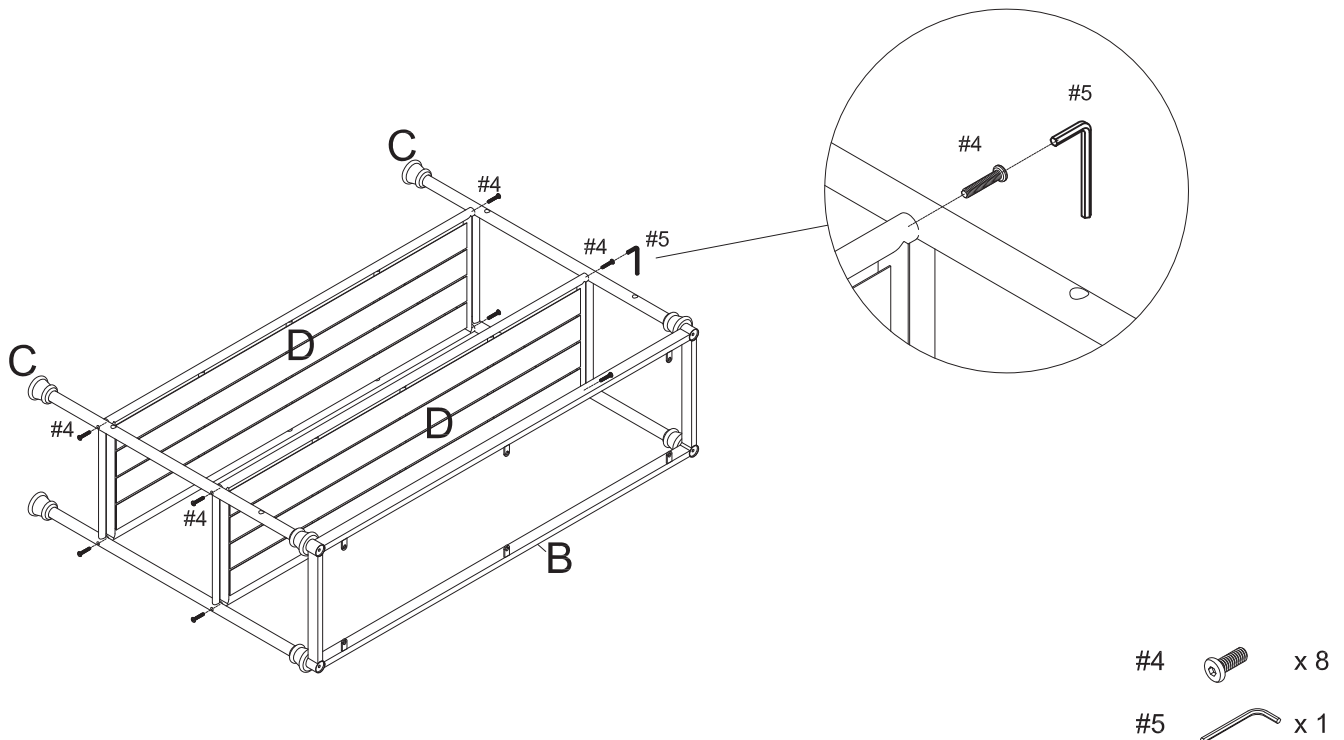
Step 1. Attach top frame (part B) to side panels (part C) using medium bolts (part #3) and allen wrench (part #5).

Note: The predrilled holes on top frame (part B) and side panels (part C) should be facing the same side.
Please do not fully tighten bolts at this time.



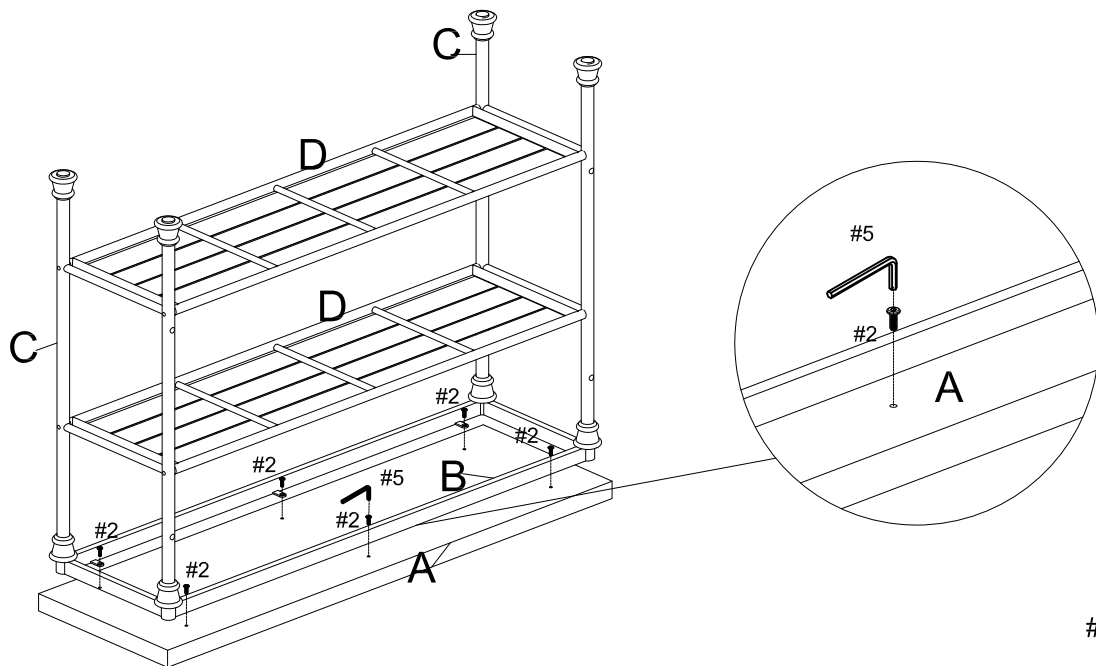
Step 2. Attach shelf panels (part D) to side panels (part C) using long bolts (part #4) and allen wrench (part #5).

Note: Please fully tighten all bolts at this time.



Step 3. Carefully lay marble top (part A) upside down on a flat, soft surface, such as carpet. Attach assembled unit (parts B, C & D) to marble top (part A) using bolts (part #2) and allen wrench (part #5).

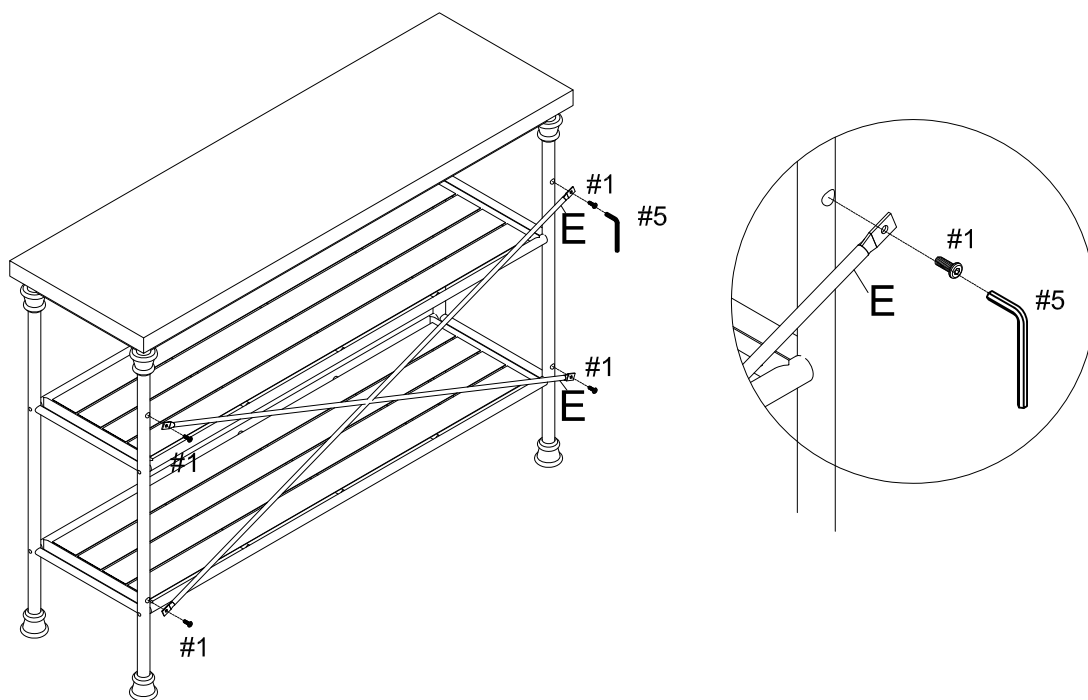
Note: Please fully tighten all bolts at this time.





- #2  x 6
- #5  x 1

Step 4. Carefully turn unit upright. Attach X rails (part E) to back of unit using short bolts (part #1) and allen wrench (part #5).

Note: Please fully tighten all bolts at this time.



- #1  x 4
- #5  x 1