

REV-A-SHELF®

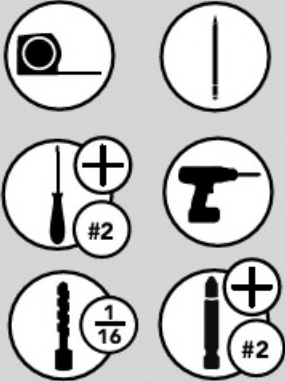
Innovation through Organization™



INSTALLATION INSTRUCTIONS

5PSP SOFT-CLOSE CHROME BLIND CORNER ORGANIZER

TOOLS REQUIRED:



ESTIMATED ASSEMBLY TIME:

45 MIN

CARE AND MAINTENANCE:

Clean with a damp cloth and wipe parts dry.

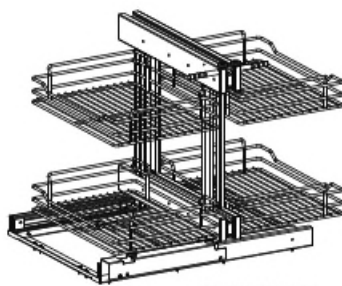
INSTALLATION OPTIONS

5PSPSC-15 (15" Opening) page 2
left handed door

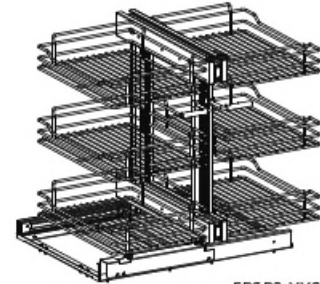
5PSPSC-15 (15" Opening) page 4
right handed door

5PSPSC-18 (18" Opening) page 6
left handed door

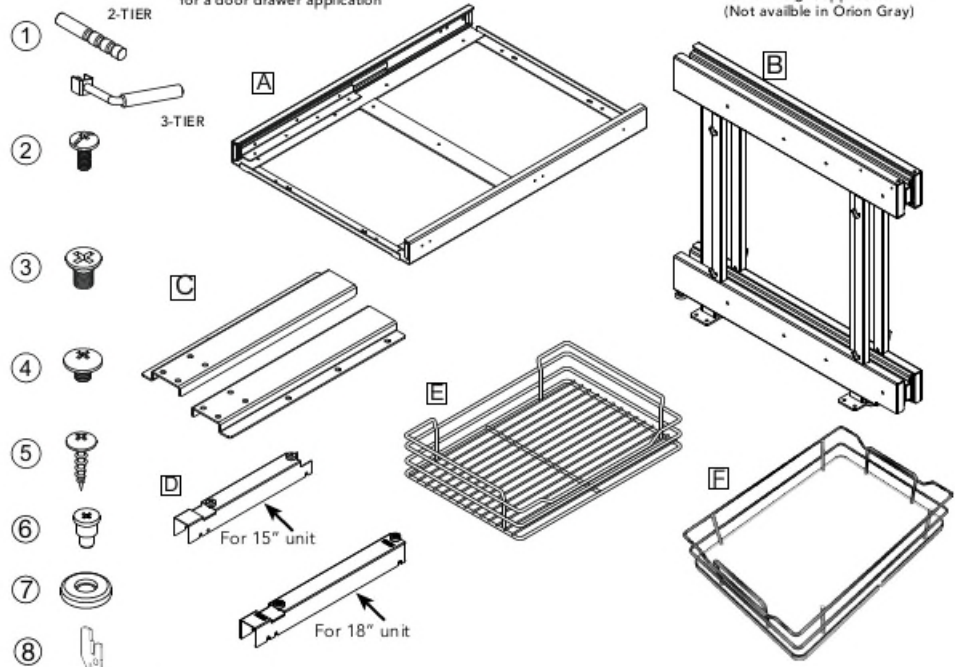
5PSPSC-18 (18" Opening) page 8
right handed door



5PSP-XXSC-CR
for a door drawer application



5PSP3-XXSC-CR
for full height application
(Not available in Orion Gray)

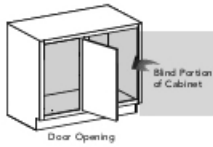


FITTING PARTS LIST:

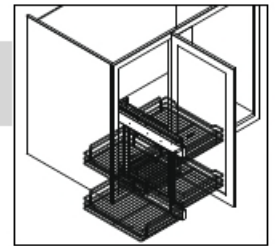
	Description	QTY
1	Handle	2
2	M4x10mm flat-headed screw	2
3	M6x10mm wafer head screw	8
4	M5x6mm flat-headed screw	8
5	5/32 x18mm wood screw	19
6	Shoulder Bolt	2
7	Wheel	2
8	Hooks (Orion Gray Version Only)	8

PANEL PARTS LIST:

	Description	QTY
A	Base	1
B	Frame	1
C	Foot	1
D	Guide channel	1
E	Basket	4 or 6
F	Solid Bottom Tray	4 or 6



5PSP-15 (LEFT HANDED DOOR/15" OPENING)

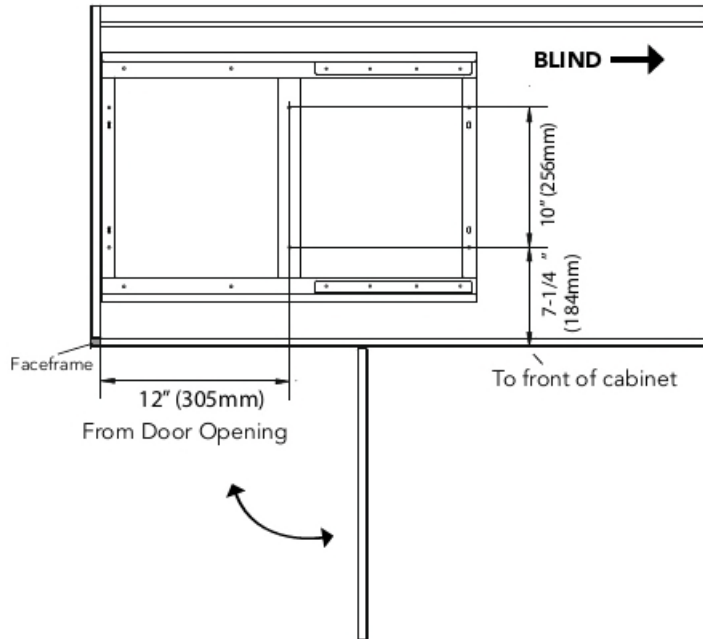


STEP 1

Mount Base (Fig A)

Note: If installing into a face frame cabinet, Slide Base A must be flush with the face frame opening.

Fig A)



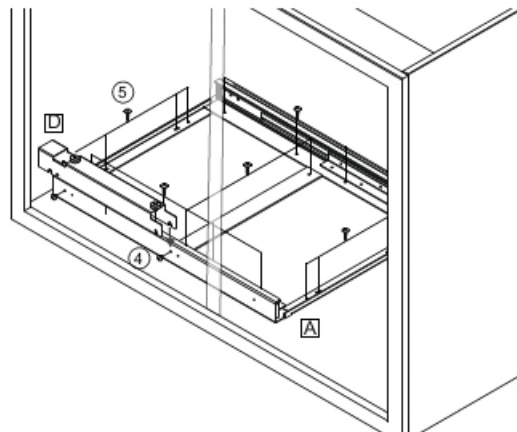
STEP 2

Attach the base (A) with slide channel (d) to floor of cabinet (Fig B)

NOTE: Pre-starting the mounting screws (4) is recommended



Fig B)



STEP 3

Attach Handles.

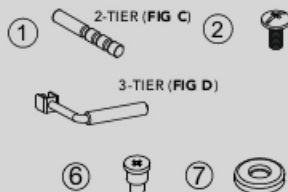


Fig C)

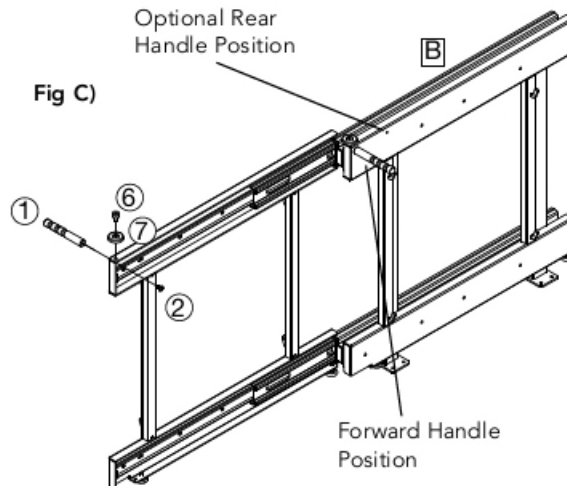
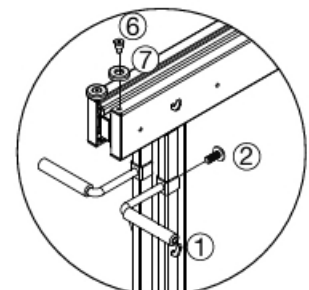


Fig D)



3-Tier Handle Position

STEP 4

Adjust front wheel position for left hand opening. (Fig E)

Attach feet (C) using screw (3) (Fig F)



Fig E)

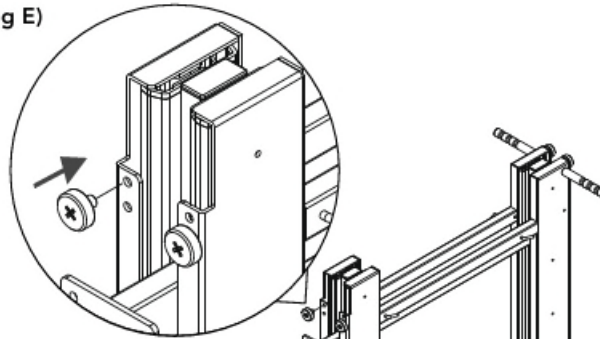
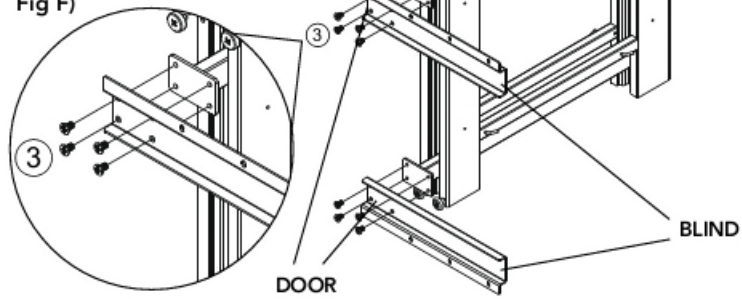


Fig F)

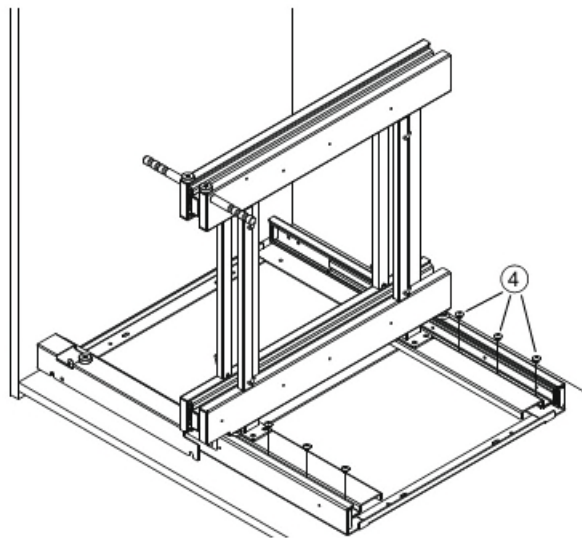


STEP 5

Secure the feet (C) to the base (A) using screw (4) (Fig G)



Fig G)



STEP 6

Attach hooks (Orion Gray version only) (Fig H1) and hang the baskets as shown. (Fig H2)

NOTE: Baskets show in forward position. They can be moved to the rearward position for additional clearance. Bottom basket must hang from the 2nd wire from the top.

Fig H1)

Attach Hooks (Orion Gray):

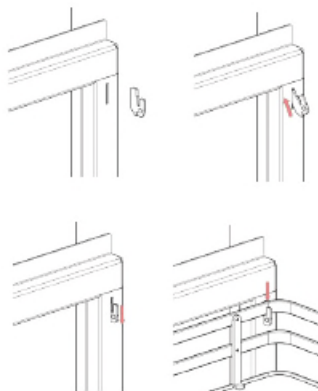
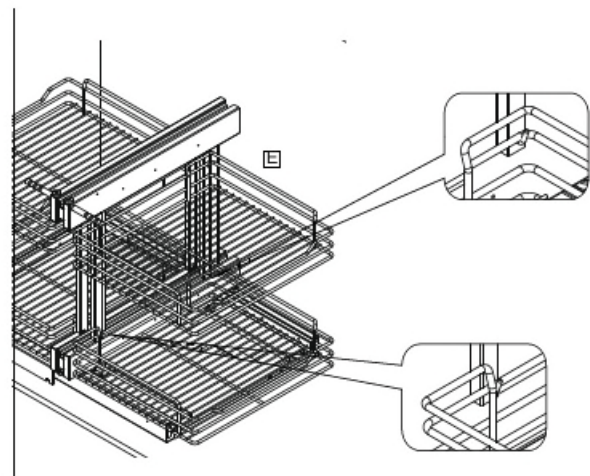
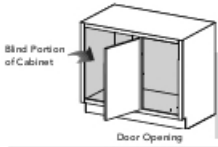
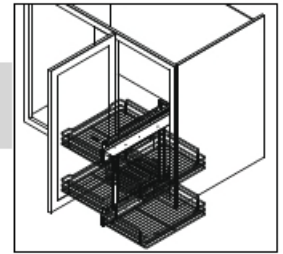


Fig H2)





5PSP-15 (RIGHT HANDED DOOR/15" OPENING)

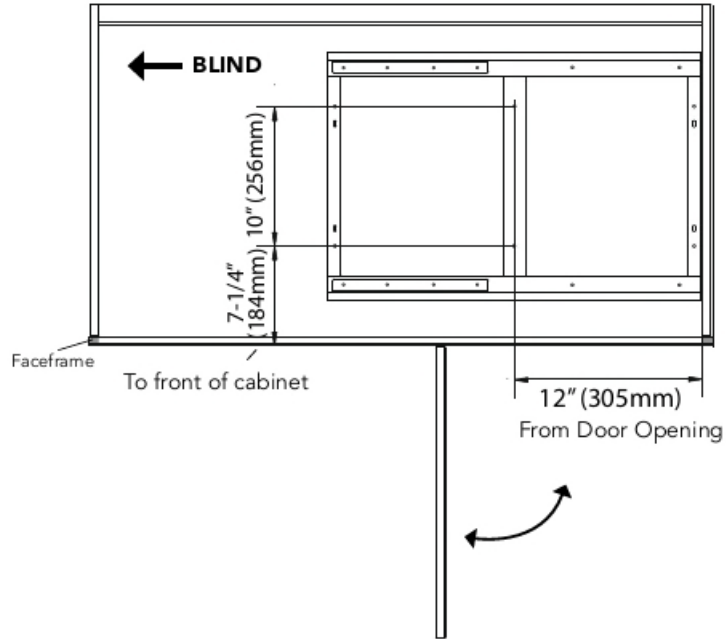


STEP 1

Mount Base (Fig A)

Note: If installing into a face frame cabinet, Slide Base A must be flush with the face frame opening.

Fig A)



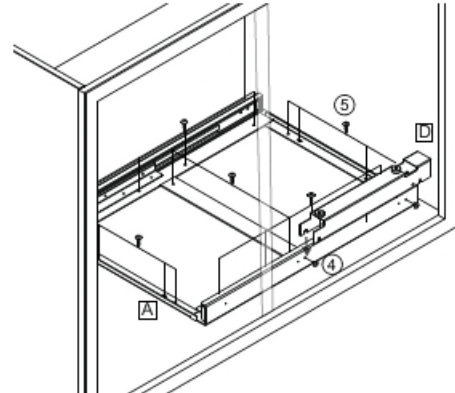
STEP 2

Attach the base (A) with slide channel (d) to floor of cabinet. (Fig B)

NOTE: Pre-starting the mounting screws (4) is recommended



Fig B)



STEP 3

Attach Handles.



Fig C)

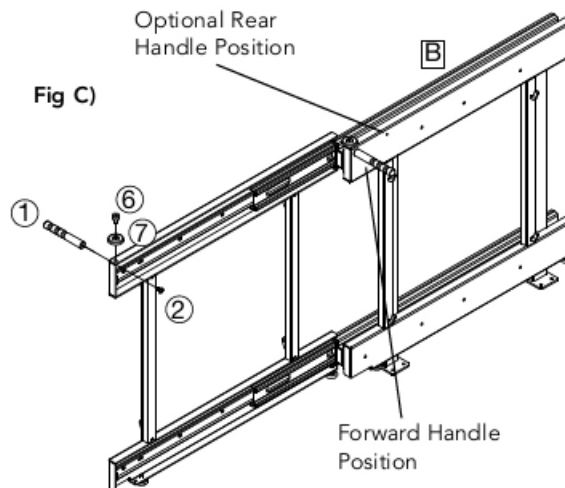


Fig D)

