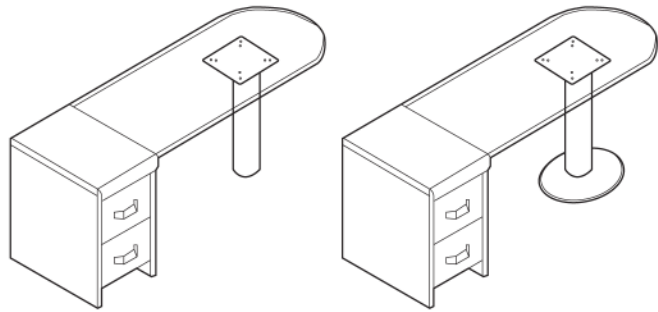


- Used as a support leg for peninsula tops
- With single large leveler, Ø105 mm (4 1/8") with M10 threads

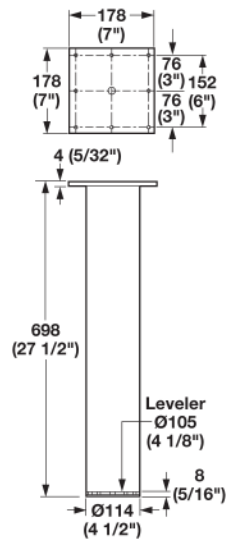


Single Column Support Leg

Height adjustment: 698 + 19 mm (27 1/2" + 3/4")
 Ø114 mm (4 1/2")

Material: Steel, epoxy-coated
 Leveler: Plastic; Color: black

Finish/Color	Item No.
silver/aluminum RAL 9006	635.35.271
black textured	635.35.371



Single Column Table Base

Height adjustment: 690 - 850 mm (27 1/4" - 33 1/2")
 Ø120 mm (4 3/4")

Material: Steel, epoxy-coated

Color	Item No.
black	638.45.300

Note

Height adjustable inner tube is held in place via set screws.

