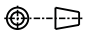
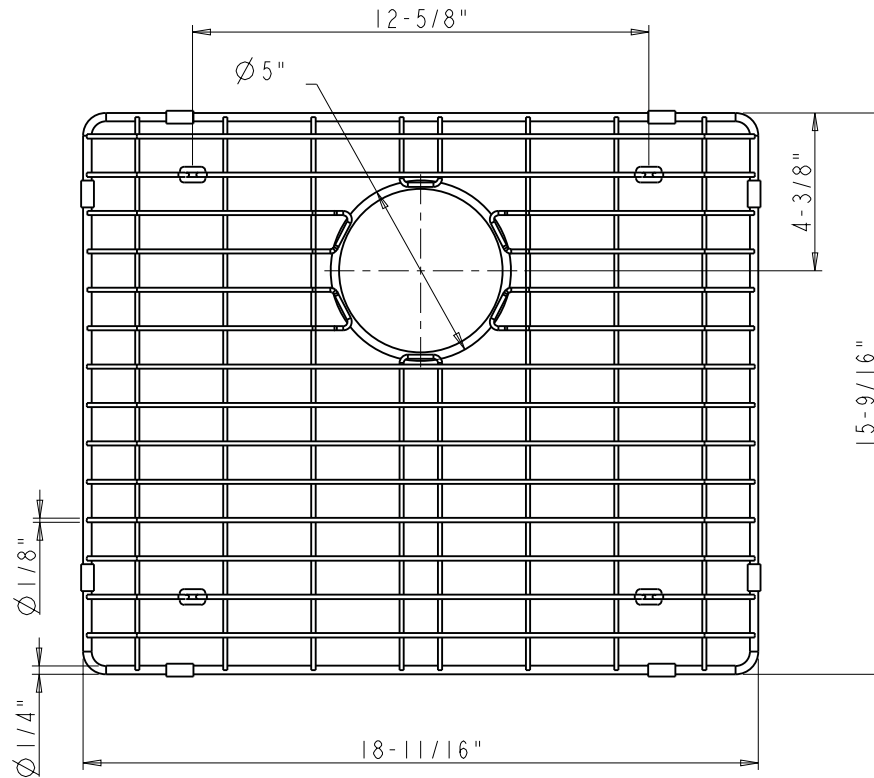
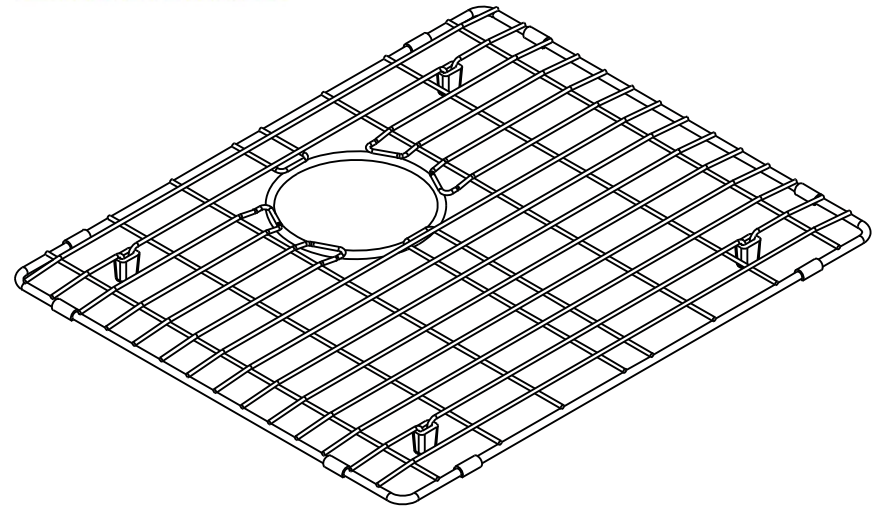
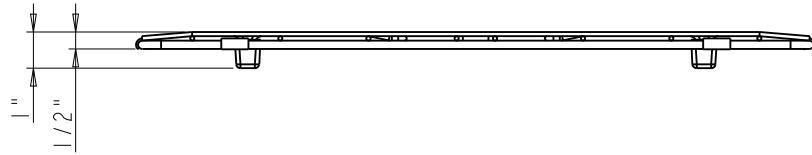
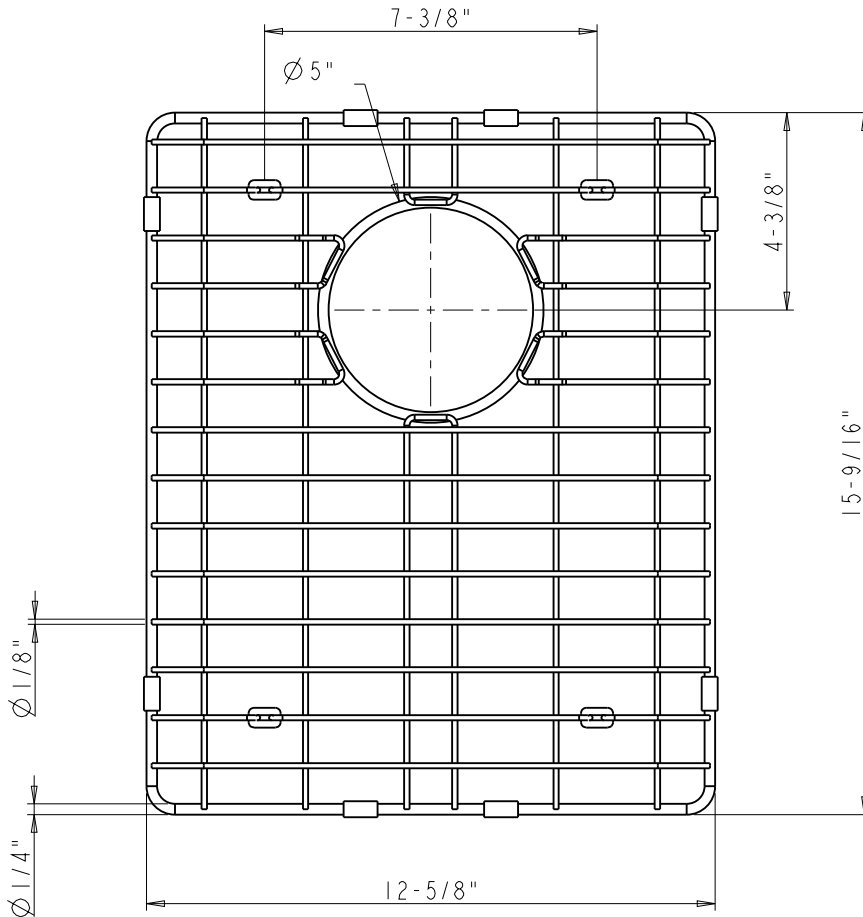
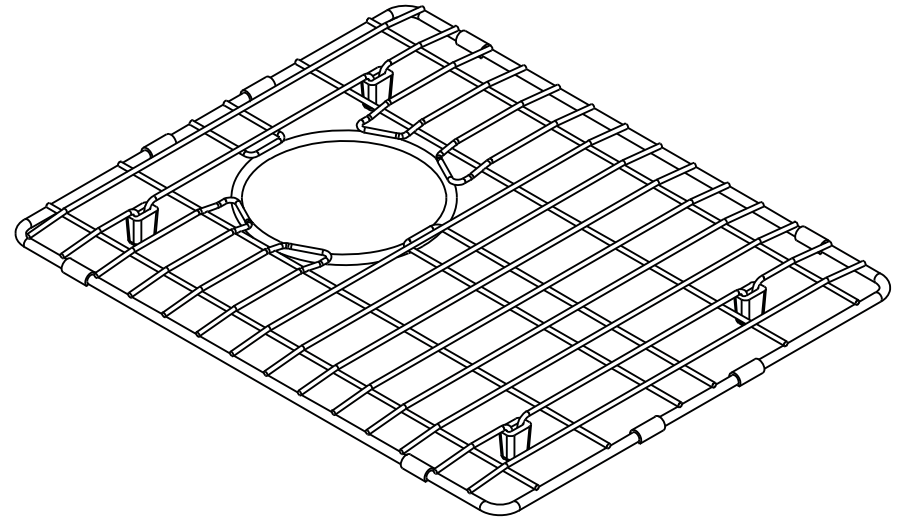
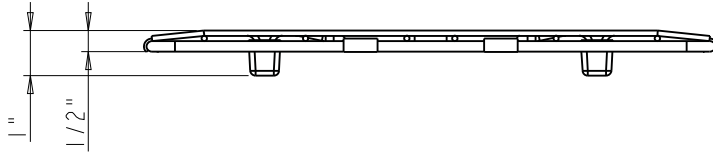
 PROPRIETARY AND CONFIDENTIAL THE INFORMATION CONTAINED IN THIS DRAWING IS THE SOLE PROPERTY OF HARDWARE RESOURCES INC. ANY REPRODUCTION IN PART OR AS A WHOLE WITHOUT THE WRITTEN PERMISSION OF HARDWARE RESOURCES INC. IS PROHIBITED.	ITEM#: HA225-GRID	MATERIAL: STEEL
	FINISH:	WEIGHT: 0.000 g
	TOLERANCE UNLESS OTHERWISE SPECIFIED: X ±0.20 XX ±0.10 XXX ±0.05 ANGULAR: ±0.5°	PROJECTION 
	UNITS: A4	DRAWN BY: <i>Hugo.cai</i>
DO NOT SCALE DRAWING	DATE: 01-04-16	DATE:
	REVISION:	REVISION:

hardwareresources.com

1.800.667.8721



hardwareresources <small>PROPRIETARY AND CONFIDENTIAL</small> THE INFORMATION CONTAINED IN THIS DRAWING IS THE SOLE PROPERTY OF HARDWARE RESOURCES INC. ANY REPRODUCTION IN PART OR AS A WHOLE WITHOUT THE WRITTEN PERMISSION OF HARDWARE RESOURCES INC. IS PROHIBITED.	ITEM#: HA225-GRID-A	MATERIAL: STEEL	
	FINISH:	WEIGHT: 0.000	
	TOLERANCE UNLESS OTHERWISE SPECIFIED: X .0005 XX .0010 XXX .0015 ANGULAR: .0015	PROJECTION:	DATE: 12-29-15
	UNITS: A4	DRAWN BY: Hugo.cai	DATE:
DO NOT SCALE DRAWING	SHEET: 1 OF 1	APPROVED BY:	
	RELEASE LEVEL:	REVISION:	



	ITEM#: HA225-GRID-B	MATERIAL: STEEL
	FINISH:	WEIGHT: 0.000
<p>PROPRIETARY AND CONFIDENTIAL</p> <p>THE INFORMATION CONTAINED IN THIS DRAWING IS THE SOLE PROPERTY OF HARDWARE RESOURCES INC. ANY REPRODUCTION IN PART OR AS A WHOLE WITHOUT THE WRITTEN PERMISSION OF HARDWARE RESOURCES INC. IS PROHIBITED.</p>	TOLERANCE UNLESS OTHERWISE SPECIFIED: X .0005 XX .0010 XXX .0015 ANGULAR: .0015°	PROJECTION
	UNITS: A4	DRAWN BY: Hugo.cai
	DATE: 12-29-15	APPROVED BY:
	DATE:	REVISION:
DO NOT SCALE DRAWING	SHEET: 1 OF 1	RELEASE LEVEL: