



# Deluxe Fixed Position Non-Electric Ironing Center | NE-42

Product Specification Packet

February 2021

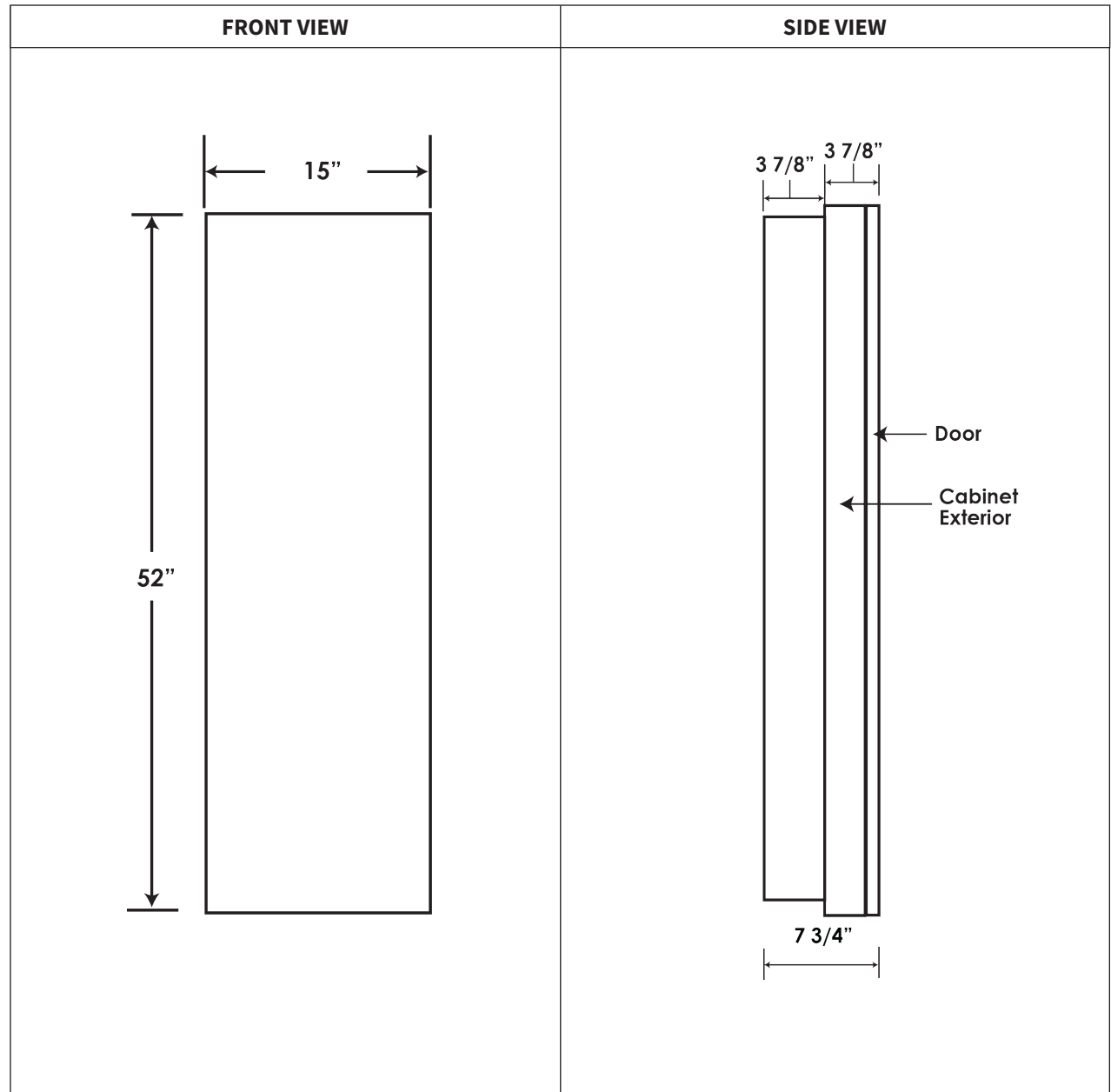
## Product Dimensions

<b>OVERALL SIZE</b>	
Cabinet Height	52"
Cabinet Width	15"
Cabinet Depth*	7 3/4"
Door Size	52" H x 15" W x 3/4" D
<b>ROUGH-IN OPENING</b>	
Height	51 1/4"
Width	14 3/8"
Depth*	3 7/8"
<b>DEPTH INTO ROOM</b>	
Recessed*	3 7/8"
Surface Mount*	7 3/4"
<b>CABINET FACE FRAME OVERLAP WHEN RECESSING</b>	
Overlap	3/8"

\*Depth includes door

## Installation Heights

MOUNTING HEIGHT ABOVE FLOOR	DESIRED IRONING HEIGHT
29"	36"
28"	35"
27"	34"
26"	33"
25"	32"



## Board Clearance Requirements

Minimum required space for the ironing board to lower completely.

	RECESSED MOUNT	SURFACE MOUNT
<b>1. Clearance from Wall to Tip of Board</b>	42"	46"
<b>2. Hinge Side Clearance for 180° Degree Door Swing</b>	16"	16"

## For Further Review

### 1. Space required for board to come down flat

To ensure a flat and level ironing surface, be sure to that you have a full 42" in front of the desired installation location when recessing. When surface mounting, ensure there is 46" clearance.

### 2. Recommended 16" on hinge side for full 180° door swing

While not required, we recommend 16" on hinge side to allow the door to open fully against the wall, ensuring optimal standing area when ironing.

## Items to Note:

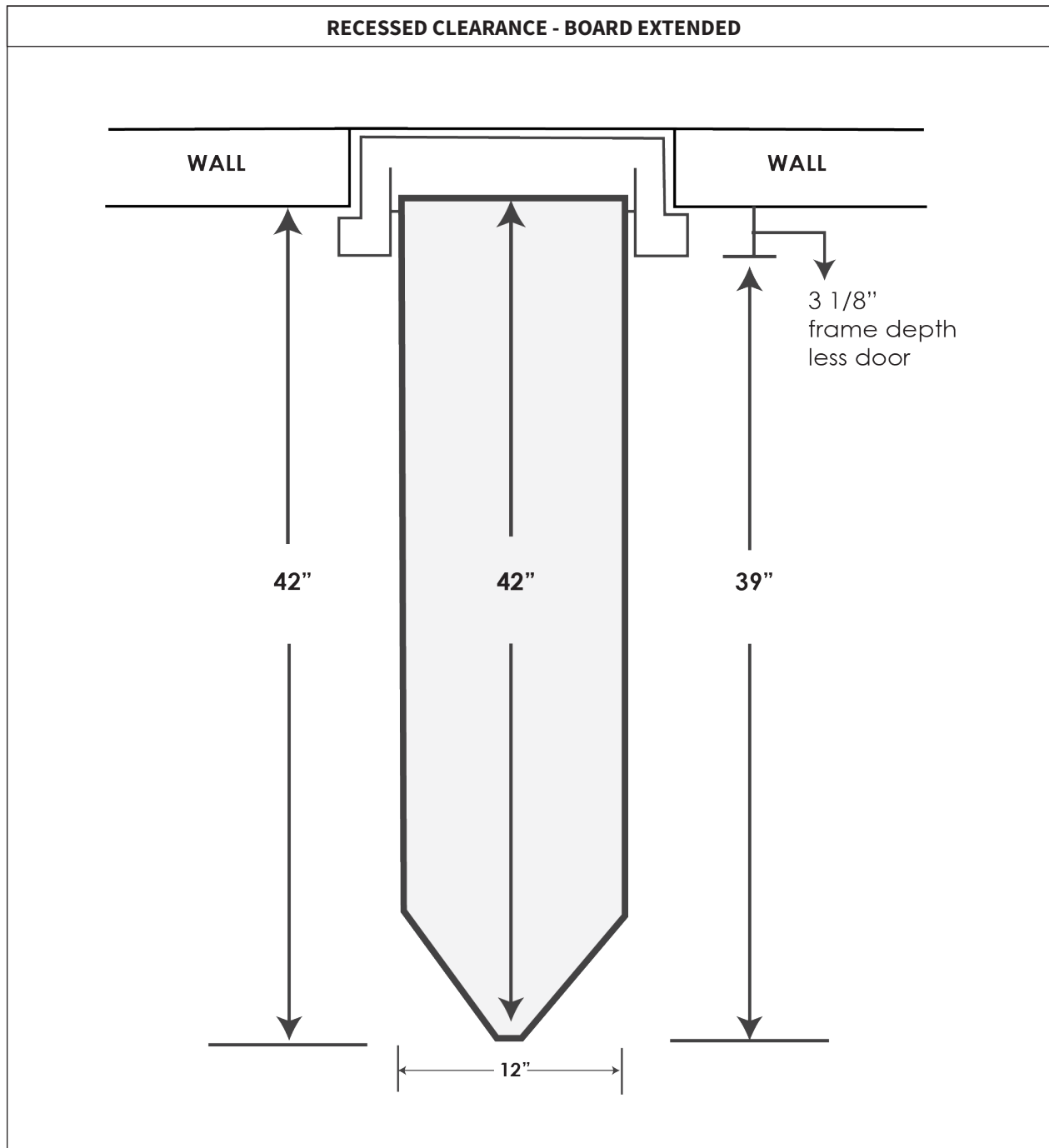
### Installation Types

#### *Recessed*

Placed into the wall, between 16" on center studs, protruding 3 7/8" into the room. It is recommended to attach a 2" x 4" cleat to studs, level with bottom of the opening to support cabinet when installing.

#### *Surface Mount*

Installed directly onto the wall, with no cutout, centered and anchored on secure stud. Will protrude 7 3/4" into room. Optional surface mount kit is available to finish sides of unit and recommended for complete installation.



## **Items to Note - Continued:**

### **Recommended Standing Room Clearance**

Be sure to check that you have adequate standing space (at least 24") to stand beside the ironing board to iron.

### **Installation Heights**

Use the provided **Installation Height Chart** on page 1 to determine your desired ironing board height.

### **Door**

Ironing center comes standard with a flat maple veneer door and a variety of additional door options. Door opens approximately 180°, flush against the wall. Please be sure to allow 16" to the side of unit for the door to open fully open.

### **Hinge Side**

Unit comes standard with the hinge on the right. A left side hinge can be requested when placing order.

### **Unfinished Cabinet**

The exterior of the cabinet is unfinished and ready to be painted or stained to match existing decor.