



Surface Mount Fixed Position Non-Electric Ironing Center | IAW-42

Product Specification Packet

February 2021

Product Dimensions

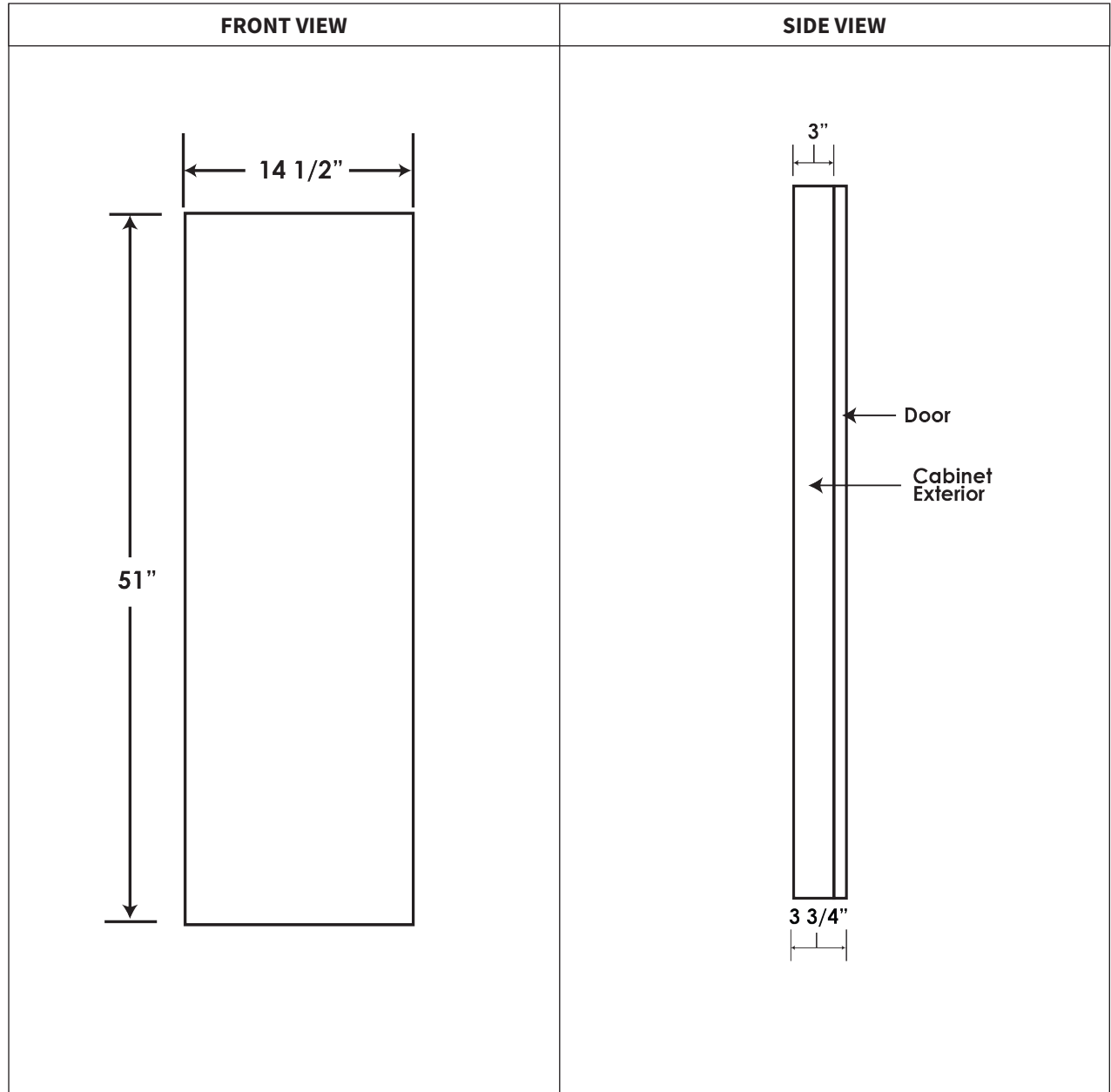
OVERALL SIZE	
Cabinet Height	51"
Cabinet Width	14 1/2"
Cabinet Depth*	3 3/4"
Door Size	51" H x 14 1/2" W x 3/4" D
ROUGH-IN OPENING**	
Height	51"
Width	14 1/2"
Depth*	3 3/4"
DEPTH INTO ROOM	
Surface Mount*	3 3/4"
Recessed**	Custom

* Depth includes door

** Recessing model IAW-42 is considered a custom installation & requires special Blum hinges (sold separately)

Installation Heights

MOUNTING HEIGHT ABOVE FLOOR	DESIRED IRONING HEIGHT
29"	36"
28"	35"
27"	34"
26"	33"
25"	32"



Board Clearance Requirements

Minimum required space for the ironing board to lower completely.

	SURFACE MOUNT	RECESSED MOUNT**
1. Clearance from Wall to Tip of Board	43 1/3"	40 1/4"
2. Hinge Side Clearance for 180° Degree Door Swing	16"	16"

*** Recessing model IAW-42 is considered a customer installation & requires special Blum hinges (sold separately)*

For Further Review

1. Space required for board to come down flat

To ensure a flat and level ironing surface, be sure to that you have a full 43 1/3" in front of the desired installation location when surface mounting. When doing a custom, recessed application, ensure there is 40 1/4" clearance.

2. Recommended 16" on hinge side for full 180° door swing

While not required, we recommend 16" on hinge side to allow the door to open fully against the wall, ensuring optimal standing area when ironing.

Items to Note:

Recommended Standing Room Clearance

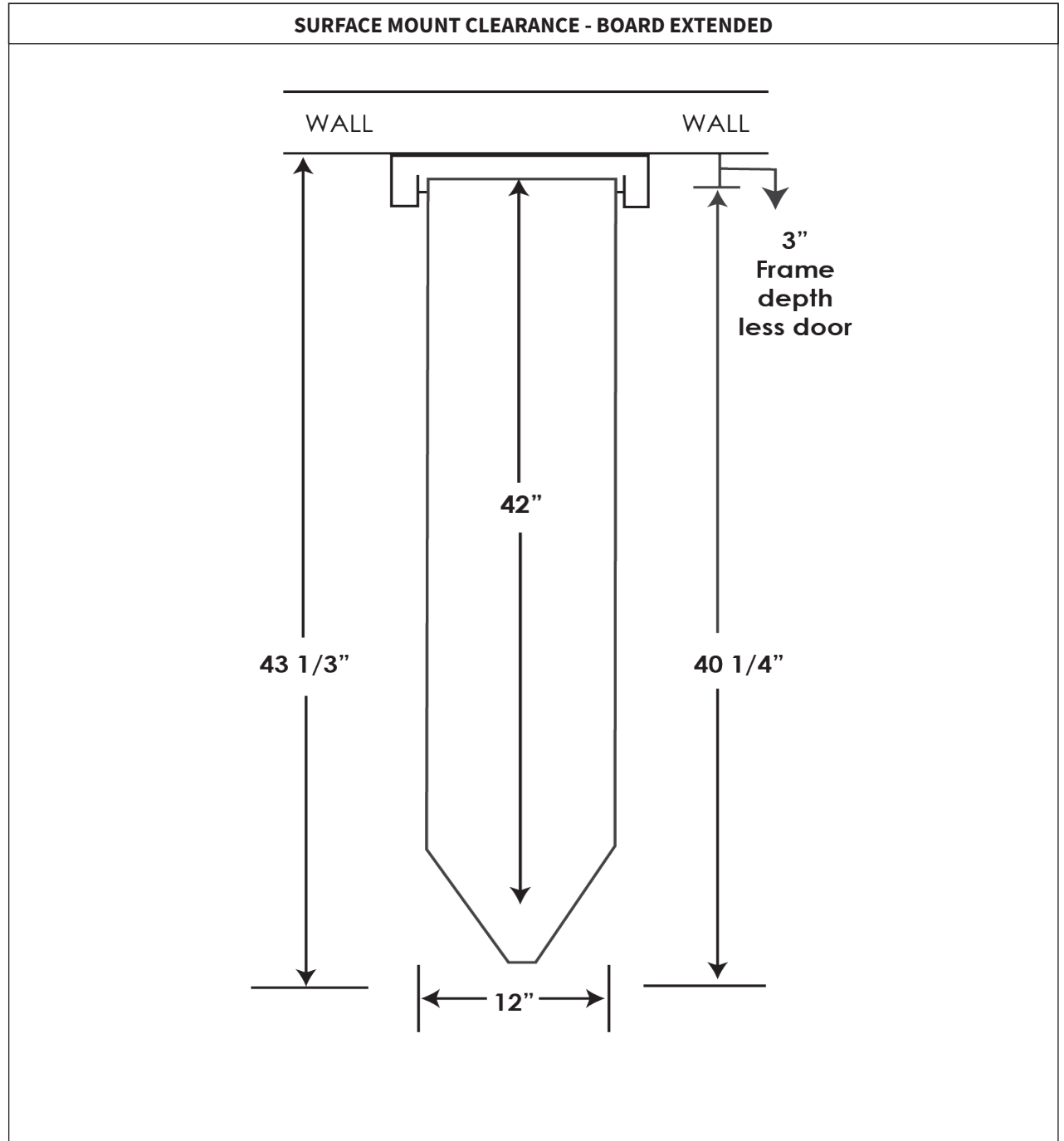
Be sure to check that you have adequate standing space (at least 24") to stand beside the ironing board to iron.

Installation Heights

Use the provided [Installation Height Chart](#) on page 1 to determine your desired ironing board height,

Hinge Side

Unit comes standard with the hinge on the right. A left side hinge can be requested when placing order.



Items to Note - Continued:

Installation Types

Surface Mount

Installed directly onto the wall, with no cutout, centered and anchored on secure stud. Will protrude 3 3/4" into room.

Recessed

Considered a custom application, recessing the IAW-42 for a flush mount application is entirely dependent on the location being used and the hinges. Recessed applications require trim or finishing of rough wall edges as ironing center does not include a face frame.

Blum Hinges are **required for a complete flush mount** installation and can be requested at time of order.

To use the standard piano hinge, ironing center must protrude 1 1/2" into the room for the hinge to work properly.

Door

Ironing center comes standard with a flat maple veneer door and a variety of additional door options. Door opens approximately 180°, flush against the wall. Please be sure to allow 16" to the side of unit for the door to open fully open.

Unfinished Cabinet

The exterior of the cabinet is unfinished and ready to be painted or stained to match existing decor.

When ordered with a Flat White Door the cabinet exterior will also be finished in a white melamine.