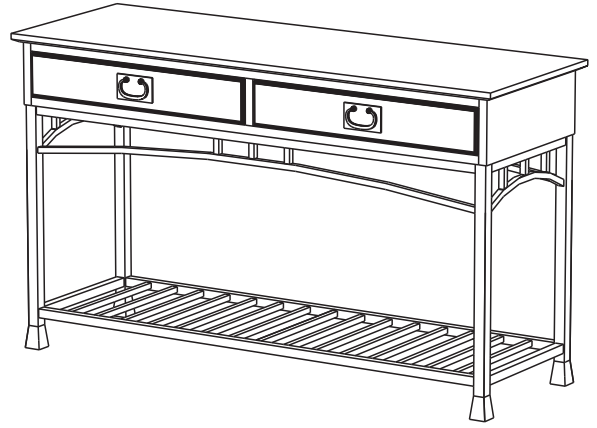


# Console Table



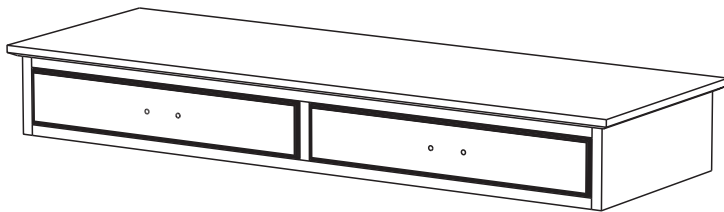
## IMPORTANT

Carefully remove all the parts from the carton and place them individually on a soft cloth to prevent scratches or other damage.

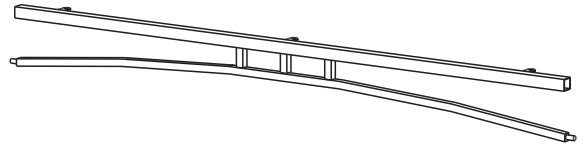
Carefully and strictly follow these assembly instructions to ensure a completed product as designed.

Do not use power tools above 8 volts to assemble.

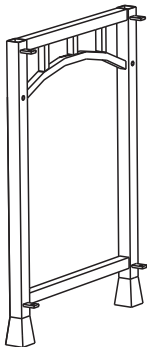
## Part List



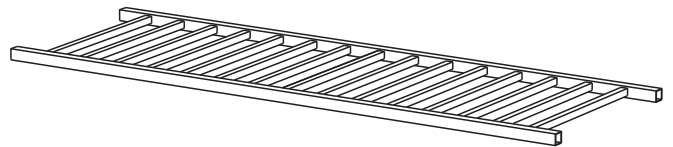
A.  
Cabinet  
1 pc.



B.  
Stretcher  
2 pcs.

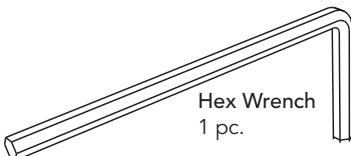


C.  
Side Frame  
2 pcs.

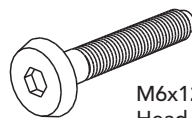


D.  
Shelf  
1 pc.

## Hardware List



Hex Wrench  
1 pc.



M6x12  
Head Cap Bolt  
8 pcs. (+1 extra)



Spring Washer  
8 pcs. (+1 extra)



Small  
Hex Wrench  
1 pc.



Flat Washer  
8 pcs. (+1 extra)



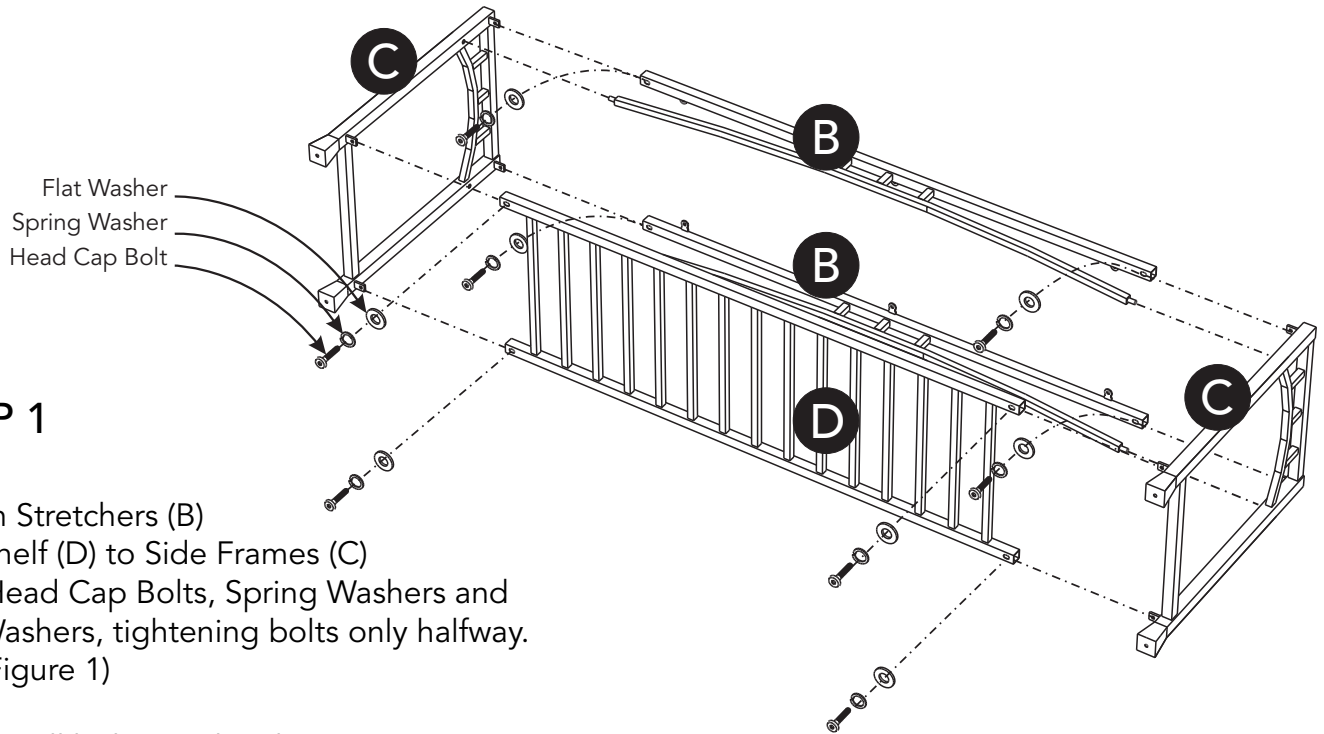
M4x12  
Wood Screw  
6 pcs. (+1 extra)

Tool(s) required for assembly: Phillips screwdriver, Level

# Assembly Instructions 2/4

## IMPORTANT

- Use a soft cloth between these parts and the floor.
- Do not use power tools above 8 volts to assemble.
- Do not tighten all the bolts until each part is properly assembled.
- Keep Hex Wrench as the bolts may need to be tightened in the future.



## STEP 1

Attach Stretchers (B) and Shelf (D) to Side Frames (C) with Head Cap Bolts, Spring Washers and Flat Washers, tightening bolts only halfway. (See Figure 1)

Tighten all bolts used in this step.

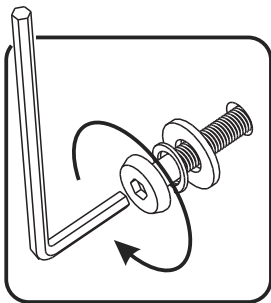


Figure 1

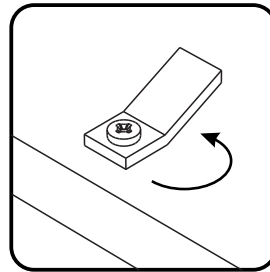
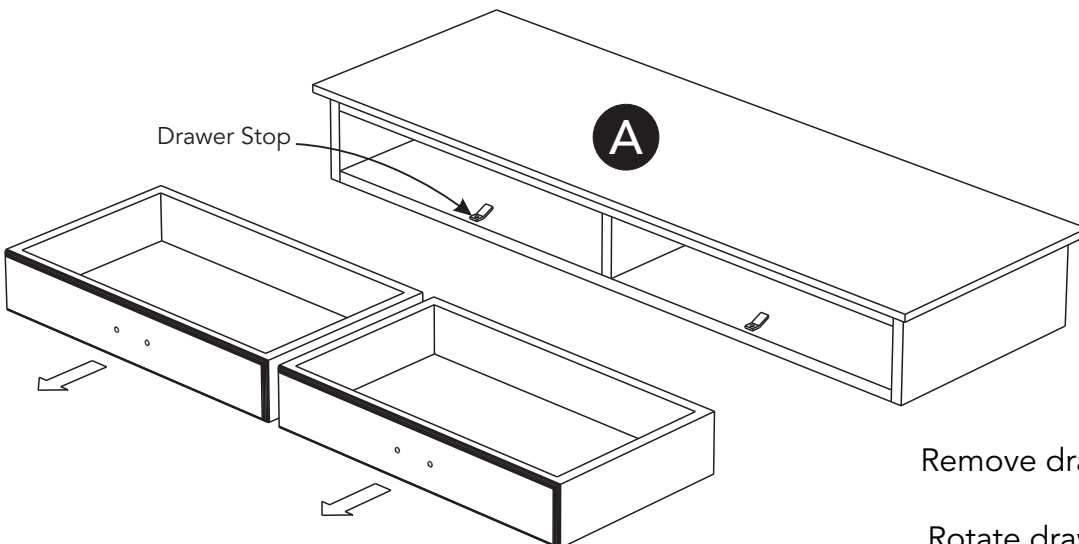


Figure 2



## STEP 2

Remove drawers from Cabinet (A).

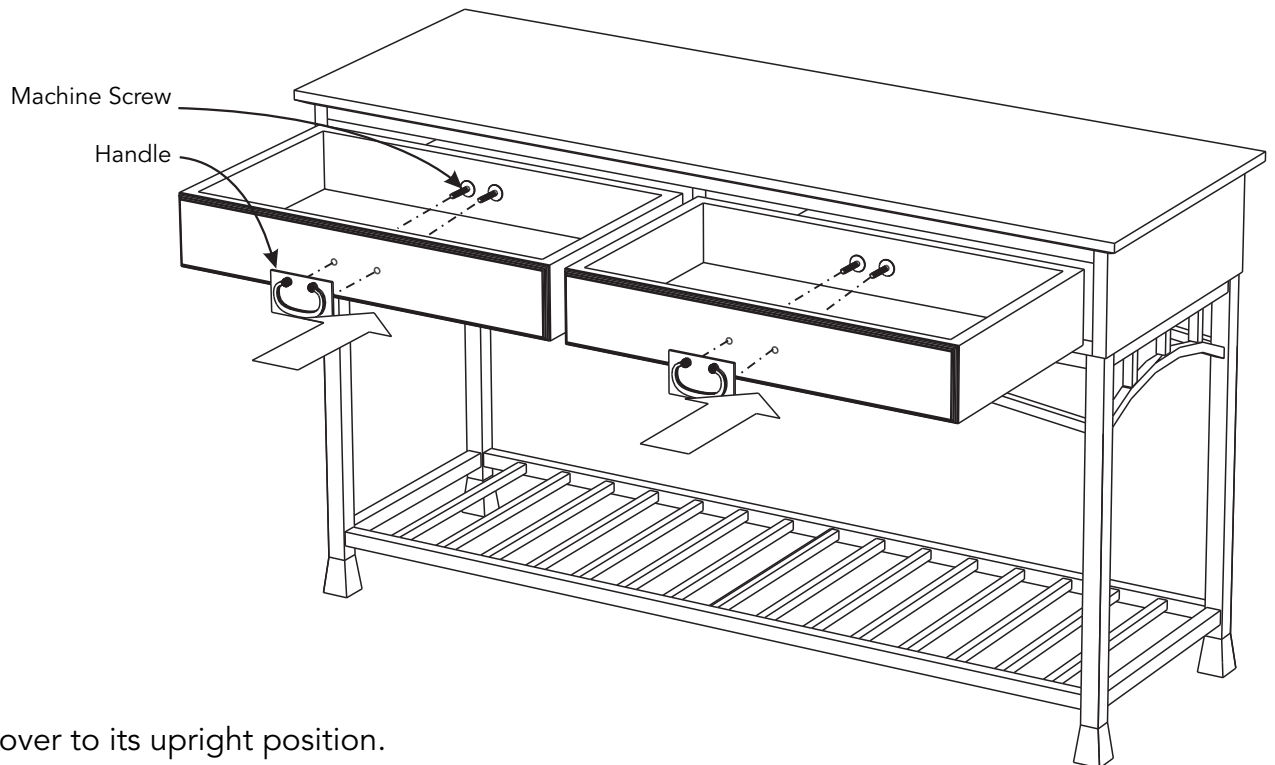
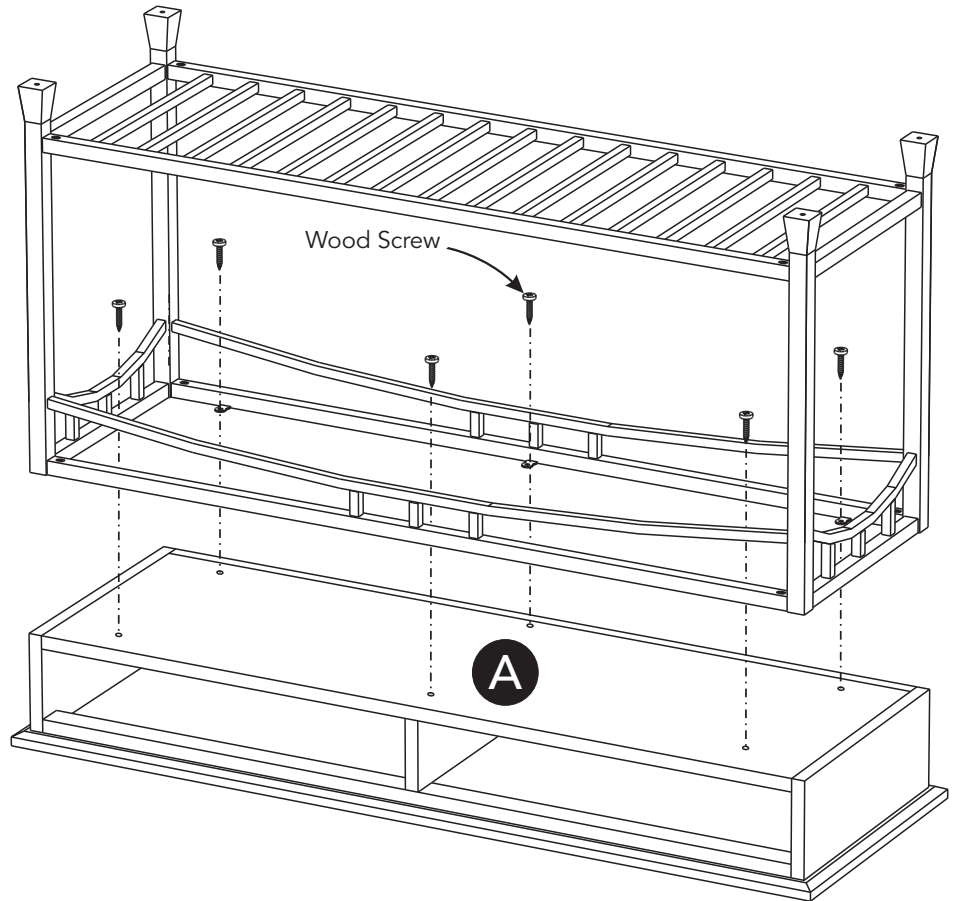
Rotate drawer stops into position. (See Figure 2)

## Assembly Instructions 3/4

### STEP 3

Place Cabinet (A) upside down on a soft cloth.

Attach unit from Step 1 to Cabinet (A) with Wood Screws.



### STEP 4

Turn unit over to its upright position.

Remove handles on inside of drawers and attach to outside of drawers with machine screws.

Slide drawers into position.

# Assembly Instructions 4/4

## IMPORTANT

• To help reduce the risk of the unit tipping over, the Tipover Restraint must be installed following these instructions exactly.

## STEP 5

Place unit at desired location.

Drill a 3/8" hole in wall in-line with bottom of back center upright of unit.

Move unit.

Insert Anchor into the wall hole and attach Bracket with Wall Screw.

Move unit back into place.

Slide Tipover Restraint through Bracket on wall and around back center upright of unit. (See Figure 4)

Put tie end of Tipover Restraint into lock end of Tipover Restraint and pull until tight.

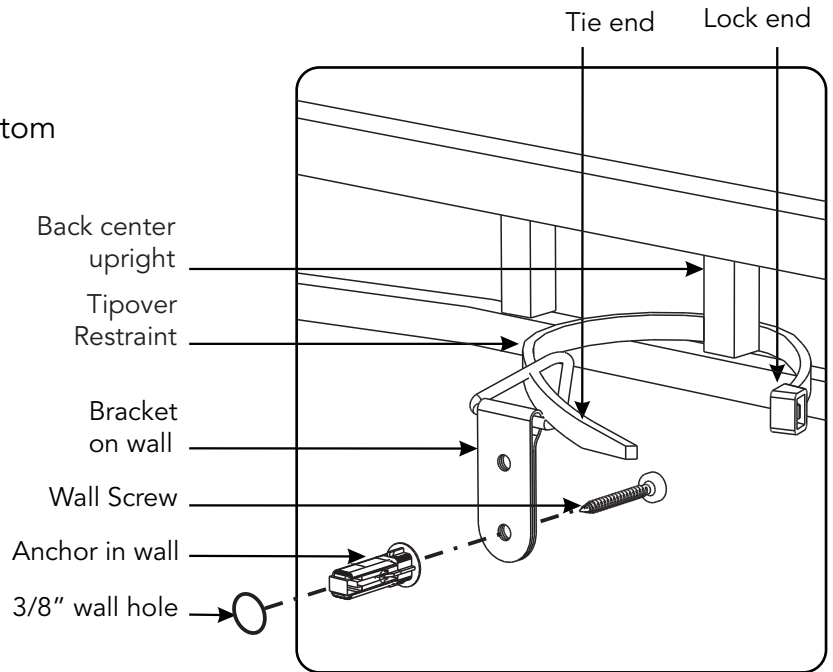
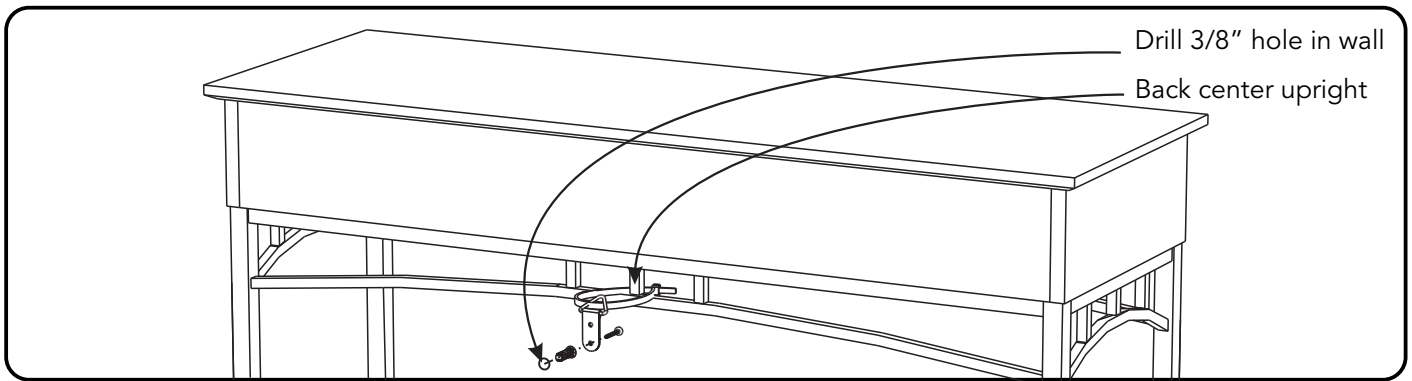
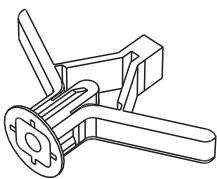


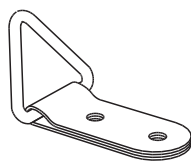
Figure 4



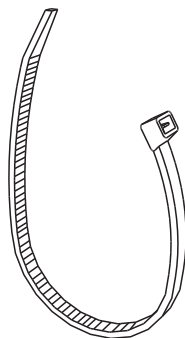
## Hardware List



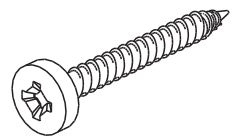
Anchor  
1 pc. (+1 extra)



Bracket  
1 pc. (+1 extra)



Tipover Restraint  
1 pc. (+1 extra)



M3.5x40  
Wall Screw  
1 pc. (+1 extra)

# CARE INSTRUCTIONS

## NEVER

allow liquids to remain on furniture.  
Absorption causes parts to warp  
and split and finishes to delaminate.

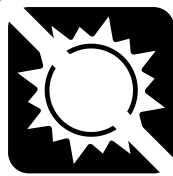
## NEVER

use glass cleaners on  
finished furniture. Ammonia  
chemically attacks the finish.



Do not use power tools  
above 8 volts to assemble.

**PREVENT  
CRACKING**



Do not place  
in direct sunlight.

**PREVENT  
FADING**



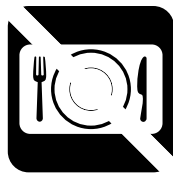
Do not write  
directly on surface.

**PREVENT  
MARKING**



Do not place hot  
objects on surface.

**PREVENT  
FINISH DAMAGE**



Do not use rubber  
based placemats.

**PREVENT  
DISCOLORING**



Do not use commercial  
waxes and polishes.

**PREVENT  
YELLOWING**

## CLEAN

with a soft cloth moistened  
in lukewarm soap and water.  
Buff with a dry clean cloth.



**homestyles** will provide replacements free of charge for missing or damaged parts within 1 year of purchase. Digital images of the defective parts may be required. If the product was not purchased from an authorized retailer, **homestyles** is under no obligation to provide replacement parts. Parts are not available for fully assembled items nor are parts available for sale. Replacements for missing or damaged parts may be requested via contact info below.

**homestyles** Customer Service: [www.homestylesfurniture.com](http://www.homestylesfurniture.com),  
[servicedesk@homestylesfurniture.com](mailto:servicedesk@homestylesfurniture.com), 888-680-7460