

## Pull-out Table Systems

**Rapid pull-out table**, cantilever  
600 mm (23 5/8") wide cabinets  
Load capacity: **100 kg (220 lbs.)**  
(for evenly distributed loads)

- consisting of:
- housing with tabletop
  - 4 telescopic guides
  - front panel

Finish: wood  
tabletop: with Melamine plastic coating,  
white/gray dotted with pale  
colored spots  
telescopic guides: beech

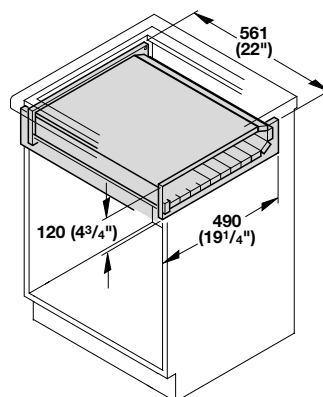
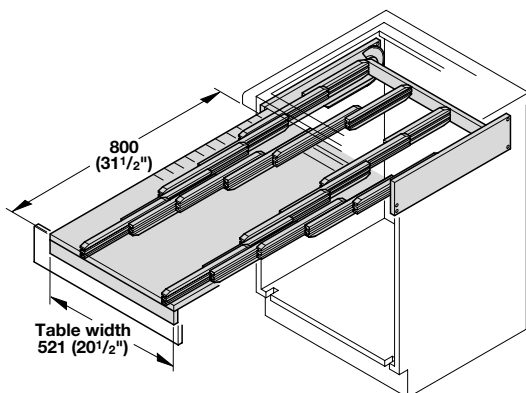
Cat. No. 505.58.703

Packing: 1 pc.



### Advantages

- A drawer front panel can be screw-mounted directly onto the table front panel
- The system can be subsequently installed in place of a drawer or between two cabinets
- Once installed the fitting is not visible



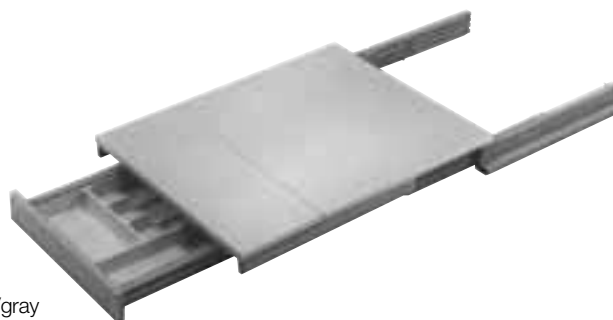
**Kombi-Rapid pull-out table**, cantilever  
600 mm (23 5/8") wide cabinets  
Load capacity: **80 kg (176 lbs.)**  
(for evenly distributed loads)

- consisting of:
- housing with tabletop and extension leaf
  - 2 telescopic guides
  - drawer with cutlery insert

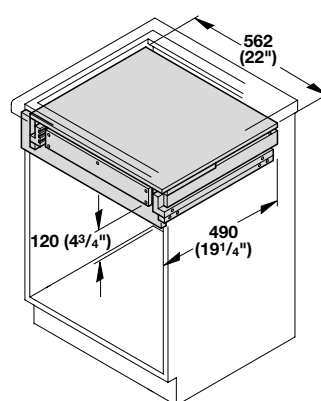
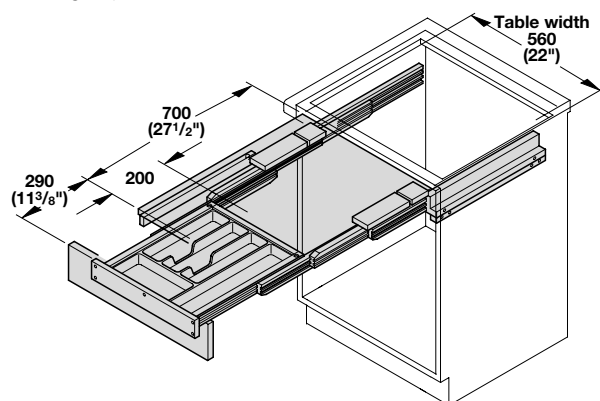
Finish: wood  
tabletop: Melamine laminated white/gray  
dotted with pale colored spots  
cutlery insert: plastic 500 x 400 mm  
telescopic guides: beech

Cat. No. 505.58.713

Packing: 1 pc.



The drawer with the cutlery insert can be used in both closed or extended positions.



Kitchen Accessory  
Systems

**5**



Bio-Fix™ products from Häfele.

Dimensional data not binding.  
We reserve the right to alter  
specifications without notice.

Dimensions in mm  
Inches are approximate