

6

5

4

3

2

1

E

D

C

B

A

F

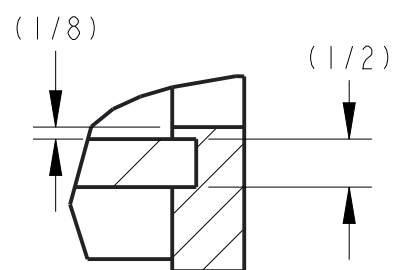
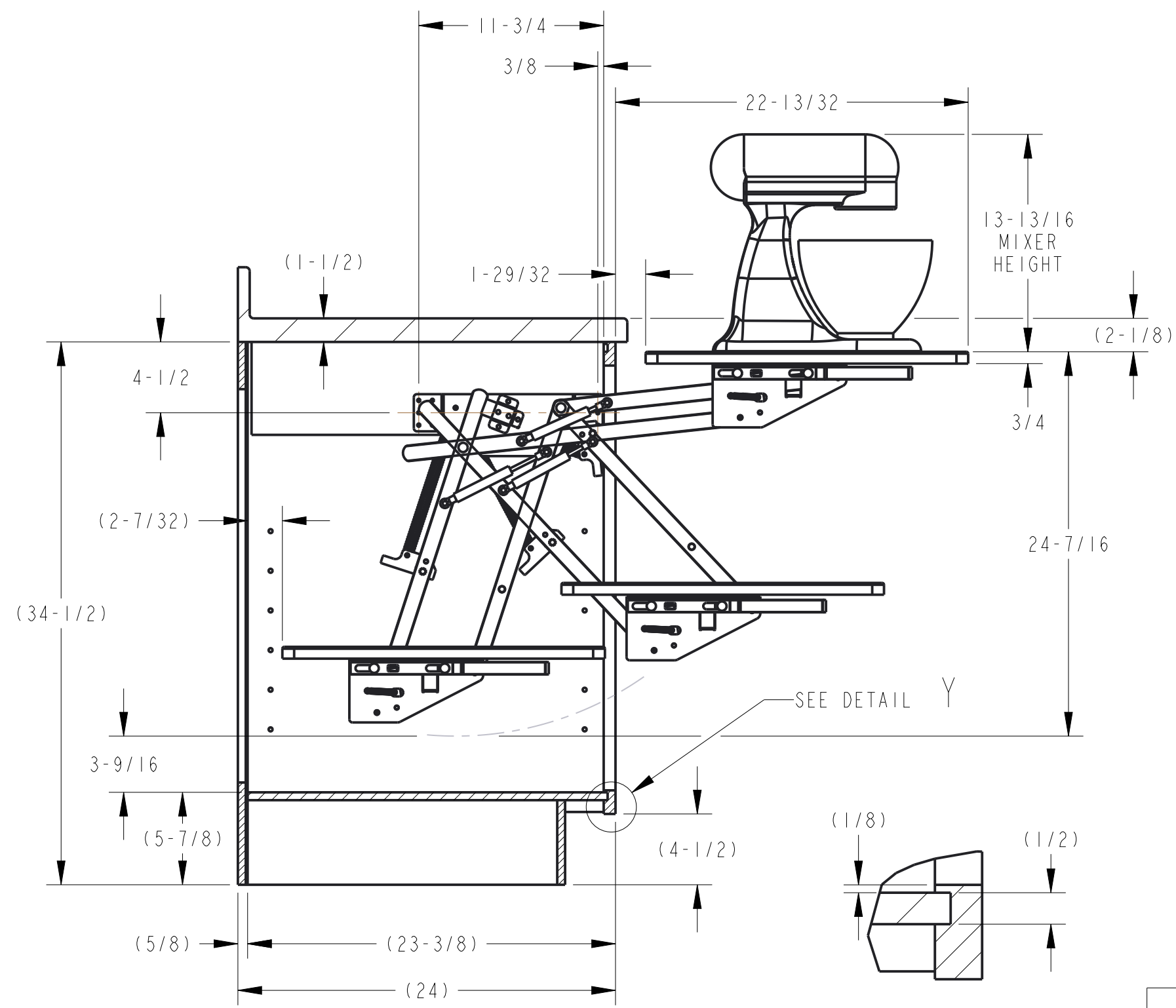
E

D

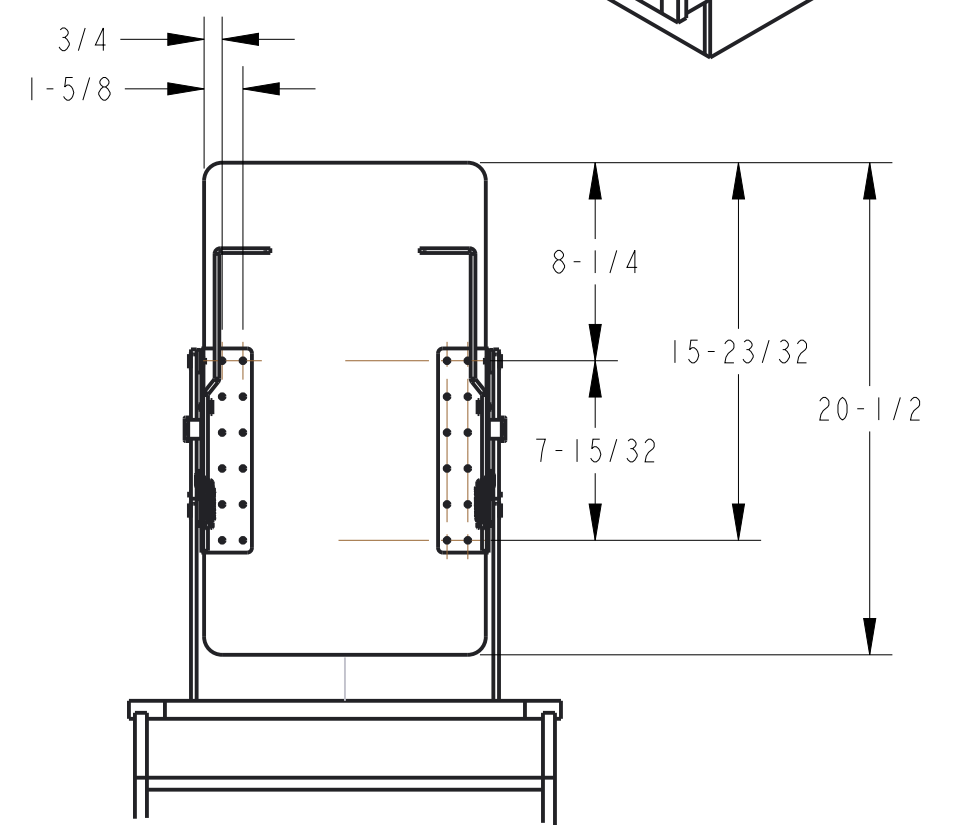
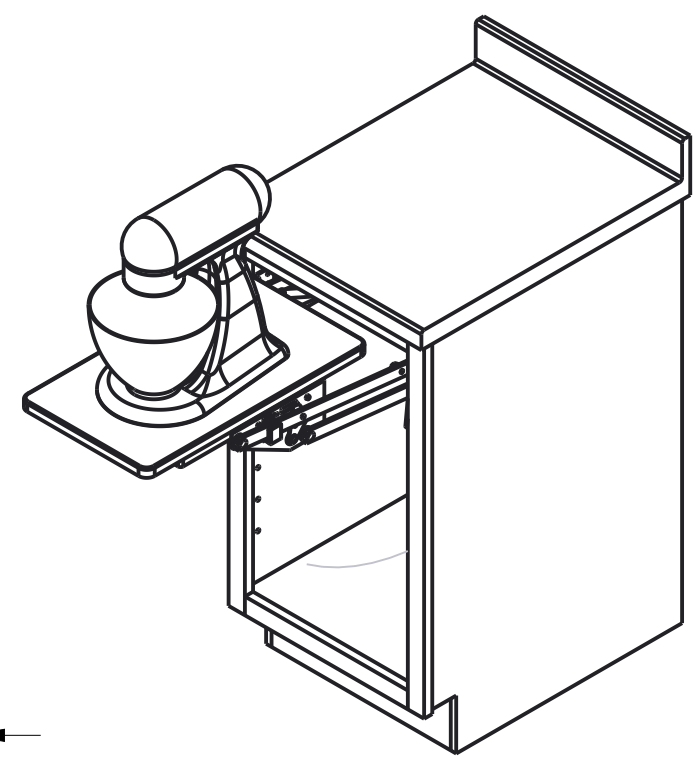
C

B

A



DETAIL Y
SCALE 1:2



DOCUMENT STATUS Released

HARDWARE RESOURCES RESERVES THE RIGHT TO CHANGE SPECIFICATIONS WITHOUT NOTICE.
IN CASE OF A DISCREPANCY, ACTUAL PART GEOMETRY SUPERSEDES THIS DOCUMENT.

THE INFORMATION CONTAINED WITHIN THIS DRAWING IS THE SOLE PROPERTY OF HARDWARE RESOURCES INC. ANY REPRODUCTION IN PART OR WHOLE WITHOUT WRITTEN PERMISSION OF HARDWARE RESOURCES INC. IS PROHIBITED.

THIRD ANGLE PROJECTION 		hardware resources		
MATERIAL -	FINISH -			
DRAWN BY J. CORLESS	DATE 13FEB17	DRAWING NUMBER ML-ICH		REV A
DESIGNED BY SOURCED	DATE n/a	SIZE A3	SCALE 1:8	SHEET 1 / 2
APPROVED BY A.CHEN	DATE 13SEP17			

8

7

6

5

4

3

2

1

E

D

C

B

A

F

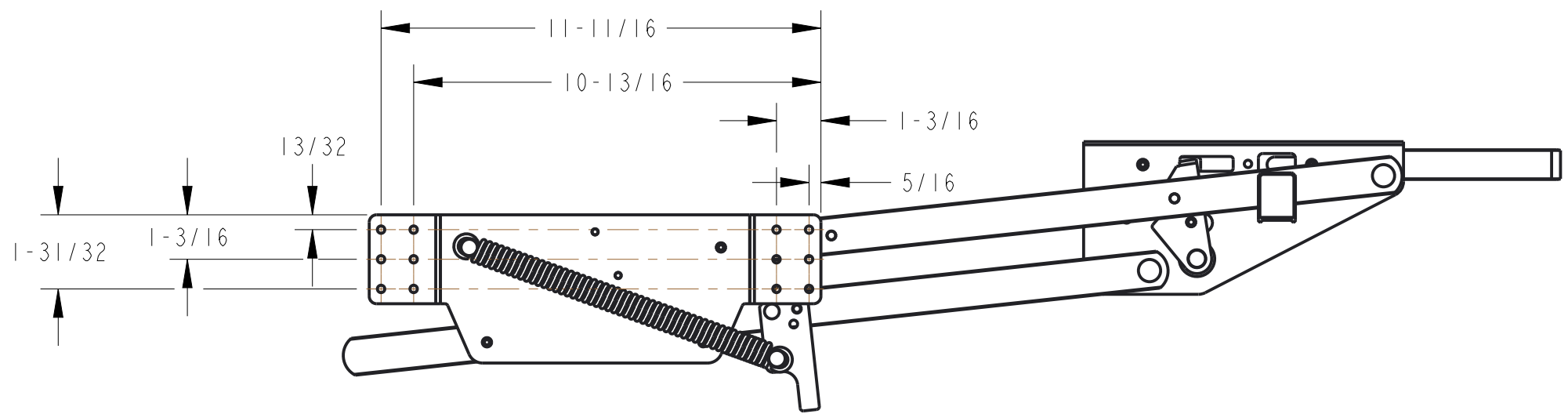
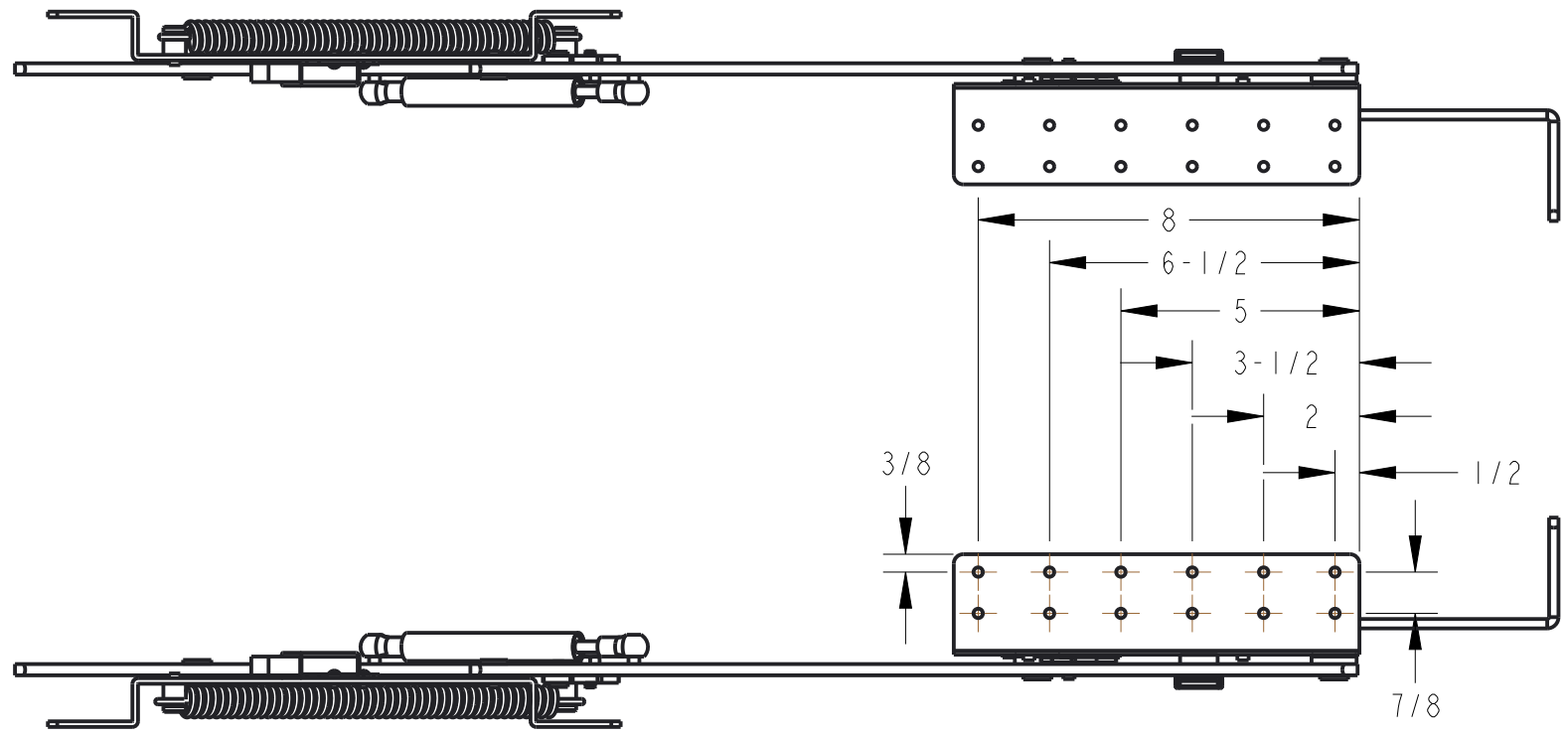
E

D

C

B

A



DRAWING NUMBER		REV
ML-1CH		A
SIZE	SCALE	SHEET
A3	1:8	2 / 2
DOCUMENT STATUS		Released

8 7 6 5 4 3 2 1