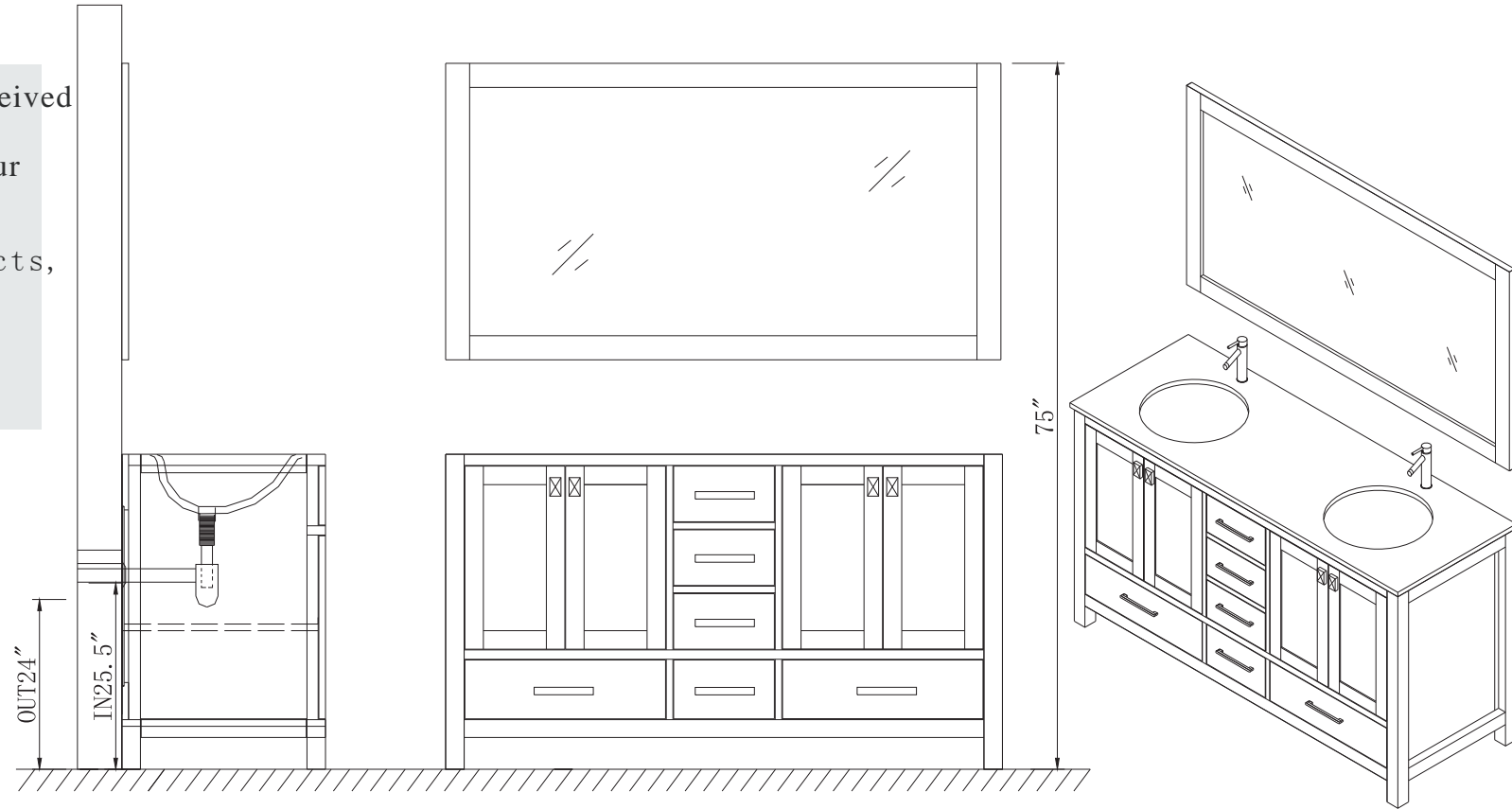
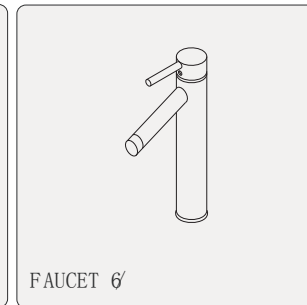
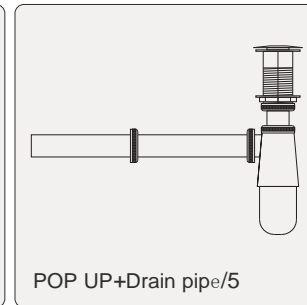
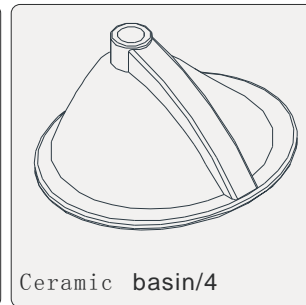
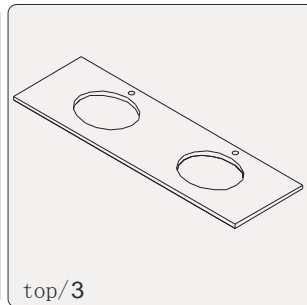
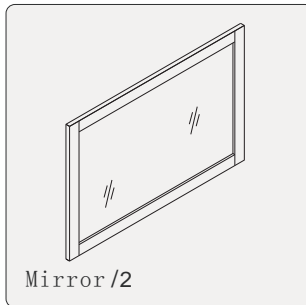
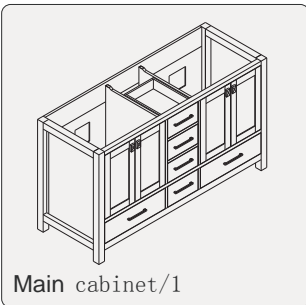


- Prior to installation please check received items against the Packing List. Please report any missing items to your local dealer immediately.
- Protect all surfaces from sharp objects, high heat sources, direct prolonged sunlight and chemical hazards.
- Professional installation recommended.



PACKING LIST

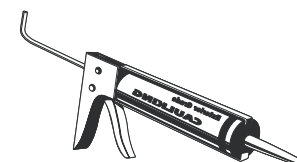
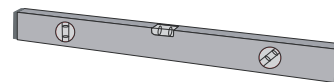
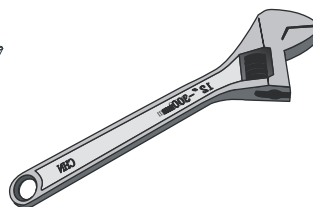
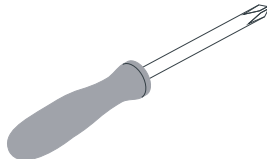
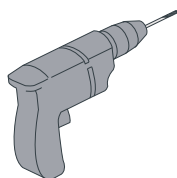
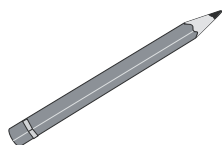
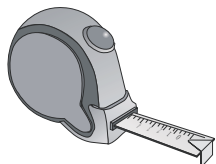


SKU:KD-60072

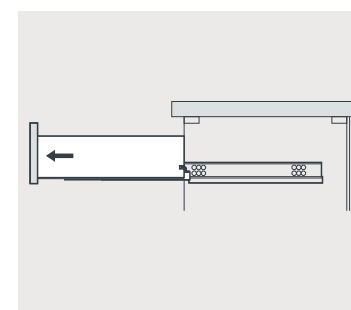
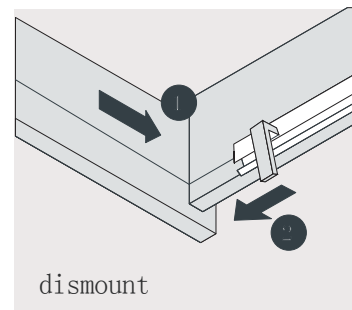
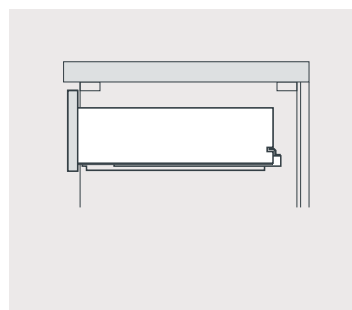
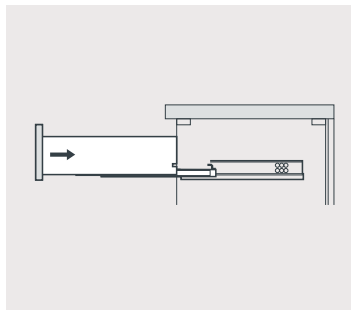
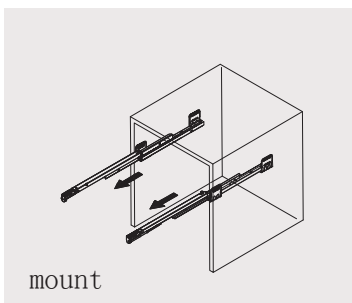
SIZE:1808x550x850m

PROHIBIT COPY

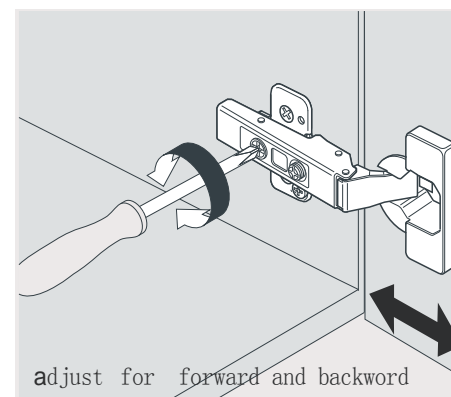
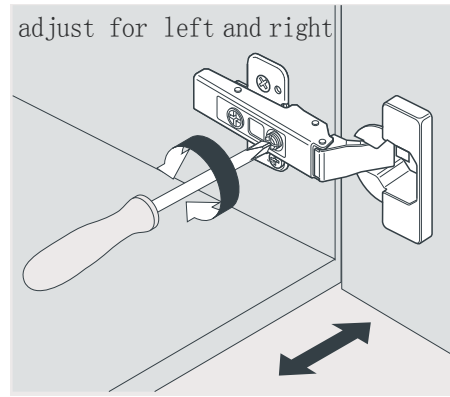
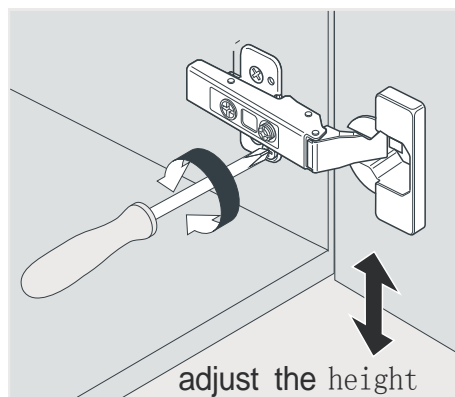
REQUIRED TOOLS



DRAWER SLIDER ATTACHMENT AND DETACHMENT



INSTALLATION AND ADJUSTMENT OF HINGES



INSTALLATION PROCESS

