



INSTALLATION INSTRUCTIONS

Confidential : A

SKU : MD-423

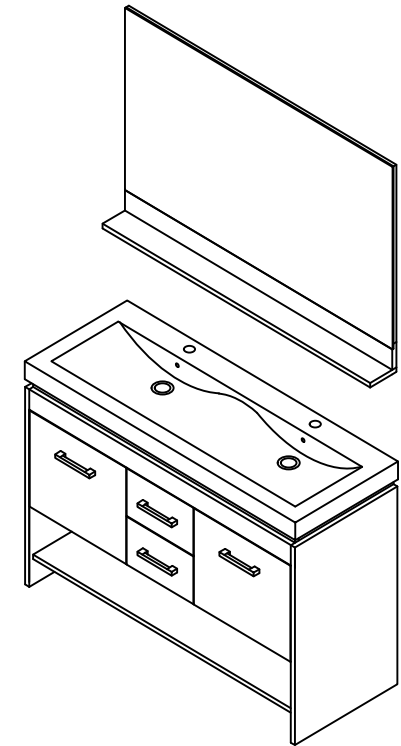
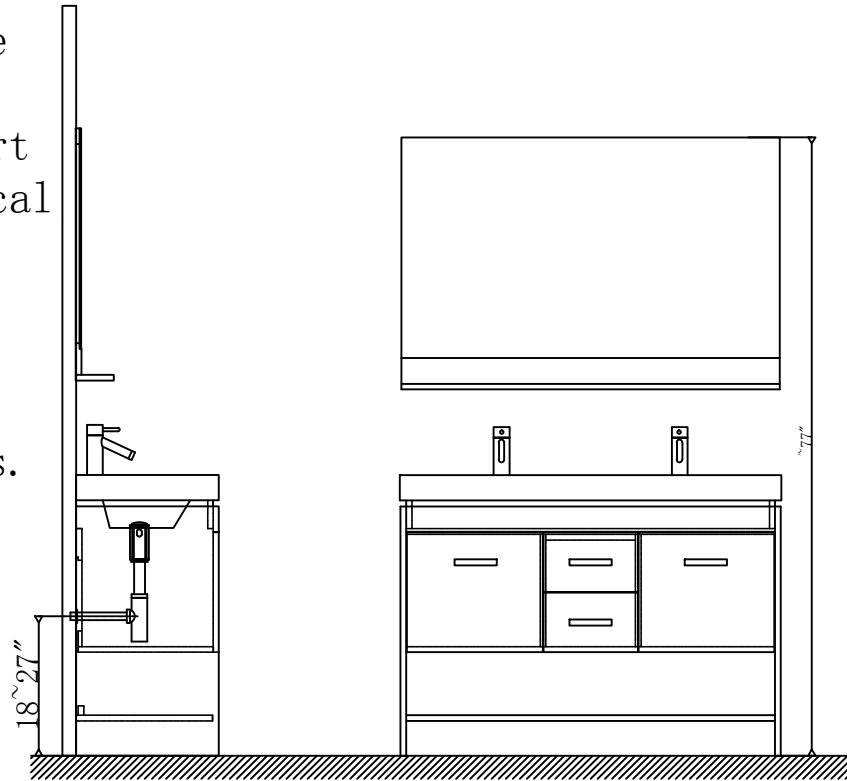
SIZE:1206x453x810

PROHIBIT COPY

.Prior to installation please check received items against the Packing List Please report any missing items to your local dealer immediatelo.

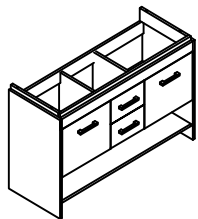
.Protect all surfaces from sharp objects,high heat sources,direct prolonged sunlight and chemical hazards.

.Professional installation recommended.

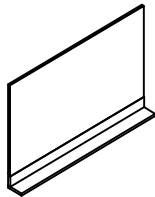


PACKING LIST

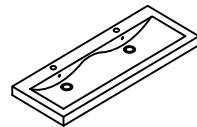
1.Main cabinet



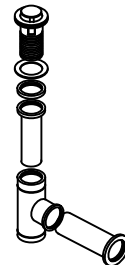
2.Mirror



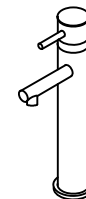
3.Ceramic basin



4.Pop up+Drain pipe



5.Faucet



6.Screws



7.Install screw





# INSTALLATION INSTRUCTIONS

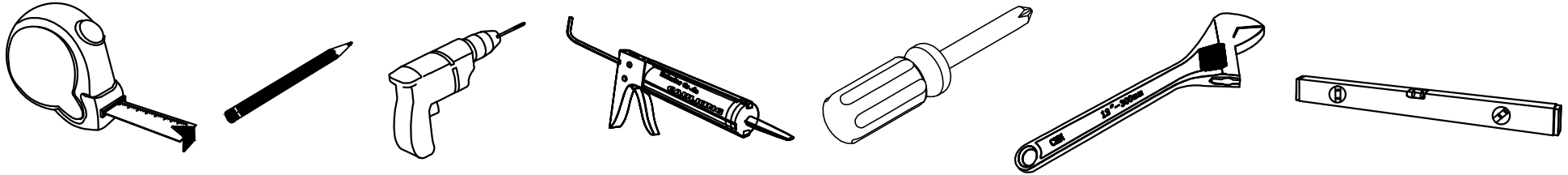
Confidential : A

SKU : MD-423

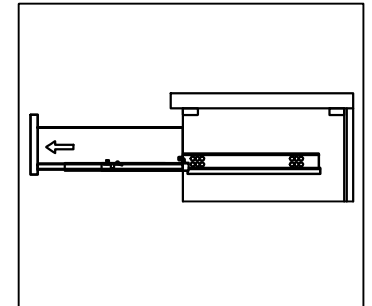
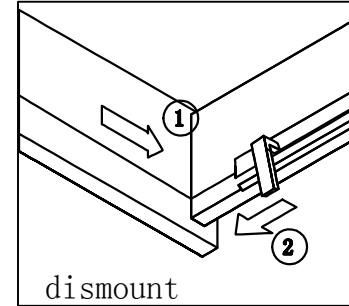
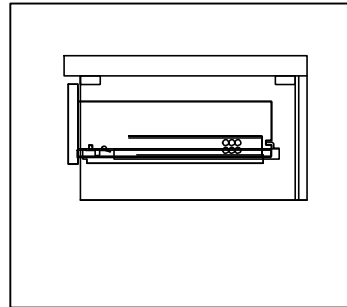
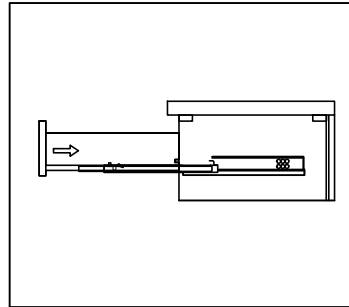
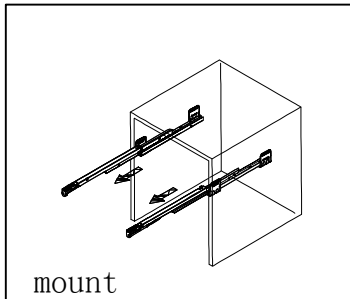
SIZE:1206x453x810

PROHIBIT COPY

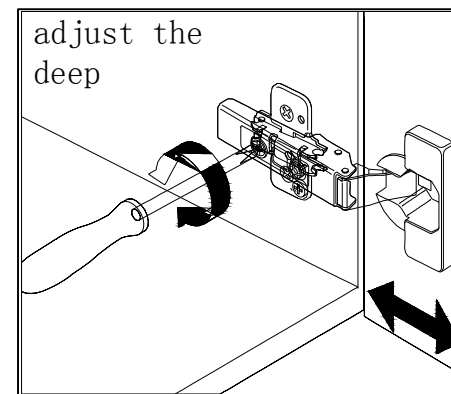
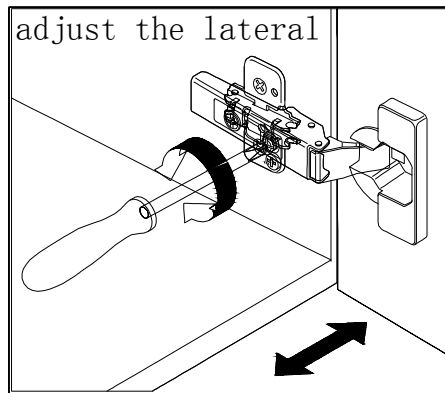
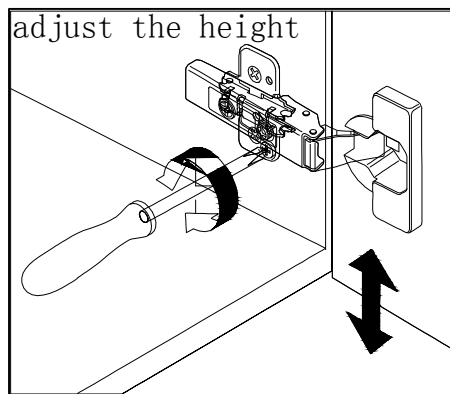
## REQUIRED TOOLS

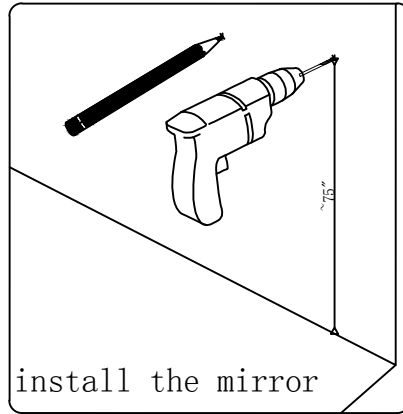


## DRAWER SLIDER ATTACHMENT AND DETACHMENT

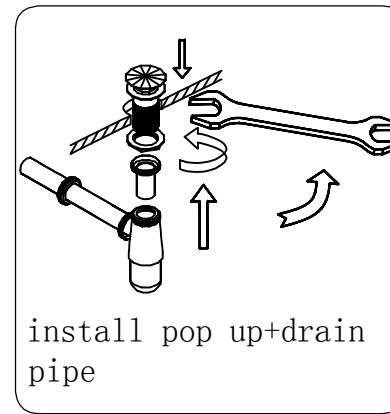
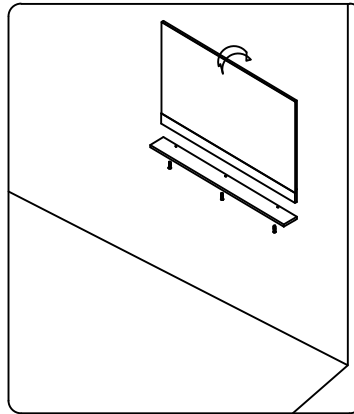
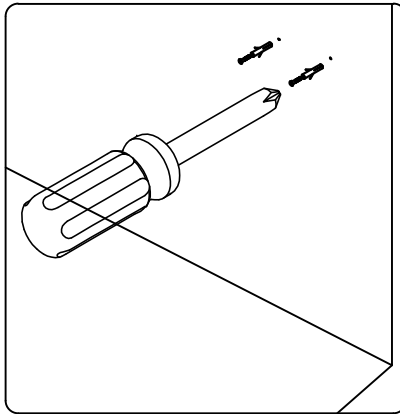


## INSTALLATION AND ADJUSTION OF HINGE

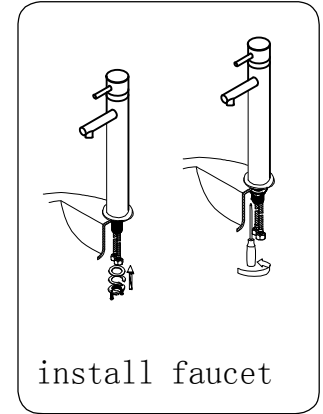




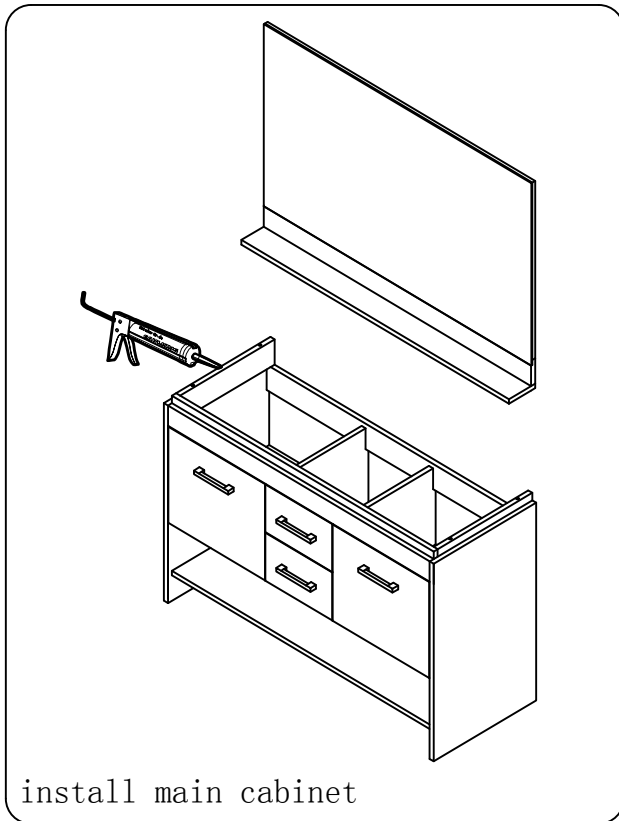
install the mirror



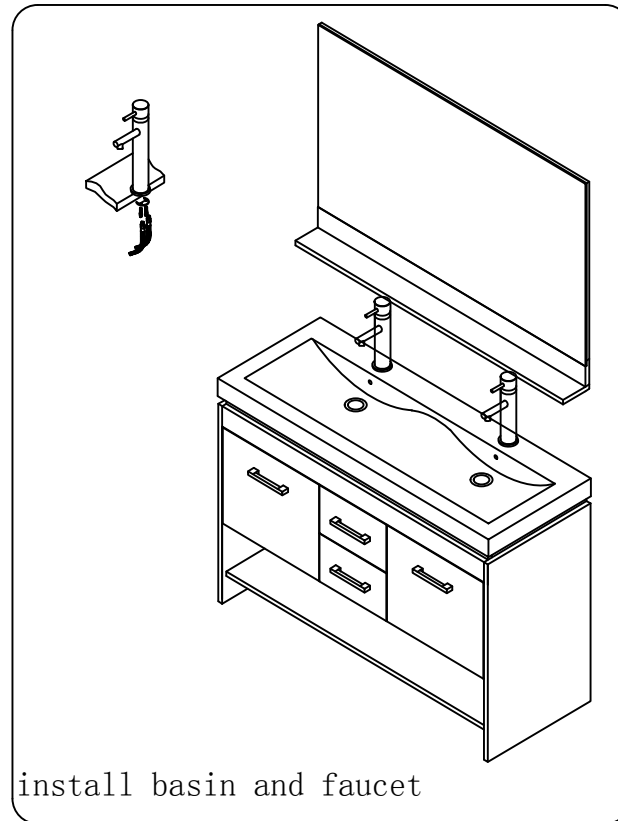
install pop up+drain pipe



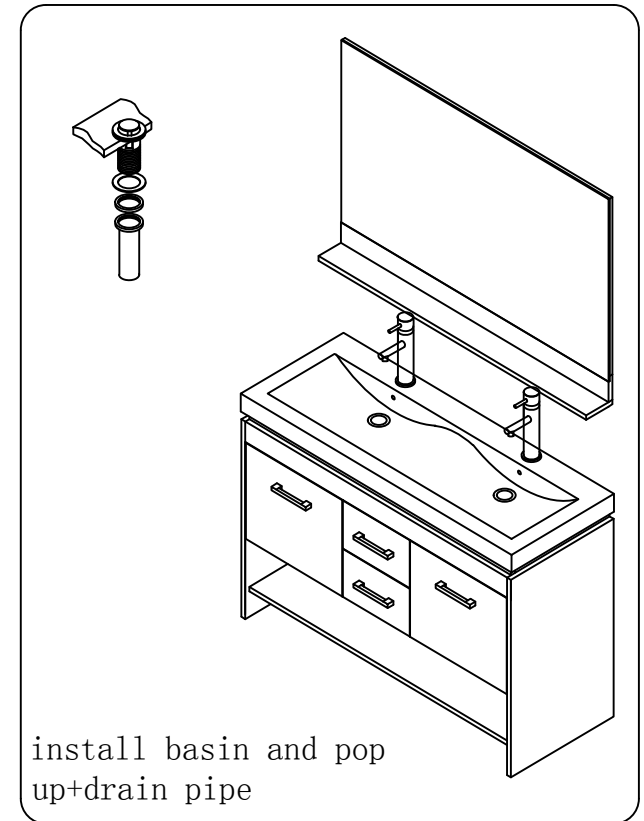
install faucet



install main cabinet



install basin and faucet



install basin and pop up+drain pipe